

2018

PRODUCT CATALOGUE

PIPE & CONTAINMENT SYSTEMS
SERVICE STATION HARDWARE

 Franklin Fueling Systems



CREATE EFFICIENCIES SPEED INSTALLATIONS REDUCE COSTS



Our product systems are designed to create efficiencies and user benefits beyond those of standalone products. Check out these examples of how our system solutions can help your business.

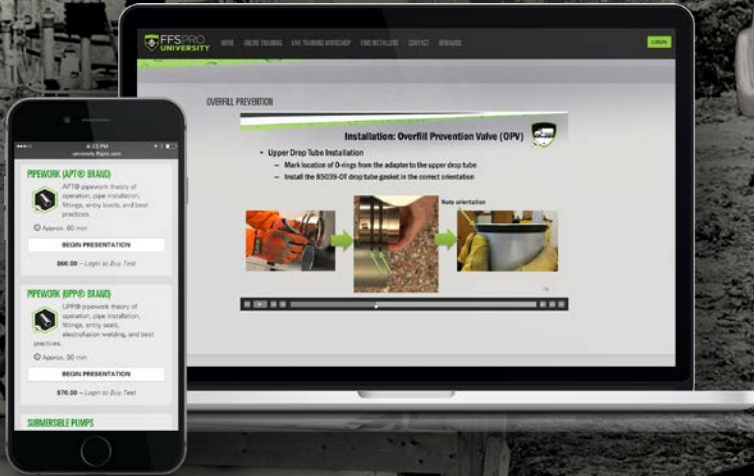
TOTAL SYSTEM
SOLUTIONS



Franklin Fueling Systems

go.franklinfueling.com/total-system-solution

TRAINED CERTIFIED READY TO WORK



Introducing the industry's premier training, certification, and resource tool for installation professionals. FFS PRO: University is your go-to source for installation safety education, best practices, and product training. It's about being safe. It's about staying educated. It's about getting the job done right.



university.ffspro.com

WORK JUST GOT A LITTLE EASIER



It's a handy quick reference tool full of all the calculations and install tips installers need on the job site - plus plenty of pages for their own Notes. What's more, it's completely FREE - no sign-up form, no strings. Just go to our Literature Order Page and we'll send them to you.

go.franklinfueling.com/forecourt-guide

 **Franklin Fueling Systems**

QUOTE LIKE A PRO



 **FFS PRO**
SITE BUILDER

The industry's most powerful quoting tool.
Our new FFS PRO: Site Builder will have you quoting a complete site like a pro in no time. The intuitive user interface guides you through the process of quoting a site including a full bill of materials, pricing, and a site drawing.

FUEL MANAGEMENT SYSTEMS

Franklin Fueling Systems offers a complete line of inventory monitoring systems, providing users the capability to take complete control of fuel management. The complete range is ideal for monitoring inventory, environmental control and fuel management. Next generation technology from INCON® allows users to monitor tanks from any web browser.

SUBMERSIBLE PUMPING SYSTEMS

Franklin Fueling Systems submersible pumping systems provide faster fuel dispensing, improved efficiency and unmatched reliability. The FE Petro® brand industry-leading product design offers the highest performing submersible pumping systems available.

PIPING AND CONTAINMENT

Franklin Fueling Systems offers the most comprehensive line of piping and containment products in the industry. The UPP® brand features innovative technology and outstanding quality. With 30 years' worth of installations and a 100% leak-free performance record, Franklin Fueling Systems is the leading provider of fuel pipe.

DISPENSING SYSTEMS

Franklin Fueling Systems manufactures and markets a complete line of Stage II vapour recovery systems globally under the Healy™ product brand. Healy™ vapour recovery products suit any application and customise to any site, ensuring proper connection.

SERVICE STATION HARDWARE

Franklin Fueling Systems fuel station hardware products comprise a comprehensive and environmentally friendly system, including a complete biofuel approved system for E85 and biodiesel sold under the brands EBW® and Phil-Tite.

TRANSPORT SYSTEMS

Franklin Fueling Systems road tanker systems products make it easy to connect to loading terminals and underground storage tanks with our broad line of adapters, elbows and valves. Sold under the brand EBW®, these products cover both loading and off-loading applications. Our road tanker hardware products provide a wide range of connection options.

DEF/ADBLUE®

Franklin Fueling Systems offers a complete system of Diesel Exhaust Fluid (DEF) or AdBlue® compatible products all from a single manufacturer. Our system is designed together – to work together, resulting in unmatched system performance and an energy efficient means of keeping DEF from freezing at low temperatures.

About Us

Pipe & Containment

Semi-rigid Pipework System

- Electrofusion Pipework
- Gemini® Secondary Containment
- Double Wall Termination Fittings

UPP® Pipework System

- 32 mm 1" Primary
- 40x32 mm 1" Secondary Containment
- 50 mm 1½" Primary
- 63x50 mm 1½" Secondary Containment
- 63 mm 2" Primary
- 75x63 mm 2" Secondary Containment
- 90 mm 3" Primary
- 110x90 mm Secondary Containment
- 110 mm 4" Primary
- 125x110 mm Secondary Containment
- 160 mm 6" Primary

Wire management

- Cable-Tight™ Wire Management System
- 32 mm 1" Lined Electrical Conduit
- Electrical Conduit

Ducting

- UPP® 110mm 4"
- Fusion Ducted Entry Boot

Mechanical Entry Seals

- Flexible
- PetroSeal

Fusion Entry Seals

- 302-040
- 303 Series
- 304 and 305 Series
- 308 Series

Containment

Chambers

- PetroTite® PE
- PetroTite® PE Fusion
- Optimum Fusion
- Optimum Fusion Small Riser
- Associated Items
- Fusion Chambers

Compatibility Chart

Dispenser Sumps

- Nexus Series™

11

12

15

15

18

20

23

23

26

29

33

36

41

44

48

50

54

56

58

58

64

66

67

67

68

69

69

70

71

71

72

73

75

76

78

78

79

80

81

82

82

82

83

84

84

Large Mouth

Wayne™ Ovation™

UPP® Dispenser Sumps

Mounting Frames

Transition Sumps

Below Grade

Below Grade Intermediate

Grade Level

Grade Level Sleeve

Wall Sleeve

Tools

Welders

Vacuum Testing

UPP® Tool Box

UPP® Tools

Service Station Hardware

Vapour Recovery Equipment

300 4" Vapour Check Valve Adapter

304 4" Vapour Adapter Cap

306 4" Coaxial Adapters

308 Ball Float Vent Valves

300 Extractor Vent Valves

300 Extractor Vent Valve Accessories

305 3" Float Vent Valves

Shear Valves

362 Series Vapour

662 Series Product

Emergency Shut-off Valve Accessories

Emergency Shut-off Valve Replacement Tops

Fill Point Equipment

Fill Swivel adapters

Vapor Swivel adapters

777 4" Top Seal Fill Caps

779 3" Top Seal Fill Caps

778 Top Seal Fill Pipe Adapter

Defender Series™ Overfill Prevention Valve

Overfill Prevention

Defender Series® OPV

AutoLimiter® II

Remote Fill Kit

Drop Tubes

Remote Fill Splice Kit

Sealing Dip Cap

LAG14 Leak Detection

87

88

89

91

92

92

93

94

95

96

97

97

99

100

101

104

107

107

108

109

110

111

112

112

113

113

114

115

115

116

116

117

118

119

120

121

121

123

126

127

127

128

129

129

| | | | |
|---|------------|---|------------|
| Spill Containers | 130 | Technical | 172 |
| Selecting a Spill Container | 130 | Fuel/Chemical Compatibility Chart to en14125:2013 (Retail Specific) | 172 |
| Defender Series® Spill Containers | 131 | Trenches (Width, Depth & Fall Back) | 172 |
| Grade Level | 136 | Bedding | 173 |
| Tank Access Covers | 139 | Pipe Spacing | 173 |
| Round Access Covers & Skirts | 139 | Pressure / Vacuum Rating | 174 |
| Steel Access Covers | 140 | Bend Radius | 174 |
| Power Lift Cast Iron Covers | 141 | Interstitial Volume | 174 |
| Composite Manholes | 143 | Electrofusion Safety | 175 |
| Composite | 143 | Weld Pin Protection Caps | 176 |
| Fiber Reinforced Composite Manways | 145 | Contact Us | 177 |
| Composite Access Covers | 146 | | |
| Monitoring Well Equipment | 148 | | |
| Monitoring Well Manways | 148 | | |
| Monitoring Well Cap Plugs | 148 | | |
| Monitoring Well Screen Pipe | 149 | | |
| Monitoring Well Filter Wrap | 149 | | |
| Monitoring Well Packages | 150 | | |
| Probe Access Manhole | 150 | | |
| Flexible Connectors | 151 | | |
| Isolation Accessories | 155 | | |
| Aboveground Storage Tank Equipment | 156 | | |
| Anti Syphon Valves | 156 | | |
| Pressure Regulator Valves | 157 | | |
| Warden® AST Overfill Prevention Valve | 158 | | |
| Storage Tank Vents | 159 | | |
| Tank Vents | 159 | | |
| Downward Tank Vents | 159 | | |
| Pressure Vacuum Vents | 160 | | |
| Suction System Equipment | 161 | | |
| NPT Angle | 161 | | |
| 1.5" Union | 161 | | |
| Packages | 162 | | |
| Defender Series® | 162 | | |
| Installation Tools | 164 | | |
| Tools | 164 | | |
| Accessories | 166 | | |
| Pipe Guards & Bollards | 166 | | |
| Wall Mount Remote Fill Box | 167 | | |
| Remote Fill Box | 167 | | |
| DEF/ADBlue® | 168 | | |
| Flexible Connectors | 168 | | |
| Shear Valves | 171 | | |



ABOUT US



WELCOME TO FRANKLIN FUELLING SYSTEMS, THE WORLD'S LEADING PROVIDER OF COMPLETE FUELLING SYSTEMS.

We are comprised of the industry's most extensive lines of fuelling product solutions. With us, you can get the most comprehensive product offering from the industry's leader in total system solutions.

Franklin Fueling Systems provides unparalleled simplicity in placing one order, having one point of contact, relying on one service team and receiving one consolidated shipment.

A wide variety of products, a world class customer service experience and extensive technical background create a complete system solution where our services, features and products set us apart as the industry leader.

Whether you want to automate your station or network, build or re-build your station according to the latest environmental laws, update a station to fulfill new regulations or intend to realize a more cost efficient site construction and operation, you can rely on Franklin Fueling Systems. Our submersible pumping systems, service station hardware, fuel management systems and complete pipework solutions can increase your efficiency and improve your business.

In addition to the industry's most comprehensive product offering, Franklin Fueling Systems also provides:

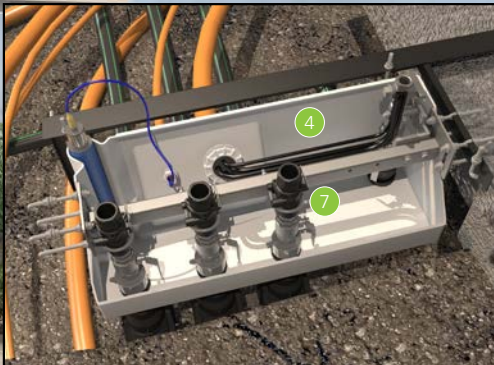
- One order for all equipment
- Factory tested leak-tight equipment
- Reduced site downtimes
- 100% Bio-fuel compatible options
- Effective control of your fuel stocks
- Ensured environmental protection
- Solutions to keep fuel in and water out
- Lowest total cost of ownership
- Time and money savings

Franklin Fueling Systems can deliver a complete package of pipework, manhole chambers, under dispenser containment, submersible pumps and intelligent fuel stock & environmental monitoring systems all designed around your exact needs and delivered in one shipment, ready for installation.

PIPE & CONTAINMENT

- 1 Semi-rigid electrofusion weld pipe
- 2 32mm Electrical conduit
- 3 Electrofusion entry seals
- 4 Polyethylene dispenser sumps
- 5 Polyethylene tank sumps
- 6 Gemini secondary containment
- 7 Termination fittings
- 8 Cable Tight wire management





4

5

2

6



PIPE & CONTAINMENT

The industry's most complete line of underground and aboveground containment products including pipe, fittings, sumps and boots. Whether you require product or vent piping, fiberglass or polyethylene sumps, Franklin has the solution to fit any scenario.



HIGHLIGHTS

Diverse Sump Offering

Whether site conditions require fibreglass or polyethylene sumps, Franklin offers a wide assortment of both UPP® and APT® brand dispenser and tank sumps in a variety of options to fulfill any site application.



Zero Leak Paths

Patented UPP® electrofusion welded entry boots weld directly to the walls of polyethylene sumps, providing watertight seals between the sump and the UPP® pipework, conduit or ducting.



Electrofusion Welding

At the heart of the UPP® brand pipework is the highly efficient electrofusion welding process which connects pipe and fittings to all key system components to create a seamless direct burial pipework system.



ELECTROFUSION PIPEWORK

A TRUE LIQUID TIGHT SOLUTION



Since being introduced as the world's first electrofusion pipework system for fuel applications over thirty years ago, UPP® semi-rigid pipework has become known globally as the standard for liquid tight pipework systems. Synonymous with words like "safe", "efficient" and "simple" throughout petroleum equipment installer circles, UPP® pipework utilises the advanced electrofusion welding process to effectively bond system components together into one, leak proof system.

HIGHLIGHTS

Simple Installation

The UPP® electrofusion welding process is safe and simple to complete in any climate and virtually any weather condition. An installer simply prepares the components, fits them together attaching welder leads to the fitting, and then presses a single button on the welding unit to initiate the process. The welder unit itself calculates the exact settings required to complete the weld, regardless of the pipework diameter or temperature, leaving no settings for the installer to input.

Electrofusion Welding

At the heart of the UPP® pipework system is the highly efficient electrofusion welding process that connects pipe, fittings, seals and containment to create a seamless direct burial pipework system. The welding process uses the lightweight, portable UPP® electrofusion welder unit to form the strongest of assemblies, which is easily and quickly carried out - even in confined spaces.

Hand-Held Welder

The UPP® Electrofusion Welder is compatible with all UPP® fittings and products and has been used on thousands of installation sites around the world. The rugged water and dust proof welder features a state-of-the-art graphical display that illustrates the progress of the electrofusion process and provides visual indication of a completed weld.

Safety Above All Else

With installations in over 150 countries to its credit, the UPP® pipework system boasts a sterling safety record. Thousands of trouble-free existing installations around the world, some of which more than 30 years old, speak to the reliability of this non-conductive pipework system. The proven track record of performing effectively in some of the world's harshest conditions speaks for itself.

The Strength of EVOH

UPP® pipe features an innovative clear inner lining made of natural EVOH resin to provide maximum pipe strength and superior vapour permeation and hydrocarbon barrier qualities. UPP® pipe is the first to receive an exception Class T1 temperature rating with its EN14125 approval, a true testament to its strength.

Electrofusion Termination Fittings

The end of a piping run can be fitted with a wide variety of termination fittings to accommodate any application. UPP® termination fittings feature an overmolded design which permanently bonds the metal threads of the fitting to an HDPE pipe segment. This allows the same electrofusion process to create a liquid tight bond between the pipework and metal termination fitting.

Electrofusion Entry Seals

As a vital component to the UPP® pipework system, patented UPP® electrofusion entry seals weld directly to the wall of any polyethylene sump creating a liquid tight seal between the pipework system and containment spaces. They are specifically designed to reduce the number of fittings and eliminate bolt holes, rubber seals, band clamps and any potential leak paths.



SPECIFICATIONS

UPP® EN14125:2013 Standard Primary Pipe

- Material: PE100 with EVOH resin barrier
- Primary pressure rating (bar/psi): 10/145
- Primary colour: Black with two clusters of four green stripes, clear inner liner
- Temperature rating: Class T1 Rating (EN14125:2013) -40 °C to 50 °C
- Primary vacuum rating (-bar/"Hg): -0.9/-26.6

UPP® EN14125:2013 Standard Fill Pipe

- Material: PE100 with EVOH resin barrier
- Primary pressure rating (bar/psi): 6/87
- Primary colour: Black with two clusters of four green stripes, clear inner liner
- Temperature rating: Class T1 Rating (EN14125:2013) -40 °C to 50 °C

UPP® EN14125:2013 Standard Coaxial (Secondary) Pipe

- Material: PE100 with EVOH resin barrier
- Primary pressure rating (bar/psi): 10/145
- Primary colour: Black with two clusters of four green stripes, clear inner liner
- Secondary colour: Black with six green stripes
- Secondary pressure rating (bar/psi): 5/72
- Temperature rating: Class T1 Rating (EN14125:2013) -40 °C to 50 °C
- Primary vacuum rating (-bar/"Hg): -0.9/-26.6
- Secondary vacuum rating (-bar/"Hg): -0.6/-17.8

UPP® EN14125:2013 Standard Secondary Sleeve

- Material: PE100
- Secondary pressure rating (bar/psi): 5/72
- Primary colour: Black with six green stripes
- Temperature rating: Class T1 Rating (EN14125:2013) -40 °C to 50 °C
- Primary vacuum rating (-bar/"Hg): -0.6/-17.8

ORDERING INFORMATION

UPP® EN14125:2013 Standard Primary Pipe

| Model | Ø (mm) | Unit | Pack (m) | Weight (kg/m) | Weight (lbs/ft) | SDR | Primary ID (mm) | Ø32 mm Bend Radius (m) |
|---------------|--------|-------------|----------|---------------|-----------------|------|-----------------|------------------------|
| 001-032-100-E | 32 | 100 m Coil | 100 | 0.29 | 0.19 | 11 | 26 | 0.5 |
| 001-050-006-E | 50 | 5.8 m Stick | 672.8 | 0.66 | 0.45 | 11 | 40.8 | 0.75 |
| 001-050-050-E | 50 | 50 m Coil | 50 | 0.66 | 0.45 | 11 | 40.8 | 0.75 |
| 001-050-100-E | 50 | 100 m Coil | 100 | 0.66 | 0.45 | 11 | 40.8 | 0.75 |
| 001-063-006-E | 63 | 5.8 m Stick | 394.4 | 1.05 | 0.7 | 13.6 | 53.6 | 0.9 |
| 001-063-008-E | 63 | 8 m Stick | 544 | 1.05 | 0.7 | 13.6 | 53.6 | 0.9 |
| 001-063-100-E | 63 | 100 m Coil | 100 | 1.05 | 0.7 | 13.6 | 53.6 | 0.9 |
| 001-090-006-E | 90 | 5.8 m Stick | 197.2 | 1.81 | 1.22 | 13.6 | 76.6 | 2.25 |
| 001-090-050-E | 90 | 50 m Coil | 50 | 1.81 | 1.22 | 13.6 | 76.6 | 2.25 |
| 001-110-006-E | 110 | 5.8 m Stick | 133.4 | 3.15 | 2.12 | 13.6 | 93.8 | 2.75 |

UPP® EN14125:2013 Standard Fill Pipe

| Model | Ø (mm) | Unit | Pack (m) | Weight (kg/m) | Weight (lbs/ft) | SDR | Primary ID (mm) | Bend Radius (m) |
|--------------------|--------|------------|----------|---------------|-----------------|-----|-----------------|-----------------|
| 001-110-006-FILL-E | 110 | 5.8m Stick | 133.4 | 2.3 | 1.55 | 17 | 96.8 | 2.75 |

ORDERING INFORMATION CONTINUED

UPP® EN14125:2013 Standard Coaxial (Secondary) Pipe

| Model | Ø (mm) | Unit | Pack (m) | Weight (kg/m) | Weight (lbs/ft) | SDR | Primary ID (mm) | Bend Radius (m) |
|-------------------|--------|------------|----------|---------------|-----------------|-----------|-----------------|-----------------|
| 001-040-032-050-E | 40/32 | 50 m Coil | 50 | 0.64 | 0.43 | 11 / 17 | 26 | 0.6 |
| 001-040-032-100-E | 40/32 | 100 m Coil | 100 | 0.64 | 0.43 | 11 / 17 | 26 | 0.6 |
| 001-063-050-030-E | 63/50 | 30 m Coil | 30 | 1.17 | 0.78 | 11 / 26 | 40.8 | 0.9 |
| 001-063-050-100-E | 63/50 | 100 m Coil | 100 | 1.17 | 0.78 | 11 / 26 | 40.8 | 0.9 |
| 001-075-063-010-E | 75/63 | 10 m Stick | 10 | 1.72 | 1.15 | 13.6 / 26 | 53.6 | 1.12 |
| 001-075-063-030-E | 75/63 | 30 m Coil | 30 | 1.72 | 1.15 | 13.6 / 26 | 53.6 | 1.12 |
| 001-075-063-050-E | 75/63 | 50 m Coil | 50 | 1.72 | 1.15 | 13.6 / 26 | 53.6 | 1.12 |

UPP® EN14125:2013 Standard Secondary Sleeve

| Model | Ø (mm) | Unit | Pack (m) | Weight (kg/m) | Weight (lbs/ft) | SDR | Bend Radius (m) |
|------------------|--------|-------------|----------|---------------|-----------------|-----|-----------------|
| 000-063-006-SC-E | 63 | 5.8 m Stick | 394.4 | 0.5 | 0.34 | 26 | 0.9 |
| 000-075-006-SC-E | 75 | 5.8 m Stick | 266.8 | 0.67 | 0.45 | 26 | 1.12 |
| 000-075-008-SC-E | 75 | 8 m Stick | 368 | 0.67 | 0.45 | 26 | 1.12 |
| 000-110-006-SC-E | 110 | 5.8 m Stick | 133.4 | 1.46 | 0.98 | 26 | 2.75 |
| 000-125-006-SC-E | 125 | 5.8 m Stick | 87 | 1.89 | 1.27 | 26 | 3.1 |



GEMINI® SECONDARY CONTAINMENT

A REVOLUTION IN FITTING DESIGN



No other secondary containment system has ever offered the ability to completely install the primary pipework system and execute integrity testing before closing the secondary system. With Gemini® three secondary fittings, which are specifically designed to enclose standard one-piece primary fittings, allow you to reduce the number of necessary parts, welds, time and overall cost. Gemini® allows Franklin Fueling Systems to provide up to 50% reduction in primary and secondary fittings and up to 50% reduction in fusion weld operations.

HIGHLIGHTS

Revolutionary Secondary Containment

Simple installation. Complete confidence. The most efficient secondary containment solution ever. Gemini® re-writes the rule book on secondary containment systems by splitting the secondary fitting into two pieces. This revolutionary feature allows you to slide the secondary fitting away so that the primary joint can be fully welded, pressure tested and inspected before welding the secondary fittings for the utmost in system security.

Less Fittings, More Savings

Before Gemini®, installing secondary containment was complicated. It required many different types of fittings to be welded together in sequence, piece-by-piece, over primary fittings at each bend. With Gemini® three secondary fittings, which are specifically designed to enclose standard one-piece primary fittings, allow you to drastically reduce the number of necessary parts, welds, time and overall cost.

Better by Design

The design of each Gemini® fitting in itself allows for the fastest, most efficient installation of secondary containment by reducing the number of welds needed to complete both primary and secondary pipework systems. Additionally, the integrated tabs allow the fitting to constrain itself in place for complete ease of installation without the need for specific clamps.

Weld and Test

No other secondary containment system has ever offered the ability to completely install the primary pipework system and execute integrity testing before closing the secondary system. Discovering a breach after the complete system has been welded can mean having to deconstruct the system to identify the problem, significantly increasing installation time and cost.

Independent Primary

Gemini® secondary fittings are completely independent of primary fittings giving you a full 360° interstitial space between the two systems. As a result, a new level of integrity testing is achieved giving you complete peace of mind that both the primary and secondary systems are performing at the highest level.

Cutting Pipe Cost

With Gemini®, you finally have a secondary fitting specifically designed for the most efficient usage of pipe. No longer is the secondary pipe diameter determined by the size of the primary fittings. Gemini® was designed to enclose standard one-piece primary fittings and then reduce down over the primary pipe cutting both pipe costs and installation time dramatically.

A Single Weld Lead

The same welding leads an installer uses to weld the primary fittings can be used to weld the Gemini® secondary fittings giving unparalleled installation efficiency.

Extreme Confidence

The Gemini® secondary containment system is simplicity itself. Design engineers, mechanical engineers and manufacturing engineers collaborated to ensure that a final design could be developed quickly without compromise. When you install a pipework system underground, you need to be certain that it will perform flawlessly. Secondary containment is crucial to ensuring safety and performance. With Gemini's® integrity testing capabilities, you get a level of confidence which installers and end users have yet to experience until now.

SPECIFICATIONS AND ORDERING INFORMATION

Gemini® Secondary Sliding 45° Elbow / Sliding Elbow/In-Line

- Material: PE100
- Temperature rating: -40 °C to 50 °C
- Secondary Pressure rating (bar): 5
- Welding current (Amps): 4
- Welding pin size : 4 mm

| Model | Description | Primary Fitting (45°) | Primary Fitting (In-line) | Primary Pipe Ø (mm) | Secondary Pipe Ø (mm) |
|------------|---|-----------------------|---------------------------|---------------------|-----------------------|
| G4-040-032 | Secondary sliding 45° elbow for 40/32 | 04-032-EIF | 02-032-L | 32 | 40 |
| G4-063-050 | Secondary sliding 45° elbow for 63/50 | 04-050-EIF | 02.50 | 50 | 63 |
| G4-075-063 | Secondary sliding 45° elbow for 75/63 | 04-063-EIF | 02.63 | 63 | 75 |
| G4-110-090 | Secondary sliding 45° elbow for 110/90 | 04-090-EIF | 02.90 | 90 | 110 |
| G4-125-110 | Secondary sliding 45° elbow for 125/110 | 04-110-EIF | 02.110 | 110 | 125 |

Gemini® Secondary Sliding 90° Elbow

- Material: PE100
- Temperature rating: -40 °C to 50 °C
- Secondary Pressure rating (bar): 5
- Welding current (Amps): 4
- Welding pin size : 4 mm

| Model | Description | Primary Fitting (90°) | Primary Pipe Ø (mm) | Secondary Pipe Ø (mm) |
|------------|---|-----------------------|---------------------|-----------------------|
| G3-040-032 | Secondary sliding 90° elbow for 40/32 | 03-032-EIF | 32 | 40 |
| G3-063-050 | Secondary sliding 90° elbow for 63/50 | 03-050-EIF | 50 | 63 |
| G3-075-063 | Secondary sliding 90° elbow for 75/63 | 03-063-EIF | 63 | 75 |
| G3-110-090 | Secondary sliding 90° elbow for 110/90 | 03-090-EIF | 90 | 110 |
| G3-125-110 | Secondary sliding 90° elbow for 125/110 | 03-110-EIF | 110 | 125 |

Gemini® Secondary Tee

- Material: PE100
- Temperature rating: -40 °C to 50 °C
- Secondary Pressure rating (bar): 5
- Welding current (Amps): 4
- Welding pin size : 4 mm

| Model | Description | Primary Fitting (Tee, In-Line) | Primary Pipe Ø (mm) | Secondary Pipe Ø (mm) |
|------------|--------------------------|--------------------------------|---------------------|-----------------------|
| G8-040-032 | Secondary tee for 40/32 | 08-032-EIF, 02-032-L | 32 | 40 |
| G8-063-050 | Secondary tee for 63/50 | 08-050-EIF, 02.50 | 50 | 63 |
| G8-075-063 | Secondary tee for 75/63 | 08-063-EIF, 02.63 | 63 | 75 |
| G8-110-090 | Secondary tee for 110/90 | 08-090-EIF, 02.90 | 90 | 110 |

Approvals

- EN14125:2013 approved.



DOUBLE WALL TERMINATION FITTINGS

UPP® brand double wall termination fittings make terminating double wall pipework simple by combining all pipework and fitting components into a single piece. Scraping and welding operations are drastically reduced making installation faster and easier.

HIGHLIGHTS

A Single Fitting

The Double Wall Termination Fitting comes complete as a single piece combining both the double wall pipe and the termination fitting.

- Single fitting replaces several individual parts, eliminating cleaning, scraping and welding.
- No assembly required, single-piece design.
- Install directly in-line with the secondary contained pipework.

Faster Installation

Each fitting is specifically designed for the fastest, most efficient installation of double wall pipework by reducing the amount of necessary cleans, scrapes, welds, and parts.

- The single-piece construction of double wall termination fittings allow for minimal welds, cleaning and scraping operations during installation.
- The legacy solution for a 110x90 mm installation would require 2 welds, 5 cleans, 2 scrapes and comes as 2 parts.
- The new double wall termination fitting requires 0 welds, 0 cleans, 0 scrapes and comes as a single part.

Ideal for Remote Fill

A remote fill point is exposed to constant wear and tear caused by fuel deliveries. Protect this vital point in the system by providing double wall protection all the way to grade level.

- Provides double wall containment all the way to grade level.
- Eliminates welded connections buried underneath or inside of concrete.
- Provides an integrated test port accessible at grade level for easy compliance testing.

Robust Design

The simple, yet rugged one-piece design withstands the harsh environment of a petrol station forecourt. The press fit construction utilizes barbed connections to combine primary and secondary pipe into a solid, single-piece assembly.

1. Primary fitting with barb
2. Intermediate ring with barb
3. Secondary compression ring
4. Primary pipe
5. Secondary pipe
6. Interstitial space
7. Test port (optional)

Integrated Test Port

The ability to test the integrity of a secondary contained system from both the remote fill point and tank chamber ensures complete integrity throughout the system.

- Fast integrity testing accessible at grade level.
- Ensure full 360 degree interstitial space communication.
- The robust nickel plated steel test port design ensures a long service life.

SPECIFICATIONS

- Material: PE100, nickel plated steel
- Temperature rating: -40 °C to 50 °C
- Primary pressure rating: 10 bar
- Secondary pressure rating: 5 bar
- Primary vacuum rating: -0.9 bar
- Secondary vacuum rating: -0.6 bar
- 75x63 mm model options include 1½" BSPT reducer fittings ideal for shear valve connections.

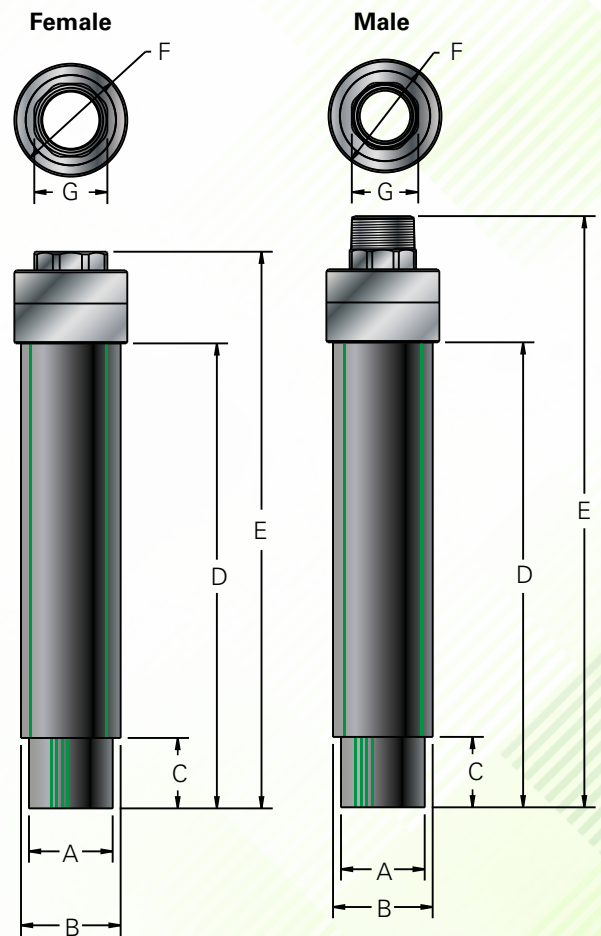
Approvals

- EN14125:2013

Dimensions

Use the diagram and table for a full set of product dimensions.

| Model | A (mm) | B (mm) | C (mm) | D (mm) | E (mm) | F (mm) | G (mm) |
|----------------------|--------|--------|--------|--------|--------|--------|--------|
| 91-063-050 BSPT | 50 | 63 | 50 | 350 | 445 | 72 | 50 |
| 91-063-050-TP BSPT | 50 | 63 | 50 | 350 | 445 | 74 | 50 |
| 92-063-050 BSPT | 50 | 63 | 50 | 350 | 428 | 72 | 55 |
| 92-063-050-TP BSPT | 50 | 63 | 50 | 350 | 428 | 74 | 55 |
| 91-075-063-1-TP BSPT | 63 | 75 | 53 | 350 | 445 | 88 | 50 |
| 91-075-063-TP BSPT | 63 | 75 | 53 | 500 | 599 | 88 | 62 |
| 92-075-063-1 BSPT | 63 | 75 | 53 | 350 | 419 | 85 | 55 |
| 92-075-063-TP BSPT | 63 | 75 | 53 | 500 | 583 | 88 | 67 |
| 91-110-090-TP BSPT | 90 | 110 | 72 | 500 | 623 | 120 | 90 |
| 92-110-090 BSPT | 90 | 110 | 72 | 500 | 601 | 120 | 94 |
| 92-110-090-TP BSPT | 90 | 110 | 72 | 500 | 601 | 120 | 94 |
| 91-125-110-TP BSPT | 110 | 125 | 82 | 500 | 637 | 139 | 114 |
| 92-125-110 BSPT | 110 | 125 | 82 | 500 | 610 | 136 | 120 |
| 92-125-110-TP BSPT | 110 | 125 | 82 | 500 | 610 | 139 | 120 |



SPECIFICATIONS CONTINUED

63x50 mm Double Wall Termination Fittings

| Model | Description | Pack Size | Weight (kg) | Weight (lbs) |
|--------------------|--|-----------|-------------|--------------|
| 91-063-050 BSPT | Male, 63x50mm, BSPT thread | 6 | 1.64 | 3.6 |
| 91-063-050-TP BSPT | Male, 63x50mm, BSPT thread, with test port | 6 | 1.64 | 3.6 |
| 92-063-050 BSPT | Female, 63x50mm, BSPT thread | 6 | 1.52 | 3.4 |
| 92-063-050-TP BSPT | Female, 63x50mm, BSPT thread, with test port | 6 | 1.52 | 3.4 |

75x63 mm Double Wall Termination Fittings

Several 75x63 mm model options are available with 1½" BSPT threads ideal for shear valve connections.

| Model | Description | Pack Size | Weight (kg) | Weight (lbs) |
|----------------------|---|-----------|-------------|--------------|
| 91-075-063-1-TP BSPT | Male, 75x63mm, 1½" BSPT thread with test port | 4 | 2.1 | 4.6 |
| 91-075-063-TP BSPT | Male, 75x63mm, 2" BSPT thread, with test port | 4 | 2.1 | 4.6 |
| 92-075-063-1 BSPT | Female, 75x63mm, 1½" BSPT thread | 4 | 2 | 4.4 |
| 92-075-063-TP BSPT | Female, 75x63mm, 2" BSPT thread, with test port | 4 | 2 | 4.4 |

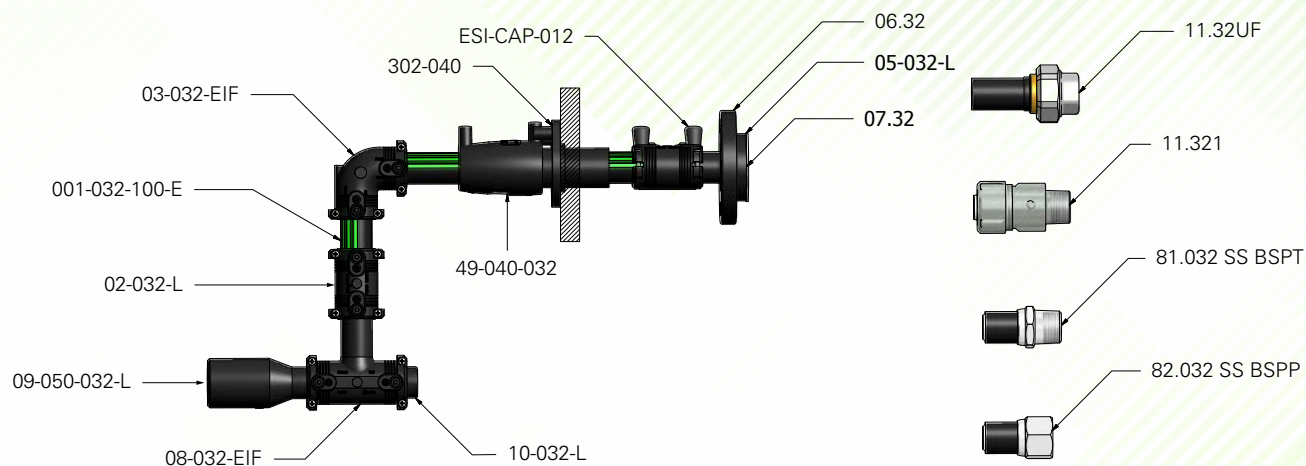
110x90 mm Double Wall Termination Fittings

| Model | Description | Pack Size | Weight (kg) | Weight (lbs) |
|--------------------|---|-----------|-------------|--------------|
| 91-110-090-TP BSPT | Male, 110x90mm, BSPT thread, with test port | 2 | 5.1 | 11.2 |
| 92-110-090 BSPT | Female, 110x90mm, BSPT thread | 2 | 5.1 | 11.2 |
| 92-110-090-TP BSPT | Female, 110x90mm, BSPT thread, with test port | 2 | 5.1 | 11.2 |

125x110 mm Double Wall Termination Fittings

| Model | Description | Pack Size | Weight (kg) | Weight (lbs) |
|--------------------|--|-----------|-------------|--------------|
| 91-125-110-TP BSPT | Male, 125x110mm, BSPT thread, with test port | 2 | 6.58 | 14.5 |
| 92-125-110 BSPT | Female, 125x110mm, BSPT Thread | 2 | 6.08 | 13.4 |
| 92-125-110-TP BSPT | Female, 125x110mm, BSPT thread, with test port | 2 | 6.08 | 13.4 |

32 MM 1" PRIMARY



| Model | Description | Unit | Weight (kg/m) | Weight (lbs/ft) | Diameter Ø (mm) |
|---------------|---------------------------------|------|---------------|-----------------|-----------------|
| 001-032-100-E | UPP® Extra Pipe 32mm Coil 100 m | 100m | 0.29 | 0.19 | 32 |

Note: Ideal for boiler house applications or small stand-by generators. OFTEC Listed. Also approved for AdBlue.



| Model | Description | Pack Size | Weight (kg) | Weight (lbs) | Diameter Ø (mm) |
|----------|---------------------------------|-----------|-------------|--------------|-----------------|
| 02-032-L | UPP® Fusion Coupler 32mm - Long | 50 | 0.06 | 0.13 | 32 |



| Model | Description | Pack Size | Weight (kg) | Weight (lbs) | Diameter Ø (mm) |
|-------|---------------------------|-----------|-------------|--------------|-----------------|
| 03.32 | UPP® Plain Elbow 90° 32mm | 40 | 0.06 | 0.13 | 32 |



| Model | Description | Pack Size | Weight (kg) | Weight (lbs) | Diameter Ø (mm) |
|------------|-----------------------------|-----------|-------------|--------------|-----------------|
| 03-032-EIF | UPP® Electrofusion 90° 32mm | 30 | 0.08 | 0.18 | 32 |



| Model | Description | Pack Size | Weight (kg) | Weight (lbs) | Diameter Ø (mm) |
|------------|-----------------------------------|-----------|-------------|--------------|-----------------|
| 04-032-EIF | UPP® Electrofusion Elbow 45° 32mm | 24 | 0.08 | 0.18 | 32 |



| Model | Description | Pack Size | Weight (kg) | Weight (lbs) | Diameter Ø (mm) |
|----------|-------------------------------------|-----------|-------------|--------------|-----------------|
| 05-032-L | UPP® Stub 32mm | 50 | 0.06 | 0.13 | 32 |
| 06.32 | UPP® Flange Circular PN16 DN22 32mm | 34 | 0.44 | 0.97 | 32 |
| 07.32 | UPP® Gasket 32mm for Stub | 10 | 0.012 | 0.03 | 32 |

Note: ANSI version is available.



| Model | Description | Pack Size | Weight (kg) | Weight (lbs) | Diameter Ø (mm) |
|-------|---------------------|-----------|-------------|--------------|-----------------|
| 08.32 | UPP® Tee Equal 32mm | 20 | 0.08 | 0.18 | 32 |



| Model | Description | Pack Size | Weight (kg) | Weight (lbs) | Diameter Ø (mm) |
|------------|-----------------------------------|-----------|-------------|--------------|-----------------|
| 08-032-EIF | UPP® Electrofusion Tee Equal 32mm | 22 | 0.25 | 0.55 | 32 |



| Model | Description | Pack Size | Weight (kg) | Weight (lbs) | Diameter Ø (mm) |
|------------|---------------------------------------|-----------|-------------|--------------|-----------------|
| 49-040-032 | UPP® Fusion Reducer 40x32mm Secondary | 50 | 0.06 | 0.13 | 40/32 |

Note: Test Ports are 7mm Schrader valves with Protective Caps



| Model | Description | Pack Size | Weight (kg) | Weight (lbs) | Diameter Ø (mm) |
|--------------|---------------------------------------|-----------|-------------|--------------|-----------------|
| 09-050-032-L | UPP® Plain Reducer 50x32mm (pictured) | 40 | 0.07 | 0.15 | 50/32 |
| 09-063-032-L | UPP® Plain Reducer 63x32mm | 28 | 0.11 | 0.24 | 63/32 |



| Model | Description | Pack Size | Weight (kg) | Weight (lbs) | Diameter Ø (mm) |
|----------|-------------------|-----------|-------------|--------------|-----------------|
| 10-032-L | UPP® End Cap 32mm | 50 | 0.02 | 0.04 | 32 |



| Model | Description | Pack Size | Weight (kg) | Weight (lbs) | Diameter Ø (mm) |
|---------|-----------------------|-----------|-------------|--------------|-----------------|
| 302-040 | UPP® Fusion Seal 40mm | 45 | 0.1 | 0.22 | 40 |



| Model | Description | Weight (kg) | Weight (lbs) |
|-------------|-------------------------|-------------|--------------|
| ESI-CAP-012 | Weld Pin Protection Cap | 0.004 | 0.01 |



| Model | Description | Pack Size | Weight (kg) | Weight (lbs) | Diameter Ø (mm) |
|---------|--------------------------------------|-----------|-------------|--------------|-----------------|
| 11.32UF | UPP® Union Termination 32mm x 1" BSP | 20 | 0.34 | 0.75 | 32 |



| Model | Description | Pack Size | Weight (kg) | Weight (lbs) | Diameter Ø (mm) |
|--------|---|-----------|-------------|--------------|-----------------|
| 11.321 | UPP® Compression Termination 32mm x 1" BSP Male | 25 | 0.42 | 0.93 | 32 |



| Model | Description | Pack Size | Weight (kg) | Weight (lbs) | Diameter Ø (mm) |
|-------------|----------------------------------|-----------|-------------|--------------|-----------------|
| 91-032 BSPT | Terminal UPP 32mm x 1" BSPT male | 26 | 0.26 | 0.57 | 32 |



| Model | Description | Pack Size | Weight (kg) | Weight (lbs) | Diameter Ø (mm) |
|----------------|---|-----------|-------------|--------------|-----------------|
| 81.032 SS BSPT | UPP® SS Termination 32mm x 1" BSPT Male | 50 | 0.256 | 0.56 | 32 |



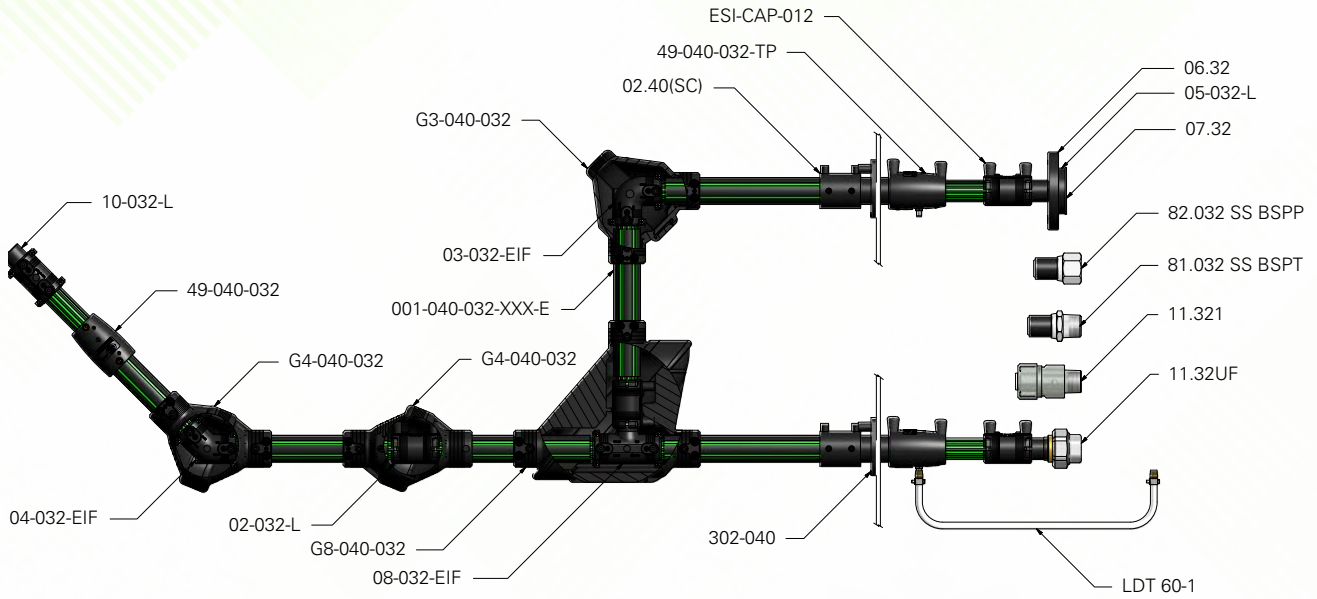
| Model | Description | Pack Size | Weight (kg) | Weight (lbs) | Diameter Ø (mm) |
|-------------|------------------------------------|-----------|-------------|--------------|-----------------|
| 92-032 BSPT | Terminal UPP 32mm x 1" BSPT female | 26 | 0.2 | 0.44 | 32 |



| Model | Description | Pack Size | Weight (kg) | Weight (lbs) | Diameter Ø (mm) |
|----------------|---|-----------|-------------|--------------|-----------------|
| 82.032 SS BSPP | UPP® SS Termination 32mm x 1" BSPP Female | 50 | 0.25 | 0.55 | 32 |



40X32 MM 1" SECONDARY CONTAINMENT



| Model | Description | Pack Size | Weight (kg/m) | Weight (lbs/ft) | Diameter Ø (mm) |
|-------------------|-----------------------------------|-----------|---------------|-----------------|-----------------|
| 001-040-032-050-E | UPP® Extra 32mm Coaxial Coil 50 m | 50m | 0.64 | 0.43 | 40/32 |
| 001-040-032-100-E | UPP® Coaxial Pipe 32mm Coil 100 m | 100m | 0.64 | 0.43 | 40/32 |



| Model | Description | Pack Size | Weight (kg) | Weight (lbs) | Diameter Ø (mm) |
|------------|-----------------------------------|-----------|-------------|--------------|-----------------|
| G3-040-032 | SC 40x32mm UPP® Gemini® 90° Elbow | 12 | 0.53 | 1.17 | 40 |



| Model | Description | Pack Size | Weight (kg) | Weight (lbs) | Diameter Ø (mm) |
|------------|---|-----------|-------------|--------------|-----------------|
| G4-040-032 | SC 40x32mm UPP® Gemini® 45° Elbow OR SC 40x32mm UPP® Gemini® Inline Joint | 12 | 0.43 | 0.95 | 40 |



| Model | Description | Pack Size | Weight (kg) | Weight (lbs) | Diameter Ø (mm) |
|------------|-----------------------------|-----------|-------------|--------------|-----------------|
| G8-040-032 | SC 40x32mm UPP® Gemini® Tee | 4 | 1.19 | 2.62 | 40 |



| Model | Description | Pack Size | Weight (kg) | Weight (lbs) | Diameter Ø (mm) |
|-----------|---------------------------------------|-----------|-------------|--------------|-----------------|
| 02.40(SC) | UPP® Fusion Coupler 40mm Secondary | 20 | 0.06 | 0.13 | 40 |



| Model | Description | Pack Size | Weight (kg) | Weight (lbs) | Diameter Ø (mm) |
|-----------|---------------------------------------|-----------|-------------|--------------|-----------------|
| 02.75(SC) | UPP® Fusion Coupler 75mm Secondary | 20 | 0.11 | 0.24 | 75 |



| Model | Description | Pack Size | Weight (kg) | Weight (lbs) | Diameter Ø (mm) |
|--------------|-----------------------------------|-----------|-------------|--------------|-----------------|
| 13.75.40(SC) | UPP® Reducer 75x40mm Secondary | 40 | 0.162 | 0.36 | 75/40 |



| Model | Description | Pack Size | Weight (kg) | Weight (lbs) | Diameter Ø (mm) |
|---------------|---|-----------|-------------|--------------|-----------------|
| 49-040-032 | UPP® Fusion Reducer 40x32mm Secondary | 50 | 0.06 | 0.13 | 40/32 |
| 49-040-032-TP | UPP® Fusion Reducer 40x32mm Sec with Test Port | 50 | 0.08 | 0.18 | 40/32 |

Note: Test Ports are 7mm Schrader valves with Protective Caps



| Model | Description | Pack Size | Weight (kg) | Weight (lbs) | Diameter Ø (mm) |
|--------------|--|-----------|-------------|--------------|-----------------|
| 09-050-032-L | UPP® Plain Reducer 50x32mm (pictured) | 40 | 0.07 | 0.15 | 50/32 |
| 09-063-032-L | UPP® Plain Reducer 63x32mm | 28 | 0.11 | 0.24 | 63/32 |



| Model | Description | Pack Size | Weight (kg) | Weight (lbs) | Diameter Ø (mm) |
|-------------|-------------------------|-----------|-------------|--------------|-----------------|
| ESI-CAP-012 | Weld Pin Protection Cap | 100 | 0.004 | 0.01 | 32 |



| Model | Description | Pack Size | Weight (kg) | Weight (lbs) | Diameter Ø (mm) |
|---------|--|-----------|-------------|--------------|-----------------|
| STB-100 | UPP® Test Boot 40x32mm Secondary with Test Port | 1 | 0.2 | 0.5 | 40/32 |

Note: Test Ports are 7mm Schrader valves with Protective Caps



| Model | Description | Pack Size | Weight (kg) | Weight (lbs) | Diameter Ø (mm) |
|---------|-----------------------|-----------|-------------|--------------|-----------------|
| 302-040 | UPP® Fusion Seal 40mm | 45 | 0.1 | 0.22 | 40 |



| Model | Description | Weight (kg) | Weight (lbs) |
|-------------|-------------------------|-------------|--------------|
| ESI-CAP-012 | Weld Pin Protection Cap | 0.004 | 0.01 |



Related Items

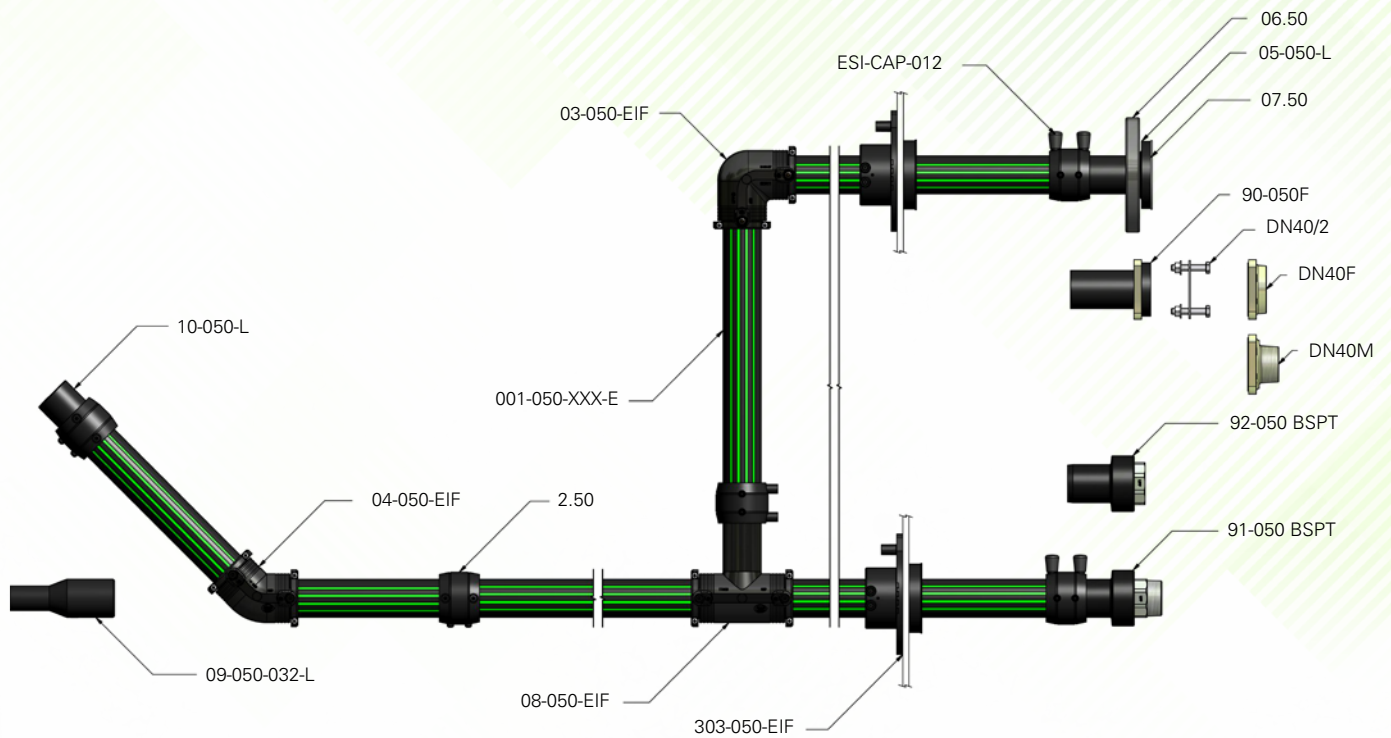
| Model | Description | Pack Size | Weight (kg) | Weight (lbs) |
|----------|---|-----------|-------------|--------------|
| LDT 60-1 | Leak Detection Tube Kit - not for use with STB-100 product offering | 1 | 0.05 | 0.11 |



| Model | Description | Pack Size | Weight (kg) | Weight (lbs) |
|---------|---|-----------|-------------|--------------|
| BPT-200 | Leak Detection Tube Kit - for use with STB-100 product offering | 1 | 0.05 | 0.11 |



50 MM 1½" PRIMARY



| Model | Description | Unit | Weight (kg/m) | Weight (lbs/ft) | Diameter Ø (mm) |
|---------------|----------------------------------|-------|---------------|-----------------|-----------------|
| 001-050-006-E | UPP® Extra Pipe 50mm Stick 5.8 m | 672.8 | 0.66 | 0.45 | 50 |
| 001-050-050-E | UPP® Extra Pipe 50mm Coil 50 m | 50m | 0.66 | 0.45 | 50 |
| 001-050-100-E | UPP® Extra Pipe 50mm Coil 100 m | 100m | 0.66 | 0.45 | 50 |



| Model | Description | Pack Size | Weight (kg) | Weight (lbs) | Diameter Ø (mm) |
|-------|--------------------------|-----------|-------------|--------------|-----------------|
| 02.50 | UPP® Fusion Coupler 50mm | 20 | 0.08 | 0.18 | 50 |



| Model | Description | Pack Size | Weight (kg) | Weight (lbs) | Diameter Ø (mm) |
|----------|---------------------------|-----------|-------------|--------------|-----------------|
| 03-050-L | UPP® Plain Elbow 90° 50mm | 30 | 0.16 | 0.35 | 50 |



| Model | Description | Pack Size | Weight (kg) | Weight (lbs) | Diameter Ø (mm) |
|------------|-----------------------------------|-----------|-------------|--------------|-----------------|
| 03-050-EIF | UPP® Electrofusion Elbow 90° 50mm | 30 | 0.2 | 0.44 | 50 |



UPP® PIPEWORK SYSTEM

| Model | Description | Pack Size | Weight (kg) | Weight (lbs) | Diameter Ø (mm) |
|----------|---------------------------|-----------|-------------|--------------|-----------------|
| 04-050-L | UPP® Plain Elbow 45° 50mm | 22 | 0.13 | 0.29 | 50 |



| Model | Description | Pack Size | Weight (kg) | Weight (lbs) | Diameter Ø (mm) |
|------------|-----------------------------------|-----------|-------------|--------------|-----------------|
| 04-050-EIF | UPP® Electrofusion Elbow 45° 50mm | 22 | 0.13 | 0.29 | 50 |



| Model | Description | Pack Size | Weight (kg) | Weight (lbs) | Diameter Ø (mm) |
|----------|-------------------------------------|-----------|-------------|--------------|-----------------|
| 05-050-A | Stub, ANSI | 50 | 0.12 | 0.26 | 50 |
| 05-050-L | UPP® Stub 50mm | 50 | 0.12 | 0.26 | 50 |
| 06.50 | UPP® Flange Circular PN16 DN40 50mm | 17 | 1.54 | 3.4 | 50 |
| 07.50 | UPP® Gasket 50mm for Stub | 10 | 0.02 | 0.04 | 50 |



| Model | Description | Pack Size | Weight (kg) | Weight (lbs) | Diameter Ø (mm) |
|----------|---------------------------|-----------|-------------|--------------|-----------------|
| 08-050-L | UPP® Plain Tee Equal 50mm | 20 | 0.21 | 0.46 | 50 |



| Model | Description | Pack Size | Weight (kg) | Weight (lbs) | Diameter Ø (mm) |
|------------|-----------------------------|-----------|-------------|--------------|-----------------|
| 08-050-EIF | UPP® Electrofusion Tee 50mm | 22 | 0.25 | 0.55 | 50 |



| Model | Description | Pack Size | Weight (kg) | Weight (lbs) | Diameter Ø (mm) |
|--------------|---------------------------------------|-----------|-------------|--------------|-----------------|
| 09-050-032-L | UPP® Plain Reducer 50x32mm | 40 | 0.07 | 0.15 | 50/32 |
| 09-063-050-L | UPP® Plain Reducer 63x50mm (pictured) | 24 | 0.13 | 0.29 | 63/50 |
| 09-090-050-L | UPP® Plain Reducer 90x50mm | 15 | 0.29 | 0.64 | 90/50 |



| Model | Description | Pack Size | Weight (kg) | Weight (lbs) | Diameter Ø (mm) |
|----------------|------------------------------------|-----------|-------------|--------------|-----------------|
| 09-063-050-EIF | UPP® Electrofusion Reducer 63x50mm | 30 | 0.35 | 0.77 | 63/50 |



| Model | Description | Pack Size | Weight (kg) | Weight (lbs) | Diameter Ø (mm) |
|----------|-------------------|-----------|-------------|--------------|-----------------|
| 10-050-L | UPP® End Cap 50mm | 30 | 0.05 | 0.11 | 50 |



| Model | Description | Pack Size | Weight (kg) | Weight (lbs) | Diameter Ø (mm) |
|-------------|-------------------------------------|-----------|-------------|--------------|-----------------|
| 303-050-EIF | Fusion Seal with Integrated Coupler | 20 | 0.21 | 0.46 | 50 |



| Model | Description | Weight (kg) | Weight (lbs) |
|-------------|-------------------------|-------------|--------------|
| ESI-CAP-012 | Weld Pin Protection Cap | 0.004 | 0.01 |



| Model | Description | Pack Size | Weight (kg) | Weight (lbs) | Diameter Ø (mm) |
|---------|--|-----------|-------------|--------------|-----------------|
| 90-050F | UPP® Flanged Termination 50mm | 6 | 0.35 | 0.77 | 50 |
| DN40M | UPP® Coupling Flange 1½" BSPT Male | 30 | 0.49 | 1.08 | 50 |
| DN40F | UPP® Coupling Flange 1½" BSPP Female | 30 | 0.418 | 0.92 | 50 |
| DN40/2 | UPP® Gasket & Bolt Set for Coupling Flange DN 40 | 1 | 0.12 | 0.26 | 50 |



| Model | Description | Pack Size | Weight (kg) | Weight (lbs) | Diameter Ø (mm) |
|-------------|---------------------------------------|-----------|-------------|--------------|-----------------|
| 91-050 BSPT | UPP® Termination 50mm x 1½" BSPT Male | 16 | 0.52 | 1.15 | 50 |
| 91-050 NPT | UPP® Termination 50mm x 1½" NPT Male | 16 | 0.52 | 1.15 | 50 |



| Model | Description | Pack Size | Weight (kg) | Weight (lbs) | Diameter Ø (mm) |
|----------------|---|-----------|-------------|--------------|-----------------|
| 81.050 SS BSPT | UPP® Stainless Steel Termination 50mm x 1½" BSPT Male | 20 | 0.502 | 1.11 | 50 |



| Model | Description | Pack Size | Weight (kg) | Weight (lbs) | Diameter Ø (mm) |
|-------------|---|-----------|-------------|--------------|-----------------|
| 92-050 BSPT | UPP® Termination 50mm x 1½" BSPT Female | 16 | 0.34 | 0.75 | 50 |
| 92-050 NPT | UPP® Termination 50mm x 1½" NPT Female | 16 | 0.34 | 0.75 | 50 |



| Model | Description | Pack Size | Weight (kg) | Weight (lbs) | Diameter Ø (mm) |
|----------------|---|-----------|-------------|--------------|-----------------|
| 82.050 SS BSPP | UPP® Stainless Steel Termination 50mm x 1½" BSPP Female | 30 | 0.575 | 1.27 | 50 |



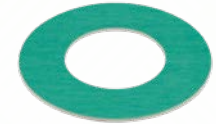
| Model | Description | Pack Size | Weight (kg) | Weight (lbs) | Diameter Ø (mm) |
|-----------------|--|-----------|-------------|--------------|-----------------|
| 92-050 U/F BSPT | UPP® Union Termination 50mm x 1½" BSPT | 16 | 0.61 | 1.34 | 50 |
| 92-050 U/F NPT | UPP® Union Termination 50mm x 1½" NPT | 16 | 0.61 | 1.34 | 50 |



| Model | Description | Pack Size | Weight (kg) | Weight (lbs) | Diameter Ø (mm) |
|-------------|--|-----------|-------------|--------------|-----------------|
| 91-050-TOOL | Plate Spanner 50A/F 91-050 For all Male 50mm sizes | 1 | 0.8 | 1.7 | 50 |
| 92-050-TOOL | Plate Spanner 55A/F 92-050 For all Female 50mm sizes | 1 | 0.9 | 1.9 | 50 |



| Model | Description | Pack Size | Weight (kg) | Weight (lbs) | Diameter Ø (mm) |
|--------|--------------------------|-----------|-------------|--------------|-----------------|
| 11.50G | Spare Gasket for 11.50UF | 10 | 0.004 | 0.01 | 50 |



| Model | Description | Pack Size | Weight (kg) | Weight (lbs) | Diameter Ø (mm) |
|-------------|--|-----------|-------------|--------------|-----------------|
| 12-050 BSPT | Compression Termination 50mm/1 1/2" diameter - BSPT Male | 10 | 0.6 | 1.32 | 50 |

Note: Supplied as an assembly with the necessary gasket or olive



| Model | Description | Pack Size | Weight (kg) | Weight (lbs) | Diameter Ø (mm) |
|-------------|--------------------------------|-----------|-------------|--------------|-----------------|
| 408 046 001 | O Ring NBR 35 x 2.5 for 12-050 | 1 | 0.001 | 0.002 | 50 |



| Model | Description | Pack Size | Weight (kg) | Weight (lbs) | Diameter Ø (mm) |
|--------------|--|-----------|-------------|--------------|-----------------|
| 11-501M BSPT | UPP® Compression Termination 50mm x 1 1/2" BSPT Male | 10 | 1.02 | 2.25 | 50 |

Note: Supplied as an assembly with the necessary gasket or olive



| Model | Description | Pack Size | Weight (kg) | Weight (lbs) | Diameter Ø (mm) |
|--------------|--|-----------|-------------|--------------|-----------------|
| 11-503F BSPT | UPP® Compression Elbow 50mm x 1 1/2" BSPT Female | 5 | 1.58 | 3.48 | 50 |

Note: Supplied as an assembly with the necessary gasket or olive



| Model | Description | Pack Size | Weight (kg) | Weight (lbs) | Diameter Ø (mm) |
|-------------|---|-----------|-------------|--------------|-----------------|
| 11.508 BSPT | UPP® Compression Tee 50mm x 1 1/2" BSP Female | 5 | 2.5 | 5.51 | 50 |

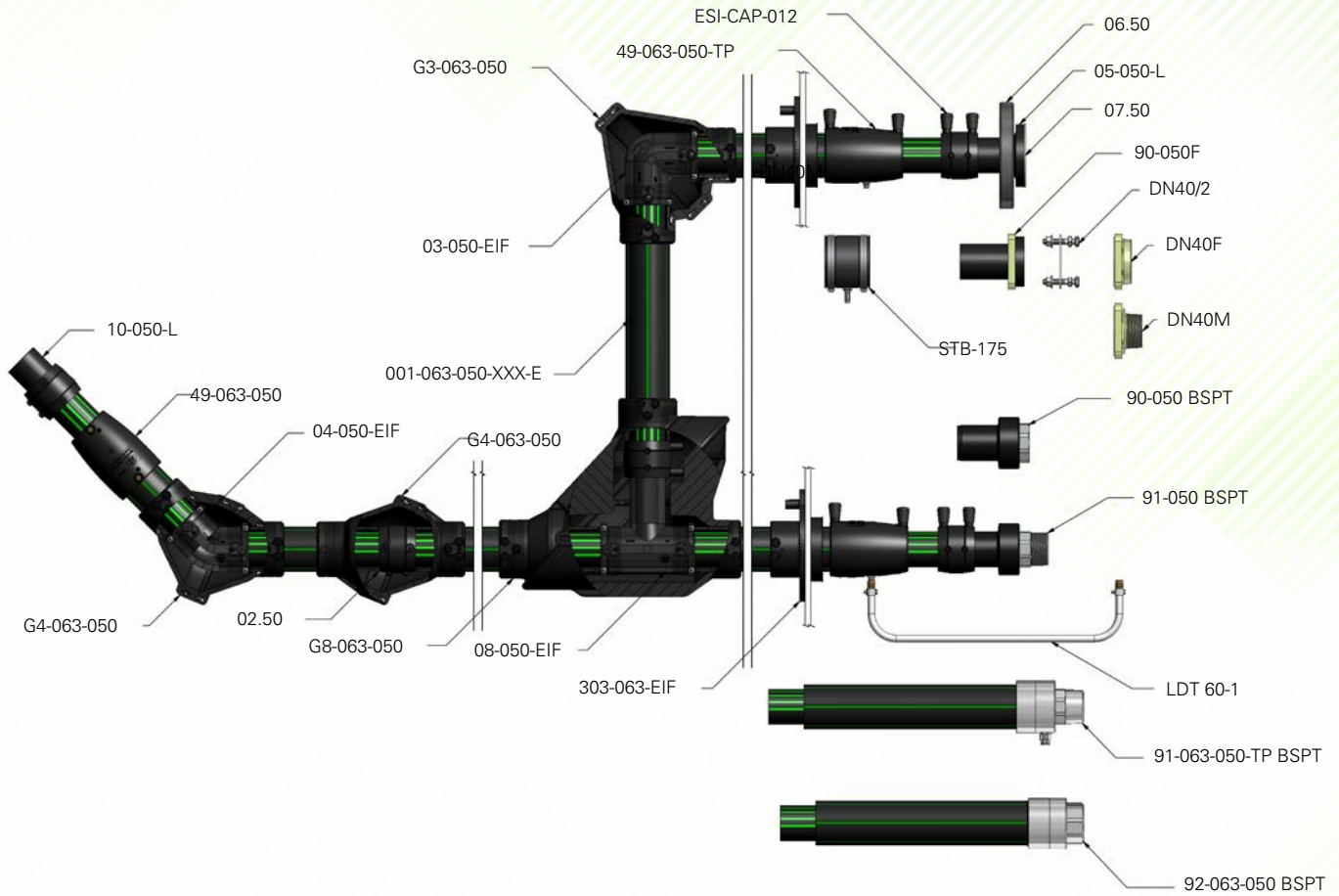
Note: Supplied as an assembly with the necessary gasket or olive



| Model | Description | Pack Size | Weight (kg) | Weight (lbs) | Diameter Ø (mm) |
|-----------|------------------------|-----------|-------------|--------------|-----------------|
| 11-50X OL | Spare Olive for 11-50X | 10 | 0.02 | 0.04 | 50 |



63X50 MM 1½" SECONDARY CONTAINMENT



| Model | Description | Unit | Weight (kg/m) | Weight (lbs/ft) | Diameter Ø (mm) |
|-------------------|---|------|---------------|-----------------|-----------------|
| 001-063-050-030-E | UPP® Extra Coaxial Pipe 50mm Coil 30 m | 30m | 1.17 | 0.78 | 63/50 |
| 001-063-050-100-E | UPP® Extra Coaxial Pipe 50mm Coil 100 m | 100m | 1.17 | 0.78 | 63/50 |



| Model | Description | Pack Size | Weight (kg) | Weight (lbs/ft) | Diameter Ø (mm) |
|------------------|--------------------------------------|-----------|-------------|-----------------|-----------------|
| 000-063-006-SC-E | UPP® Secondary Pipe 63mm Stick 5.8 m | 394.4 | 0.5 | 0.34 | 63 |



| Model | Description | Pack Size | Weight (kg) | Weight (lbs) | Diameter Ø (mm) |
|------------|-----------------------------------|-----------|-------------|--------------|-----------------|
| G3-063-050 | SC 63x50mm UPP® Gemini® 90° Elbow | 8 | 0.77 | 1.69 | 63 |



| Model | Description | Pack Size | Weight (kg) | Weight (lbs) | Diameter Ø (mm) |
|------------|---|-----------|-------------|--------------|-----------------|
| G4-063-050 | SC 63x50mm UPP® Gemini® 45° Elbow OR SC 63x50mm UPP® Gemini® Inline Joint | 8 | 0.63 | 2.64 | 63 |



| Model | Description | Pack Size | Weight (kg) | Weight (lbs) | Diameter Ø (mm) |
|------------|-----------------------------|-----------|-------------|--------------|-----------------|
| G8-063-050 | SC 63x50mm UPP® Gemini® Tee | | 2.28 | 5.02 | 63 |



| Model | Description | Pack Size | Weight (kg) | Weight (lbs) | Diameter Ø (mm) |
|--------------------|--|-----------|-------------|--------------|-----------------|
| 91-063-050 BSPT | Male, 63x50mm, BSPT thread | 6 | 1.64 | 3.6 | 63/50 |
| 91-063-050-TP BSPT | Male, 63x50mm, BSPT thread, with test port | 6 | 1.64 | 3.6 | 63/50 |



| Model | Description | Pack Size | Weight (kg) | Weight (lbs) | Diameter Ø (mm) |
|--------------------|--|-----------|-------------|--------------|-----------------|
| 92-063-050 BSPT | Female, 63x50mm, BSPT thread | 6 | 1.52 | 3.4 | 63/50 |
| 92-063-050-TP BSPT | Female, 63x50mm, BSPT thread, with test port | 6 | 1.52 | 3.4 | 63/50 |



| Model | Description | Pack Size | Weight (kg) | Weight (lbs) | Diameter Ø (mm) |
|-----------|------------------------------------|-----------|-------------|--------------|-----------------|
| 02.63(SC) | UPP® Fusion Coupler 63mm Secondary | 20 | 0.1 | 0.22 | 63 |



| Model | Description | Pack Size | Weight (kg) | Weight (lbs) | Diameter Ø (mm) |
|---------------|--|-----------|-------------|--------------|-----------------|
| 49-063-050 | UPP® Fusion Reducer 63x50mm Secondary | 45 | 0.18 | 0.4 | 63/50 |
| 49-063-050-TP | UPP® Fusion Reducer 63x50mm Secondary with Test Port | 45 | 0.2 | 0.44 | 63/50 |



| Model | Description | Pack Size | Weight (kg) | Weight (lbs) | Diameter Ø (mm) |
|----------------|---|-----------|-------------|--------------|-----------------|
| 49-110-063(SC) | UPP® Sliding Reducer 110x63mm Secondary | 15 | 0.48 | 1.06 | 110/63 |



| Model | Description | Pack Size | Weight (kg) | Weight (lbs) | Diameter Ø (mm) |
|---------|---|-----------|-------------|--------------|-----------------|
| STB-175 | Test Boot Secondary with Test Port - 63x50mm diameter | 1 | 0.2 | 0.5 | 63/50 |

Note: Test Ports are 7mm Schrader valves with Protective Caps.



| Model | Description | Pack Size | Weight (kg) | Weight (lbs) | Diameter Ø (mm) |
|-------------|---|-----------|-------------|--------------|-----------------|
| 303-063-EIF | UPP® Fusion Seal 63mm with Integrated Coupler | 20 | 0.24 | 0.53 | 63 |



| Model | Description | Weight (kg) | Weight (lbs) |
|-------------|-------------------------|-------------|--------------|
| ESI-CAP-012 | Weld Pin Protection Cap | 0.004 | 0.01 |



Related Items

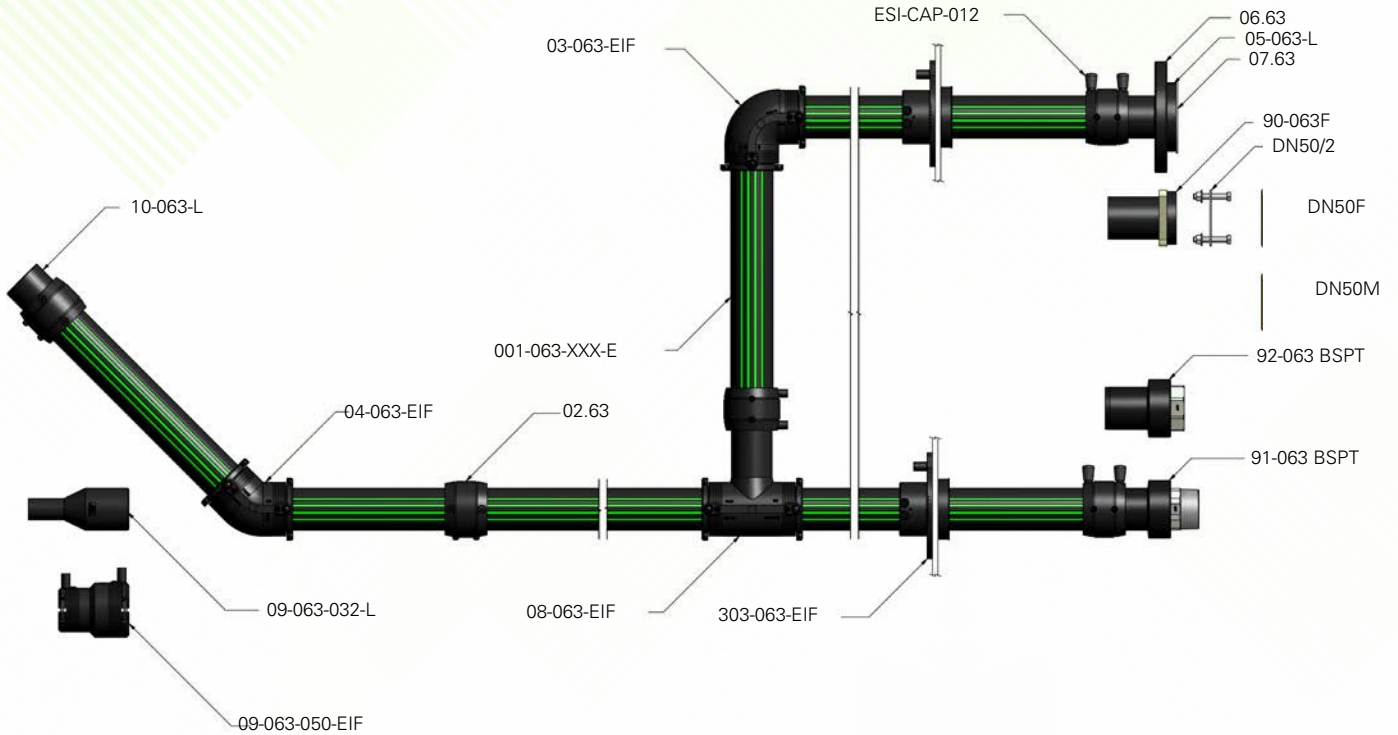
| Model | Description | Pack Size | Weight (kg) | Weight (lbs) |
|----------|---|-----------|-------------|--------------|
| LDT 60-1 | Leak Detection Tube Kit - not for use with STB-100 product offering | 1 | 0.05 | 0.11 |



| Model | Description | Pack Size | Weight (kg) | Weight (lbs) |
|---------|---|-----------|-------------|--------------|
| BPT-200 | Leak Detection Tube Kit - for use with STB-100 product offering | 1 | 0.05 | 0.11 |



63 MM 2" PRIMARY



| Model | Description | Pack Size | Weight (kg/m) | Weight (lbs/ft) | Diameter Ø (mm) |
|---------------|----------------------------------|-----------|---------------|-----------------|-----------------|
| 001-063-006-E | UPP® Extra Pipe 63mm Stick 5.8 m | 394.4 | 0.89 | 0.59 | 63 |
| 001-063-008-E | UPP® Extra Pipe 63mm Stick 8 m | 544m | 0.89 | 0.59 | 63 |
| 001-063-100-E | UPP® Extra Pipe 63mm Coil 100 m | 100m | 0.89 | 0.59 | 63 |



| Model | Description | Pack Size | Weight (kg) | Weight (lbs) | Diameter Ø (mm) |
|---------|--------------------------|-----------|-------------|--------------|-----------------|
| 02.63 | UPP® Fusion Coupler 63mm | 25 | 0.12 | 0.26 | 63 |
| 02-63-L | Fusion Coupler Long | 10 | 0.18 | 0.39 | 63 |



| Model | Description | Pack Size | Weight (kg) | Weight (lbs) | Diameter Ø (mm) |
|----------|---------------------------|-----------|-------------|--------------|-----------------|
| 03-063-L | UPP® Plain Elbow 90° 63mm | 20 | 0.27 | 0.6 | 63 |



| Model | Description | Pack Size | Weight (kg) | Weight (lbs) | Diameter Ø (mm) |
|------------|-----------------------------------|-----------|-------------|--------------|-----------------|
| 03-063-EIF | UPP® Electrofusion Elbow 90° 63mm | 18 | 0.3 | 0.66 | 63 |



| Model | Description | Pack Size | Weight (kg) | Weight (lbs) | Diameter Ø (mm) |
|----------|---------------------------|-----------|-------------|--------------|-----------------|
| 04-063-L | UPP® Plain Elbow 45° 63mm | 50 | 0.22 | 0.49 | 63 |



| Model | Description | Pack Size | Weight (kg) | Weight (lbs) | Diameter Ø (mm) |
|------------|-----------------------------------|-----------|-------------|--------------|-----------------|
| 04-063-EIF | UPP® Electrofusion Elbow 45° 63mm | 24 | 0.25 | 0.55 | 63 |



| Model | Description | Pack Size | Weight (kg) | Weight (lbs) | Diameter Ø (mm) |
|----------|-------------------------------------|-----------|-------------|--------------|-----------------|
| 05-063-L | UPP® Stub 63mm | 30 | 0.18 | 0.4 | 63 |
| 06.63 | UPP® Flange Circular PN16 DN50 63mm | 15 | 0.88 | 1.94 | 63 |
| 07.63 | UPP® Gasket 63mm for Stub | 10 | 0.02 | 0.04 | 63 |



Note: ANSI version is available.

| Model | Description | Pack Size | Weight (kg) | Weight (lbs) | Diameter Ø (mm) |
|----------|---------------------------|-----------|-------------|--------------|-----------------|
| 08-063-L | UPP® Plain Tee Equal 63mm | 25 | 0.37 | 0.82 | 63 |



| Model | Description | Pack Size | Weight (kg) | Weight (lbs) | Diameter Ø (mm) |
|------------|-----------------------------|-----------|-------------|--------------|-----------------|
| 08-063-EIF | UPP® Electrofusion Tee 63mm | 12 | 0.41 | 0.9 | 63 |



| Model | Description | Pack Size | Weight (kg) | Weight (lbs) | Diameter Ø (mm) |
|--------------|----------------------------|-----------|-------------|--------------|-----------------|
| 08-090-063-L | UPP® Reducing Tee 90x63mm | 15 | 0.83 | 1.83 | 90 |
| 08-110-063-L | UPP® Reducing Tee 110x63mm | 10 | 1.27 | 2.8 | 110 |



| Model | Description | Pack Size | Weight (kg) | Weight (lbs) | Diameter Ø (mm) |
|--------------|---------------------------------------|-----------|-------------|--------------|-----------------|
| 09-063-032-L | UPP® Plain Reducer 63x32mm | 15 | 0.29 | 0.64 | 63/32 |
| 09-063-050-L | UPP® Plain Reducer 63x50mm | 15 | 0.29 | 0.64 | 63/50 |
| 09-090-063-L | UPP® Plain Reducer 90x63mm (pictured) | 20 | 0.32 | 0.71 | 90/63 |
| 09-110-063-L | UPP® Plain Reducer 110x63mm | 30 | 0.35 | 0.77 | 110/63 |



| Model | Description | Pack Size | Weight (kg) | Weight (lbs) | Diameter Ø (mm) |
|----------------|---|-----------|-------------|--------------|-----------------|
| 09-063-050-EIF | UPP® Electrofusion Reducer 63x50mm | 30 | 0.35 | 0.77 | 63/50 |
| 09-090-063-EIF | UPP® Electrofusion Reducer 90x63mm (pictured) | 30 | 0.35 | 0.77 | 90/63 |



| Model | Description | Pack Size | Weight (kg) | Weight (lbs) | Diameter Ø (mm) |
|----------|-------------------|-----------|-------------|--------------|-----------------|
| 10-063-L | UPP® End Cap 63mm | 50 | 0.08 | 0.18 | 63 |



| Model | Description | Pack Size | Weight (kg) | Weight (lbs) | Diameter Ø (mm) |
|-------------|-------------------------------------|-----------|-------------|--------------|-----------------|
| 303-063-EIF | Fusion Seal with Integrated Coupler | 20 | 0.24 | 0.53 | 63 |



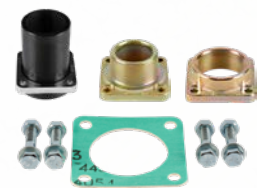
| Model | Description | Weight (kg) | Weight (lbs) |
|-------------|-------------------------|-------------|--------------|
| ESI-CAP-012 | Weld Pin Protection Cap | 0.004 | 0.01 |



| Model | Description | Pack Size | Weight (kg) | Weight (lbs) | Diameter Ø (mm) |
|-------------|------------------|-----------|-------------|--------------|-----------------|
| 12.63.ORING | O Ring for 12.63 | 1 | 0.002 | 0.004 | 63 |



| Model | Description | Pack Size | Weight (kg) | Weight (lbs) | Diameter Ø (mm) |
|-----------|--|-----------|-------------|--------------|-----------------|
| 90-063F | UPP® Flanged Termination 63mm | 6 | 0.4 | 0.88 | 63 |
| DN50M | UPP® Coupling Flange 2" BSPT Male | 25 | 0.66 | 1.46 | 2" |
| DN50M NPT | UPP® Coupling Flange 2" NPT Male | 40 | 0.634 | 1.4 | 2" |
| DN50F | UPP® Coupling Flange 2" BSP Female | 30 | 0.498 | 1.1 | 2" |
| DN50/2 | UPP® Gasket & Bolt Set for Coupling Flange DN 50 | 1 | 0.108 | 0.24 | -- |



* Available on request.

| Model | Description | Pack Size | Weight (kg) | Weight (lbs) | Diameter Ø (mm) |
|---------------|---------------------------------------|-----------|-------------|--------------|-----------------|
| 91-063-1 BSPT | UPP® Termination 63mm x 1½" BSPT Male | 9 | 0.59 | 1.34 | 63 |
| 91-063-1 NPT | UPP® Termination 63mm x 1½" NPT Male | 9 | 0.59 | 1.34 | 63 |



| Model | Description | Pack Size | Weight (kg) | Weight (lbs) | Diameter Ø (mm) |
|-------------|--------------------------------------|-----------|-------------|--------------|-----------------|
| 91-063 BSPT | UPP® Termination 63mm x 2" BSPT Male | 9 | 0.7 | 1.54 | 63 |
| 91-063 NPT | UPP® Termination 63mm x 2" NPT Male | 9 | 0.7 | 1.54 | 63 |



| Model | Description | Pack Size | Weight (kg) | Weight (lbs) | Diameter Ø (mm) |
|----------------|---|-----------|-------------|--------------|-----------------|
| 81.063 SS BSPT | UPP® SS Termination 63mm x 2" BSPT Male | 20 | 0.756 | 1.67 | 63 |



| Model | Description | Pack Size | Weight (kg) | Weight (lbs) | Diameter Ø (mm) |
|---------------|---|-----------|-------------|--------------|-----------------|
| 92-063-1 BSPT | UPP® Termination 63mm x 1½" BSPT Female | 9 | 0.42 | 0.93 | 63 |
| 92-063-1 NPT | UPP® Termination 63mm x 1½" NPT Female | 9 | 0.42 | 0.93 | 63 |



| Model | Description | Pack Size | Weight (kg) | Weight (lbs) | Diameter Ø (mm) |
|-------------|--|-----------|-------------|--------------|-----------------|
| 92-063 BSPT | UPP® Termination 63mm x 2" BSPT Female | 9 | 0.55 | 1.21 | 63 |
| 92-063 NPT | UPP® Termination 63mm x 2" NPT Female | 9 | 0.55 | 1.21 | 63 |



| Model | Description | Pack Size | Weight (kg) | Weight (lbs) | Diameter Ø (mm) |
|----------------|---|-----------|-------------|--------------|-----------------|
| 82.063 SS BSPP | UPP® SS Termination 63mm x 2" BSPP Female | 20 | 0.785 | 1.73 | 63 |



| Model | Description | Pack Size | Weight (kg) | Weight (lbs) | Diameter Ø (mm) |
|----------------|---------------------------------------|-----------|-------------|--------------|-----------------|
| 92-063 UF BSPT | UPP® Union Termination 63mm x 2" BSPT | 9 | 0.91 | 2.01 | 63 |
| 92-063UF NPT | UPP® Union Termination 63mm x 2" NPT | 9 | 0.91 | 2.01 | 63 |



Note: The Union and Compression Transitions are supplied as an assembly with the necessary gasket or olive

| Model | Description | Pack Size | Weight (kg) | Weight (lbs) | Diameter Ø (mm) |
|---------------|---|-----------|-------------|--------------|-----------------|
| 12-063-1 BSPT | Compression Termination 50mm/1½" diameter - BSPT Male | 10 | 1.2 | 2.64 | 63 |
| 12-063 BSPT | Compression Termination 63mm/2" diameter - BSPT Male | 10 | 1.15 | 2.53 | 63 |



Note: The Union and Compression Transitions are supplied as an assembly with the necessary gasket or olive

| Model | Description | Pack Size | Weight (kg) | Weight (lbs) | Diameter Ø (mm) |
|-------------|------------------------------|-----------|-------------|--------------|-----------------|
| 408-045-001 | O Ring NBR 48 x 3 for 12-063 | 1 | 0.001 | 0.002 | 50 |



| Model | Description | Pack Size | Weight (kg) | Weight (lbs) | Diameter Ø (mm) |
|----------------|--|-----------|-------------|--------------|-----------------|
| 11-631M BSPT | Compression Termination 63mm/2" diameter - BSPT | 1 | 0.98 | 2.16 | 63 |
| 11-631M-1 BSPT | Compression Termination 63mm/1½" diameter - BSPT | 1 | 0.98 | 2.16 | 63 |



Note: The Union and Compression Transitions are supplied as an assembly with the necessary gasket or olive

| Model | Description | Pack Size | Weight (kg) | Weight (lbs) | Diameter Ø (mm) |
|-----------|------------------------|-----------|-------------|--------------|-----------------|
| 11-63X OL | Spare Olive for 11-63X | 10 | 0.02 | 0.04 | 63 |



| Model | Description | Pack Size | Weight (kg) | Weight (lbs) | Diameter Ø (mm) |
|-------------|--|-----------|-------------|--------------|-----------------|
| 91-063-TOOL | Plate Spanner 62A/F 91-063 For all Male 63mm sizes | 1 | 1.1 | 2.4 | 63 |
| 92-063-TOOL | Plate Spanner 67A/F 92-063 For all Male 63mm sizes | 1 | 1.2 | 2.6 | 63 |



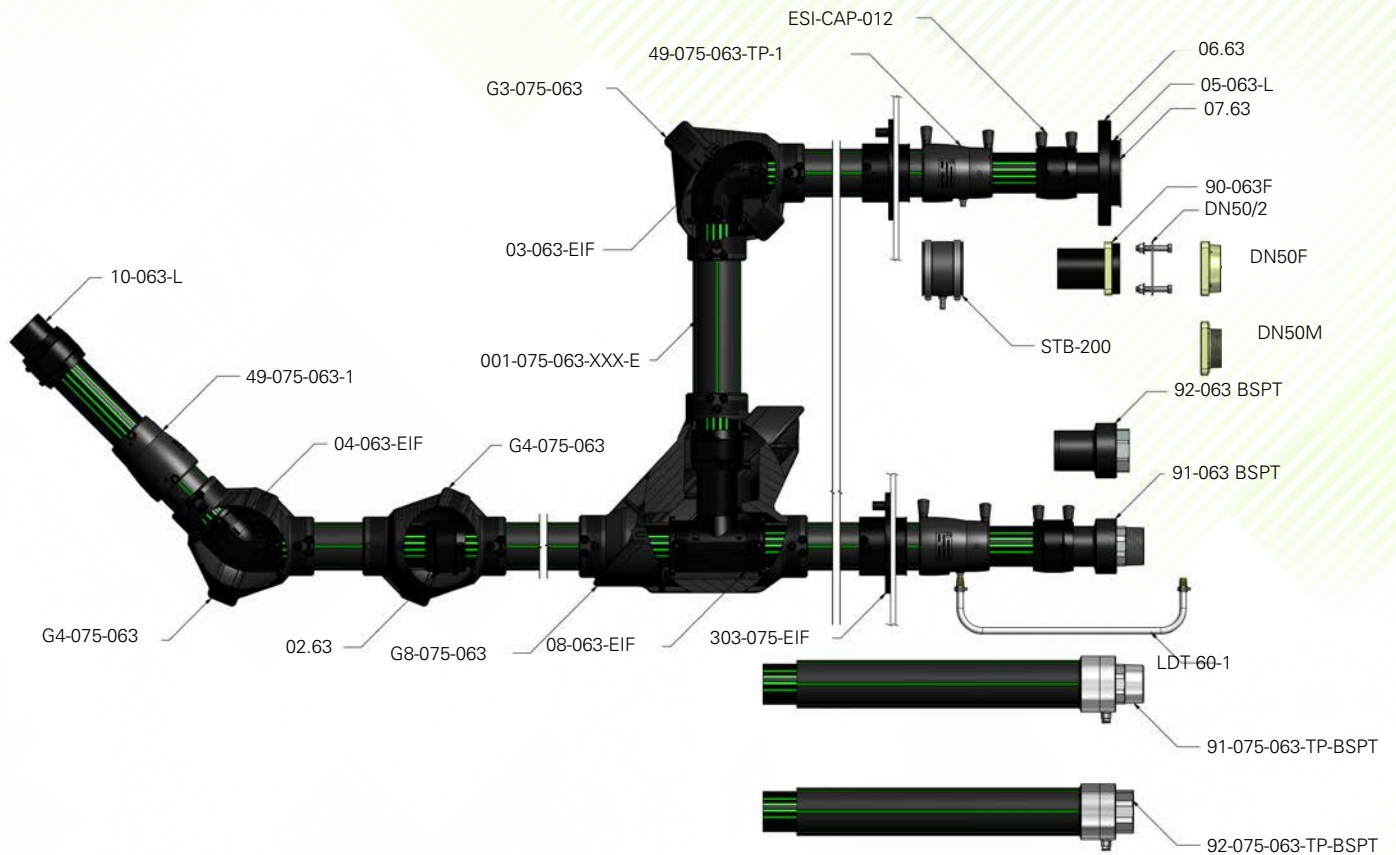
| Model | Description | Pack Size | Weight (kg) | Weight (lbs) | Diameter Ø (mm) |
|--------|--------------------------------|-----------|-------------|--------------|-----------------|
| 11.63G | Spare Gasket for 63UF fittings | 10 | 0.003 | 0.01 | 63 |



| Model | Description | Pack Size | Weight (kg) | Weight (lbs) | Diameter Ø (mm) |
|-------|------------------------------|-----------|-------------|--------------|------------------|
| BV(2) | Ball Valve 2" BSP F/F ½ Turn | 1 | 1.99 | 4.39 | Galvanised Steel |



75X63 MM 2" SECONDARY CONTAINMENT



| Model | Description | Pack Size | Weight (kg/m) | Weight (lbs/ft) | Diameter Ø (mm) |
|-------------------|---------------------------------------|-----------|---------------|-----------------|-----------------|
| 001-075-063-010-E | UPP® Extra Coaxial Pipe 63mm L=10M | 460m | 1.72 | 1.15 | 75/63 |
| 001-075-063-030-E | UPP® Extra Coaxial Pipe 63mm Coil 30M | 30m | 1.72 | 1.15 | 75/63 |
| 001-075-063-050-E | UPP® Extra Coaxial Pipe 63mm Coil 50M | 50m | 1.72 | 1.15 | 75/63 |



| Model | Description | Pack Size | Weight (kg) | Weight (lbs/ft) | Diameter Ø (mm) |
|------------------|----------------------------------|-----------|-------------|-----------------|-----------------|
| 000-075-006-SC-E | UPP® Secondary Pipe 75mm L=5.8M | 276m | 0.67 | 0.45 | 75 |
| 000-075-008-SC-E | UPP® Secondary Pipe 75mm L=8M | 368m | 0.67 | 0.45 | 75 |
| 000-110-006-SC-E | UPP® Secondary Pipe 110mm L=5.8M | 138m | 1.46 | 0.98 | 110 |



UPP® PIPEWORK SYSTEM

| Model | Description | Pack Size | Weight (kg) | Weight (lbs) | Diameter Ø (mm) |
|------------|-----------------------------------|-----------|-------------|--------------|-----------------|
| G3-075-063 | SC 75x63mm UPP® Gemini® 90° Elbow | 6 | 1.2 | 2.64 | 75 |



| Model | Description | Pack Size | Weight (kg) | Weight (lbs) | Diameter Ø (mm) |
|------------|---|-----------|-------------|--------------|-----------------|
| G4-075-063 | SC 75x63mm UPP® Gemini® 45° Elbow OR SC 75x63mm UPP® Gemini® Inline Elbow | 6 | 0.93 | 2.08 | 75 |



| Model | Description | Pack Size | Weight (kg) | Weight (lbs) | Diameter Ø (mm) |
|------------|---------------------------|-----------|-------------|--------------|-----------------|
| G8-075-063 | SC 75x63 UPP® Gemini® Tee | 2 | 2.98 | 6.65 | 75 |



| Model | Description | Pack Size | Weight (kg) | Weight (lbs) | Diameter Ø (mm) |
|----------------------|---|-----------|-------------|--------------|-----------------|
| 91-075-063-1-TP BSPT | Male, 75x63mm, 1½" BSPT thread with test port | 4 | 2.1 | 4.6 | 75/63 |
| 91-075-063-TP BSPT | Male, 75x63mm, 2" BSPT thread, with test port | 4 | 2.1 | 4.6 | 75/63 |



| Model | Description | Pack Size | Weight (kg) | Weight (lbs) | Diameter Ø (mm) |
|--------------------|---|-----------|-------------|--------------|-----------------|
| 92-075-063-1 BSPT | Female, 75x63mm, 1½" BSPT thread | 4 | 2 | 4.4 | 75/63 |
| 92-075-063-TP BSPT | Female, 75x63mm, 2" BSPT thread, with test port | 4 | 2 | 4.4 | 75/63 |



| Model | Description | Pack Size | Weight (kg) | Weight (lbs) | Diameter Ø (mm) |
|------------|---|-----------|-------------|--------------|-----------------|
| 02.75(SC) | UPP® Fusion Coupler 75mm Secondary (pictured) | 20 | 0.11 | 0.24 | 75 |
| 02.110(SC) | UPP® Fusion Coupler 110mm Secondary | 35 | 0.17 | 0.37 | 110 |



| Model | Description | Pack Size | Weight (kg) | Weight (lbs) | Diameter Ø (mm) |
|---------------|---------------------------------|-----------|-------------|--------------|-----------------|
| 09.110.75(SC) | UPP® Reducer 110x75mm Secondary | 15 | 0.1 | 0.22 | 110/75 |



| Model | Description | Pack Size | Weight (kg) | Weight (lbs) | Diameter Ø (mm) |
|-----------|------------------------------|-----------|-------------|--------------|-----------------|
| 10-075-SC | UPP® End Cap 75mm Secondary | 20 | 0.11 | 0.24 | 75 |
| 10-110-SC | UPP® End Cap 110mm Secondary | 20 | 0.4 | 0.8 | 110 |



| Model | Description | Pack Size | Weight (kg) | Weight (lbs) | Diameter Ø (mm) |
|-----------------|--|-----------|-------------|--------------|-----------------|
| 49-075-063-1 | UPP® Fusion Reducer 75x63mm Secondary | 25 | 0.2 | 0.44 | 75/63 |
| 49-075-063-TP-1 | UPP® Fusion Reducer 75x63mm Secondary with Test Port | 25 | 0.22 | 0.49 | 75/63 |



| Model | Description | Pack Size | Weight (kg) | Weight (lbs) | Diameter Ø (mm) |
|----------------|---|-----------|-------------|--------------|-----------------|
| 49-110-075(SC) | UPP® Sliding Reducer 110x75mm Secondary | 15 | 0.48 | 1.06 | 110/75 |



| Model | Description | Pack Size | Weight (kg) | Weight (lbs) | Diameter Ø (mm) |
|---------|---|-----------|-------------|--------------|-----------------|
| STB-200 | UPP® Test Boot 75x63mm Secondary with Test Port | 1 | 0.2 | 0.5 | 75/63 |

Note: Test Ports are 7mm Schrader valves with Protective Caps.



| Model | Description | Pack Size | Weight (kg) | Weight (lbs) | Diameter Ø (mm) |
|-------------|---|-----------|-------------|--------------|-----------------|
| 303-075-EIF | UPP® Fusion Seal 75mm with Integrated Coupler | 20 | 0.24 | 0.53 | 75 |



| Model | Description | Weight (kg) | Weight (lbs) |
|-------------|-------------------------|-------------|--------------|
| ESI-CAP-012 | Weld Pin Protection Cap | 0.004 | 0.01 |



Related Items

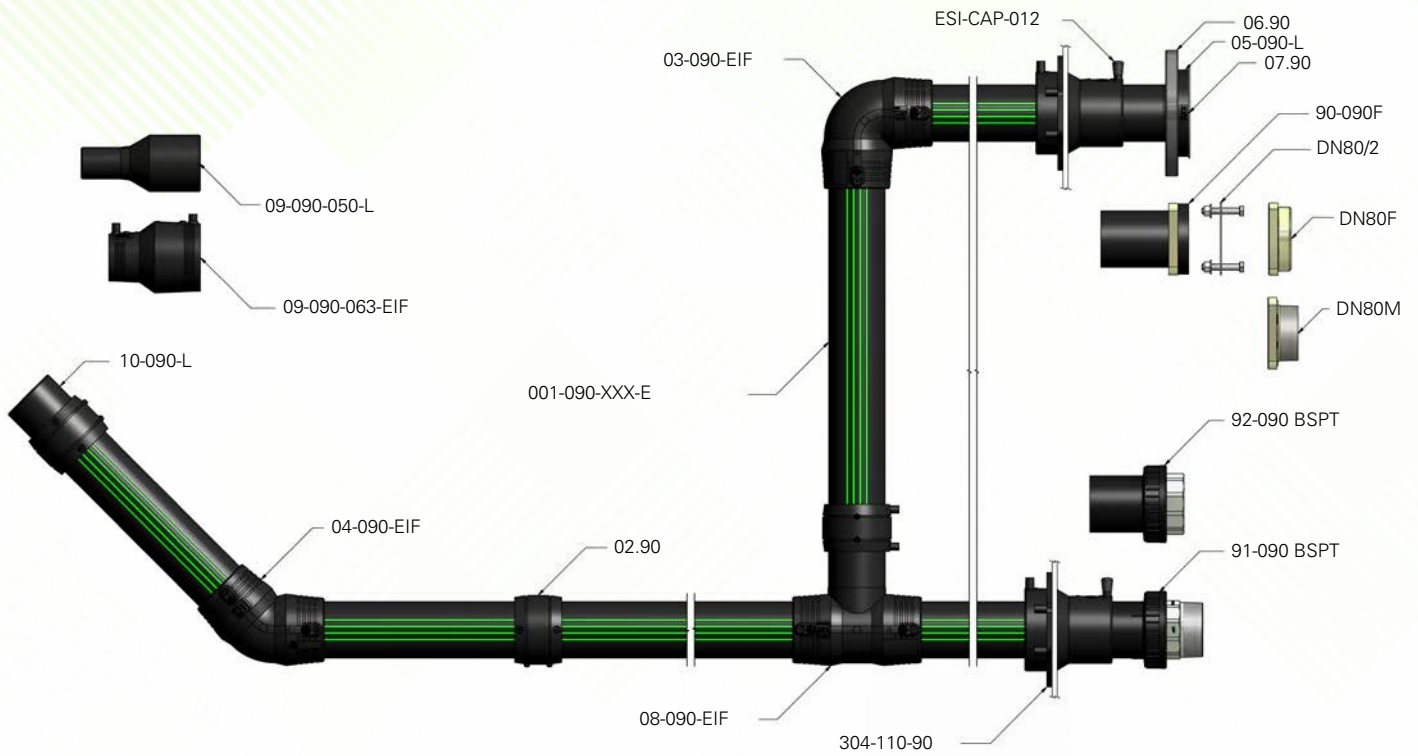
| Model | Description | Pack Size | Weight (kg) | Weight (lbs) |
|----------|---|-----------|-------------|--------------|
| LDT 60-1 | Leak Detection Tube Kit - not for use with STB-100 product offering | 1 | 0.05 | 0.11 |



| Model | Description | Pack Size | Weight (kg) | Weight (lbs) |
|---------|---|-----------|-------------|--------------|
| BPT-200 | Leak Detection Tube Kit - for use with STB-100 product offering | 1 | 0.05 | 0.11 |



90 MM 3" PRIMARY



| Model | Description | Pack Size | Weight (kg/m) | Weight (lbs/ft) | Diameter Ø (mm) |
|---------------|-------------------------------|-----------|---------------|-----------------|-----------------|
| 001-090-006-E | UPP® Extra Pipe 90mm L=5.8M | 35 sticks | 1.81 | 1.22 | 90 |
| 001-090-050-E | UPP® Extra Pipe 90mm Coil 50M | 1 | 1.81 | 1.22 | 90 |



| Model | Description | Pack Size | Weight (kg) | Weight (lbs) | Diameter Ø (mm) |
|-------|--------------------------|-----------|-------------|--------------|-----------------|
| 02.90 | UPP® Fusion Coupler 90mm | 18 | 0.2 | 0.44 | 90 |



| Model | Description | Pack Size | Weight (kg) | Weight (lbs) | Diameter Ø (mm) |
|----------|---------------------------|-----------|-------------|--------------|-----------------|
| 03-090-L | UPP® Plain Elbow 90° 90mm | 8 | 0.69 | 1.52 | 90 |



| Model | Description | Pack Size | Weight (kg) | Weight (lbs) | Diameter Ø (mm) |
|------------|-----------------------------------|-----------|-------------|--------------|-----------------|
| 03-090-EIF | UPP® Electrofusion Elbow 90° 90mm | 15 | 0.69 | 1.52 | 90 |



| Model | Description | Pack Size | Weight (kg) | Weight (lbs) | Diameter Ø (mm) |
|----------|---------------------------|-----------|-------------|--------------|-----------------|
| 04-090-L | UPP® Plain Elbow 45° 90mm | 6 | 0.57 | 1.26 | 90 |



| Model | Description | Pack Size | Weight (kg) | Weight (lbs) | Diameter Ø (mm) |
|------------|-----------------------------------|-----------|-------------|--------------|-----------------|
| 04-090-EIF | UPP® Electrofusion Elbow 45° 90mm | 20 | 0.56 | 1.23 | 90 |



| Model | Description | Pack Size | Weight (kg) | Weight (lbs) | Diameter Ø (mm) |
|----------|-------------------------------------|-----------|-------------|--------------|-----------------|
| 05-090-L | UPP® Stub 90mm | 12 | 0.48 | 1.06 | 90 |
| 06.90 | UPP® Flange Circular PN16 DN80 90mm | 9 | 1.4 | 3.09 | 90 |
| 07.90 | UPP® Gasket 90mm for Stub | 10 | 0.04 | 0.09 | 90 |



Note: ANSI version is available.

| Model | Description | Pack Size | Weight (kg) | Weight (lbs) | Diameter Ø (mm) |
|---------|---------------------------|-----------|-------------|--------------|-----------------|
| 08-90-L | UPP® Plain Tee Equal 90mm | 7 | 1.02 | 2.25 | 90 |



| Model | Description | Pack Size | Weight (kg) | Weight (lbs) | Diameter Ø (mm) |
|------------|-----------------------------|-----------|-------------|--------------|-----------------|
| 08-090-EIF | UPP® Electrofusion Tee 90mm | 10 | 0.87 | 1.92 | 90 |



| Model | Description | Pack Size | Weight (kg) | Weight (lbs) | Diameter Ø (mm) |
|--------------|---------------------------|-----------|-------------|--------------|-----------------|
| 08-090-063-L | UPP® Reducing Tee 90x63mm | 15 | 0.83 | 1.83 | 90/63 |



| Model | Description | Pack Size | Weight (kg) | Weight (lbs) | Diameter Ø (mm) |
|--------------|-----------------------------|-----------|-------------|--------------|-----------------|
| 09-090-050-L | UPP® Plain Reducer 90x50mm | 15 | 0.29 | 0.64 | 90/50 |
| 09-090-063-L | UPP® Plain Reducer 90x63mm | 20 | 0.32 | 0.71 | 90/63 |
| 09-110-090-L | UPP® Plain Reducer 110x90mm | 9 | 0.55 | 1.25 | 110/90 |



UPP® PIPEWORK SYSTEM

| Model | Description | Pack Size | Weight (kg) | Weight (lbs) | Diameter Ø (mm) |
|----------------|-------------------------------------|-----------|-------------|--------------|-----------------|
| 09-090-063-EIF | UPP® Electrofusion Reducer 90x63mm | 30 | 0.35 | 0.77 | 90/63 |
| 09-110-090-EIF | UPP® Electrofusion Reducer 110x90mm | 16 | 0.68 | 1.5 | 110/90 |



| Model | Description | Pack Size | Weight (kg) | Weight (lbs) | Diameter Ø (mm) |
|----------|-------------------|-----------|-------------|--------------|-----------------|
| 10-090-L | UPP® End Cap 90mm | 18 | 0.24 | 0.53 | 90 |



| Model | Description | Pack Size | Weight (kg) | Weight (lbs) | Diameter Ø (mm) |
|----------------|-------------------------------------|-----------|-------------|--------------|-----------------|
| 304-110-090-TP | Fusion Entry Seal with 110mm & 90mm | 10 | 0.56 | 1.23 | 90 |
| 304-110-090 | Couplers with Test Port (pictured) | 5 | 0.56 | 1.23 | 90 |



| Model | Description | Pack Size | Weight (kg) | Weight (lbs) |
|-------------|-------------------------|-----------|-------------|--------------|
| ESI-CAP-012 | Weld Pin Protection Cap | 100 | 0.004 | 0.01 |



| Model | Description | Pack Size | Weight (kg) | Weight (lbs) | Diameter Ø (mm) |
|---------|--|-----------|-------------|--------------|-----------------|
| 90-090F | UPP® Flanged Termination 90mm | 4 | 1 | 2.2 | 90 |
| DN80M | UPP® Coupling Flange 3" BSPT Male | 10 | 1.312 | 2.89 | 3" |
| DN80F | UPP® Coupling Flange 3" BSP Female | 20 | 0.96 | 2.12 | 3" |
| DN80/2 | UPP® Gasket & Bolt Set for Coupling Flange DN 80 | 1 | 0.224 | 0.49 | -- |



| Model | Description | Pack Size | Weight (kg) | Weight (lbs) | Diameter Ø (mm) |
|-------------|--------------------------------------|-----------|-------------|--------------|-----------------|
| 91-090 BSPT | UPP® Termination 90mm x 3" BSPT Male | 6 | 1.61 | 3.54 | 90 |
| 91-090 NPT | UPP® Termination 90mm x 3" NPT Male | 6 | 1.61 | 3.54 | 90 |



| Model | Description | Pack Size | Weight (kg) | Weight (lbs) | Diameter Ø (mm) |
|-------------|--|-----------|-------------|--------------|-----------------|
| 92-090 BSPT | UPP® Termination 90mm x 3" BSPT Female | 10 | 1.06 | 2.34 | 90 |
| 92-090 NPT | UPP® Termination 90mm x 3" NPT Female | 10 | 1.06 | 2.34 | 90 |



| Model | Description | Pack Size | Weight (kg) | Weight (lbs) | Diameter Ø (mm) |
|-------------|---|-----------|-------------|--------------|-----------------|
| 12-090 BSPT | Compression Termination 90mm/3" diameter - BSPT Male | 10 | 2.7 | 5.94 | 90 |



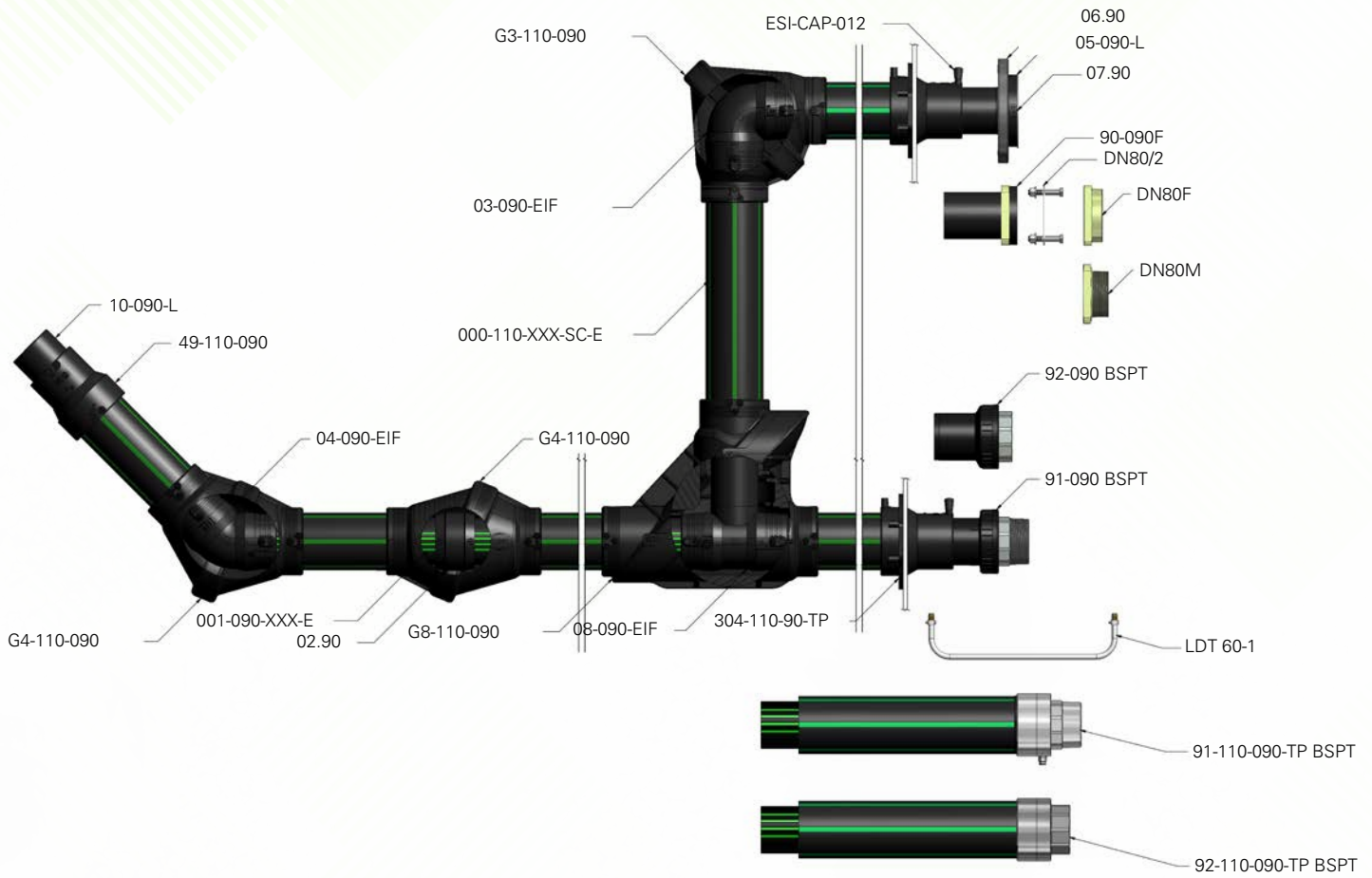
| Model | Description | Pack Size | Weight (kg) | Weight (lbs) | Diameter Ø (mm) |
|-------------|--------------------------------|-----------|-------------|--------------|-----------------|
| 408-044-001 | O Ring NBR 69.5 x 3 for 12-090 | 1 | 0.001 | 0.002 | 90 |



| Model | Description | Pack Size | Weight (kg) | Weight (lbs) | Diameter Ø (mm) |
|-------------|-----------------------------|-----------|-------------|--------------|-----------------|
| CW-125-PIPE | Chain Wrench 125mm Pipe Max | 1 | 1.2 | 2.6 | 90 |



110X90 MM SECONDARY CONTAINMENT



| Model | Description | Pack Size | Weight (kg) | Weight (lbs/ft) | Diameter Ø (mm) |
|----------------|------------------------------------|-----------|-------------|-----------------|-----------------|
| 000-110-006-SC | SC 110mm Outer Sleeve: 5.8m bar | 138 | 1.46 | 0.98 | 110 |



| Model | Description | Pack Size | Weight (kg) | Weight (lbs) | Diameter Ø (mm) |
|------------|----------------------------------|-----------|-------------|--------------|-----------------|
| G3-110-090 | SC 110x90 UPP® Gemini® 90° Elbow | 3 | 1.95 | 4.29 | 110 |



| Model | Description | Pack Size | Weight (kg) | Weight (lbs) | Diameter Ø (mm) |
|------------|---|-----------|-------------|--------------|-----------------|
| G4-110-090 | SC 110x90 UPP® Gemini® 45° Elbow OR SC 110x90 UPP® Gemini® Inline Joint | 4 | 1.57 | 3.46 | 110 |



| Model | Description | Pack Size | Weight (kg) | Weight (lbs) | Diameter Ø (mm) |
|------------|----------------------------|-----------|-------------|--------------|-----------------|
| G8-110-090 | SC 110x90 UPP® Gemini® Tee | 1 | 4.41 | 9.71 | 110 |



| Model | Description | Pack Size | Weight (kg) | Weight (lbs) | Diameter Ø (mm) |
|--------------------|---|-----------|-------------|--------------|-----------------|
| 91-110-090-TP BSPT | Male, 110x90mm, BSPT thread, with test port | 2 | 5.1 | 11.2 | 110/90 |



| Model | Description | Pack Size | Weight (kg) | Weight (lbs) | Diameter Ø (mm) |
|--------------------|---|-----------|-------------|--------------|-----------------|
| 92-110-090 BSPT | Female, 110x90mm, BSPT thread | 2 | 5.1 | 11.2 | 110/90 |
| 92-110-090-TP BSPT | Female, 110x90mm, BSPT thread, with test port | 2 | 5.1 | 11.2 | 110/90 |



| Model | Description | Pack Size | Weight (kg) | Weight (lbs) | Diameter Ø (mm) |
|------------|---|-----------|-------------|--------------|-----------------|
| 02.110(SC) | UPP Fusion Coupler 110mm Secondary | 35 | 0.17 | 0.37 | 110 |
| 02.125(SC) | UPP Fusion Coupler 125mm Secondary (pictured) | 25 | 0.192 | 0.42 | 125 |



| Model | Description | Pack Size | Weight (kg) | Weight (lbs) | Diameter Ø (mm) |
|---------------|---|-----------|-------------|--------------|-----------------|
| 49-110-090-TP | SC Welding Reducer 110/90mm with Test Port (pictured) | 10 | 0.5 | 1.1 | 110/90 |
| 49-110-090 | SC Welding Reducer 110/90mm | 10 | 0.5 | 1.1 | 110/90 |



| Model | Description | Pack Size | Weight (kg) | Weight (lbs) | Diameter Ø (mm) |
|----------------|--|-----------|-------------|--------------|-----------------|
| 304-110-090-TP | Fusion Entry Seal with 110mm & 90mm Couplers with Test Port (pictured) | 10 | 0.56 | 1.23 | 90 |
| 304-110-090 | Fusion Entry Seal with 110 & 90mm Couplers | 5 | 0.56 | 1.23 | 90 |



| Model | Description | Pack Size | Weight (kg) | Weight (lbs) | Diameter Ø (mm) |
|-------------|---|-----------|-------------|--------------|-----------------|
| 304-110-EIF | UPP Fusion Seal 110mm with Integrated Coupler | 10 | 0.31 | 0.68 | 110 |



| Model | Description | Weight (kg) | Weight (lbs) |
|-------------|-------------------------|-------------|--------------|
| ESI-CAP-012 | Weld Pin Protection Cap | 0.004 | 0.01 |



Related Items

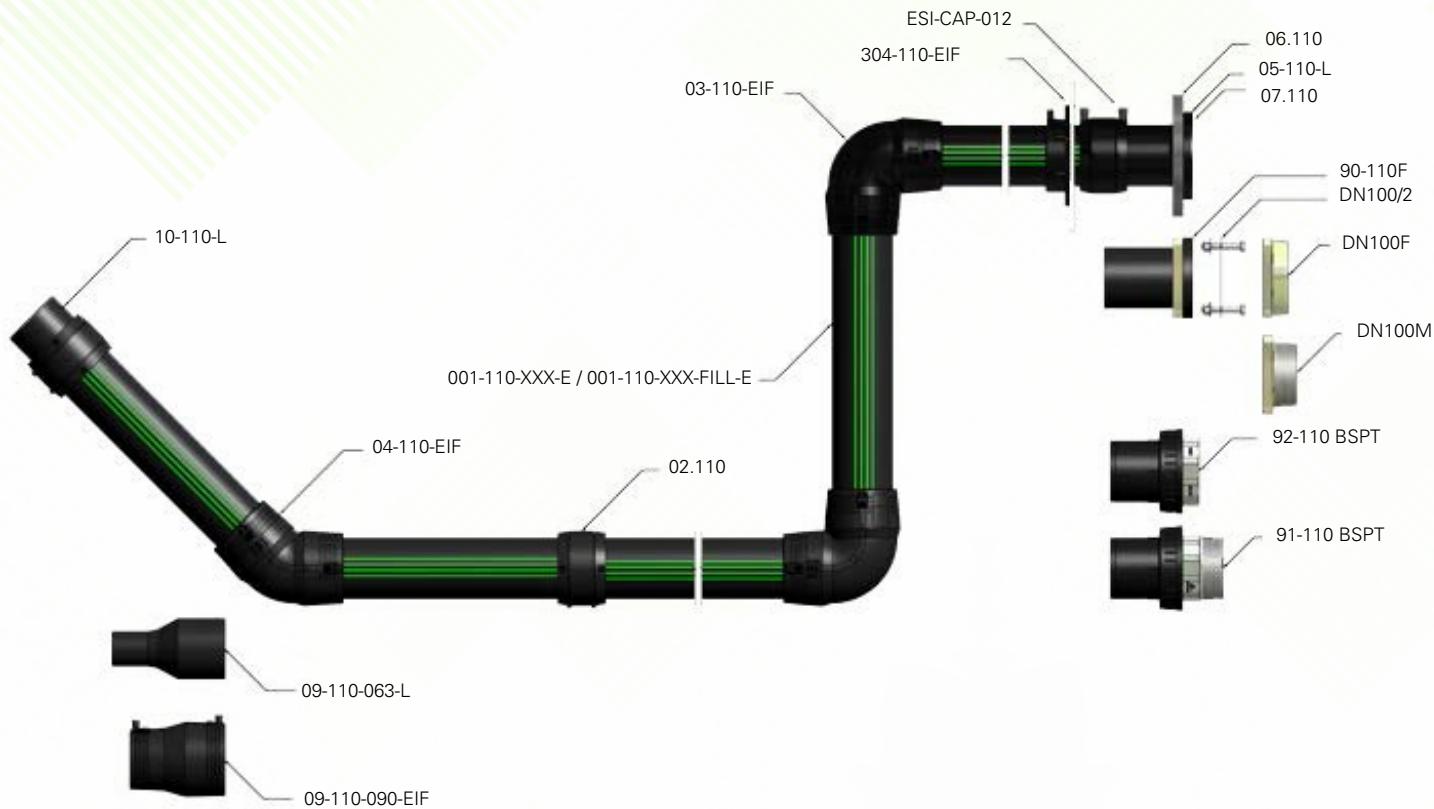
| Model | Description | Pack Size | Weight (kg) | Weight (lbs) |
|----------|---|-----------|-------------|--------------|
| LDT 60-1 | Leak Detection Tube Kit - not for use with STB-100 product offering | 1 | 0.05 | 0.11 |



| Model | Description | Pack Size | Weight (kg) | Weight (lbs) |
|---------|---|-----------|-------------|--------------|
| BPT-200 | Leak Detection Tube Kit - for use with STB-100 product offering | 1 | 0.05 | 0.11 |



110 MM 4" PRIMARY



| Model | Description | Pack Size | Weight (kg/m) | Weight (lbs/ft) | Diameter Ø (mm) |
|---------------|-----------------------------------|-----------|---------------|-----------------|-----------------|
| 001-110-006-E | UPP® Extra Pipe 110mm Stick 5.8 m | 138 | 3.15 | 2.12 | 110 |



| Model | Description | Pack Size | Weight (kg) | Weight (lbs/ft) | Diameter Ø (mm) |
|--------------------|---|-----------|-------------|-----------------|-----------------|
| 001-110-006-FILL-E | UPP® Extra 110 mm FILL Pipe Stick 5.8 m | 138 | 2.3 | 1.55 | 110 |
| 001-110-050-FILL-E | UPP® Extra 110 mm FILL Pipe Coil 50 m | 50 | 2.3 | 1.55 | 110 |



| Model | Description | Pack Size | Weight (kg) | Weight (lbs) | Diameter Ø (mm) |
|--------|---------------------------|-----------|-------------|--------------|-----------------|
| 02.110 | UPP® Fusion Coupler 110mm | 15 | 0.36 | 0.79 | 110 |



| Model | Description | Pack Size | Weight (kg) | Weight (lbs) | Diameter Ø (mm) |
|----------|----------------------------|-----------|-------------|--------------|-----------------|
| 03-110-L | UPP® Plain Elbow 90° 110mm | 8 | 1.14 | 2.51 | 110 |



| Model | Description | Pack Size | Weight (kg) | Weight (lbs) | Diameter Ø (mm) |
|------------|------------------------------------|-----------|-------------|--------------|-----------------|
| 03-110-EIF | UPP® Electrofusion Elbow 90° 110mm | 8 | 1.18 | 2.6 | 110 |



| Model | Description | Pack Size | Weight (kg) | Weight (lbs) | Diameter Ø (mm) |
|----------|----------------------------|-----------|-------------|--------------|-----------------|
| 04-110-L | UPP® Plain Elbow 45° 110mm | 12 | 0.92 | 2.03 | 110 |



| Model | Description | Pack Size | Weight (kg) | Weight (lbs) | Diameter Ø (mm) |
|------------|------------------------------------|-----------|-------------|--------------|-----------------|
| 04-110-EIF | UPP® Electrofusion Elbow 45° 110mm | 12 | 0.97 | 2.14 | 110 |



| Model | Description | Pack Size | Weight (kg) | Weight (lbs) | Diameter Ø (mm) |
|----------|---------------------------------------|-----------|-------------|--------------|-----------------|
| 05-110-L | UPP® Stub 110mm | 8 | 0.7 | 1.54 | 110 |
| 06.110 | UPP® Flange Circular PN16 DN100 110mm | 13 | 1.44 | 3.17 | 110 |
| 07.110 | UPP® Gasket 110mm for Stub | 10 | 0.042 | 0.09 | 110 |



| Model | Description | Pack Size | Weight (kg) | Weight (lbs) | Diameter Ø (mm) |
|----------|----------------------------|-----------|-------------|--------------|-----------------|
| 08-110-L | UPP® Plain Tee Equal 110mm | 5 | 1.63 | 3.59 | 110 |



| Model | Description | Pack Size | Weight (kg) | Weight (lbs) | Diameter Ø (mm) |
|------------|------------------------------|-----------|-------------|--------------|-----------------|
| 08-110-EIF | UPP® Electrofusion Tee 110mm | 6 | 1.53 | 3.37 | 110 |



| Model | Description | Pack Size | Weight (kg) | Weight (lbs) | Diameter Ø (mm) |
|---------------|----------------------------|-----------|-------------|--------------|-----------------|
| 08.110.063(L) | UPP® Reducing Tee 110x63mm | 10 | 1.27 | 2.8 | 110 |



| Model | Description | Pack Size | Weight (kg) | Weight (lbs) | Diameter Ø (mm) |
|--------------|------------------------------|-----------|-------------|--------------|-----------------|
| 09-110-063-L | UPP® Plain Reducer 110x63mm | 10 | 0.47 | 1.04 | 110/63 |
| 09-110-090-L | UPP® Plain Reducer 110x90mm | 9 | 0.55 | 1.21 | 110/90 |
| 09-160-110-L | UPP® Plain Reducer 160x110mm | 4 | 1.24 | 2.73 | 160/110 |



| Model | Description | Pack Size | Weight (kg) | Weight (lbs) | Diameter Ø (mm) |
|----------------|---|-----------|-------------|--------------|-----------------|
| 09-110-090-EIF | UPP® UPP Electrofusion Reducer 110x90mm | 16 | 0.68 | 1.5 | 110/90 |



| Model | Description | Pack Size | Weight (kg) | Weight (lbs) | Diameter Ø (mm) |
|-------------|---|-----------|-------------|--------------|-----------------|
| 304-110-EIF | UPP Fusion Seal 110mm with Integrated Coupler | 10 | 0.31 | 0.68 | 110 |



| Model | Description | Pack Size | Weight (kg) | Weight (lbs) | Diameter Ø (mm) |
|----------|--------------------|-----------|-------------|--------------|-----------------|
| 10-110-L | UPP® End Cap 110mm | 12 | 0.38 | 0.84 | 110 |



| Model | Description | Weight (kg) | Weight (lbs) |
|-------------|-------------------------|-------------|--------------|
| ESI-CAP-012 | Weld Pin Protection Cap | 0.004 | 0.01 |



| Model | Description | Pack Size | Weight (kg) | Weight (lbs) | Diameter Ø (mm) |
|---------|---|-----------|-------------|--------------|-----------------|
| 90-110F | UPP® Flanged Termination 110mm | 2 | 1.9 | 4.9 | 110 |
| DN100F | UPP® Coupling Flange 4" BSP Female | 1 | 2.042 | 4.5 | 4" |
| DN100/2 | UPP® Gasket & Bolt Set for Coupling Flange DN 100 | 1 | 0.33 | 0.73 | -- |



| Model | Description | Pack Size | Weight (kg) | Weight (lbs) | Diameter Ø (mm) |
|-------------|---------------------------------------|-----------|-------------|--------------|-----------------|
| 91-110 BSPT | UPP® Termination 110mm x 4" BSPT Male | 4 | 2.93 | 6.46 | 110 |
| 91-110 NPT | UPP® Termination 110mm x 4" NPT Male | 4 | 2.93 | 6.46 | 110 |



| Model | Description | Pack Size | Weight (kg) | Weight (lbs) | Diameter Ø (mm) |
|-------------|---|-----------|-------------|--------------|-----------------|
| 92-110 BSPT | UPP® Termination 110mm x 4" BSPT Female | 6 | 1.94 | 4.28 | 110 |
| 92-110 NPT | UPP® Termination 110mm x 4" NPT Female | 6 | 1.94 | 4.28 | 110 |



| Model | Description | Pack Size | Weight (kg) | Weight (lbs) | Diameter Ø (mm) |
|-------------|--|-----------|-------------|--------------|-----------------|
| 12-110 BSPT | Compression Termination 110mm/4" BSPT diameter - BSPT Male | 10 | 4 | 8.8 | 110 |



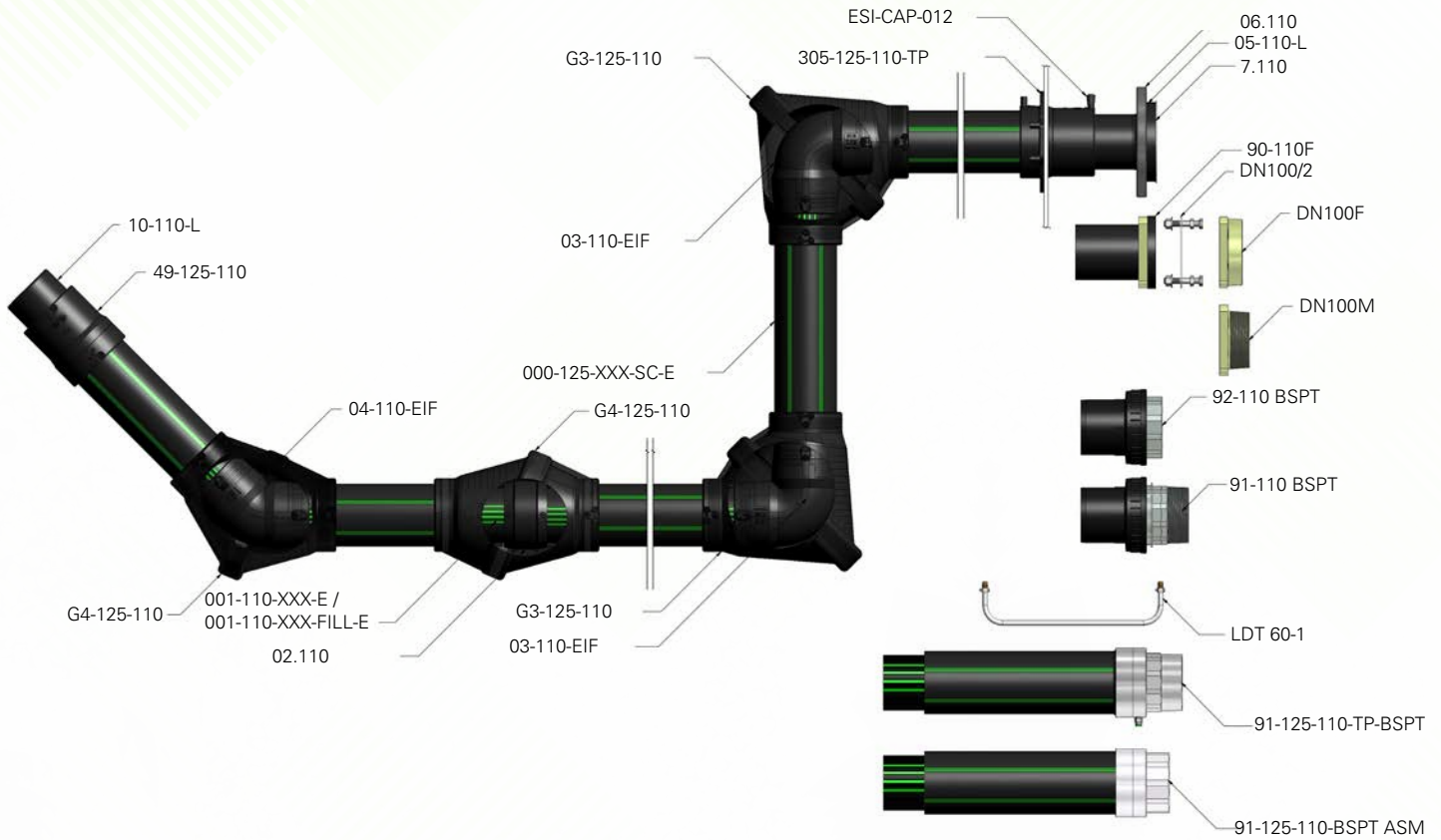
| Model | Description | Pack Size | Weight (kg) | Weight (lbs) | Diameter Ø (mm) |
|-------------|--------------------------------|-----------|-------------|--------------|-----------------|
| 408-043-001 | O Ring NBR 89.5 x 3 for 12-110 | 1 | 0.002 | 0.004 | 110 |



| Model | Description | Pack Size | Weight (kg) | Weight (lbs) | Diameter Ø (mm) |
|-------------|-----------------------------|-----------|-------------|--------------|-----------------|
| CW-125-PIPE | Chain Wrench 125mm Pipe Max | 1 | 1.2 | 2.6 | 90 |



125X110 MM SECONDARY CONTAINMENT



| Model | Description | Pack Size | Weight (kg) | Weight (lbs/ft) | Diameter Ø (mm) |
|------------------|--|-----------|-------------|-----------------|-----------------|
| 000-125-006-SC-E | SC 125mm Outer Sleeve: 5.8m stick length | 108m | 1.89 | 1.27 | 125 |



| Model | Description | Pack Size | Weight (kg) | Weight (lbs) | Diameter Ø (mm) |
|------------|-----------------------------------|-----------|-------------|--------------|-----------------|
| G3-125-110 | SC 125x110 UPP® Gemini® 90° Elbow | 2 | 3.15 | 6.94 | 125 |



| Model | Description | Pack Size | Weight (kg) | Weight (lbs) | Diameter Ø (mm) |
|------------|---|-----------|-------------|--------------|-----------------|
| G4-125-110 | SC 125x90 UPP® Gemini® 45° Elbow OR SC 125x90 UPP® Gemini® Inline Joint | 2 | 2.14 | 4.71 | 125 |



| Model | Description | Pack Size | Weight (kg) | Weight (lbs) | Diameter Ø (mm) |
|--------------------|--|-----------|-------------|--------------|-----------------|
| 91-125-110-TP BSPT | Male, 125x110mm, BSPT thread, with test port | 2 | 6.58 | 14.50 | 125/110 |



| Model | Description | Pack Size | Weight (kg) | Weight (lbs) | Diameter Ø (mm) |
|--------------------|--|-----------|-------------|--------------|-----------------|
| 92-125-110 BSPT | Female, 125x110mm, BSPT Thread | 2 | 6.08 | 13.40 | 125/110 |
| 92-125-110-TP BSPT | Female, 125x110mm, BSPT thread, with test port | 2 | 6.08 | 13.40 | 125/110 |



| Model | Description | Pack Size | Weight (kg) | Weight (lbs) | Diameter Ø (mm) |
|------------|---|-----------|-------------|--------------|-----------------|
| 02.125(SC) | UPP Fusion Coupler 125mm Secondary (pictured) | 25 | 0.192 | 0.42 | 125 |
| 02.160(SC) | UPP Fusion Coupler 160mm Secondary | 20 | 0.33 | 0.73 | 160 |



| Model | Description | Pack Size | Weight (kg) | Weight (lbs) | Diameter Ø (mm) |
|----------------|---------------------------------|-----------|-------------|--------------|-----------------|
| 09.160.125(SC) | UPP Reducer 160x125mm Secondary | 5 | 0.21 | 0.46 | 160/125 |



| Model | Description | Pack Size | Weight (kg) | Weight (lbs) | Diameter Ø (mm) |
|---------------|--|-----------|-------------|--------------|-----------------|
| 49-125-110-TP | SC Welding Reducer 125/110mm with Test Port (pictured) | 10 | 0.75 | 1.65 | 125/110 |
| 49-125-110 | SC Welding Reducer 125/110mm | 10 | 0.617 | 1.36 | 125/110 |



| Model | Description | Pack Size | Weight (kg) | Weight (lbs) | Diameter Ø (mm) |
|----------------|---|-----------|-------------|--------------|-----------------|
| 305-125-110-TP | Electrofusion Seal 125 & 110 Couplers with Test Port (pictured) | 10 | 0.92 | 2.03 | 110 |
| 305-125-110 | Electrofusion Seal with 125 & 110 Couplers | 5 | 0.91 | 2.01 | 110 |



| Model | Description | Pack Size | Weight (kg) | Weight (lbs) | Diameter Ø (mm) |
|-------------|---|-----------|-------------|--------------|-----------------|
| 305-125-EIF | UPP Fusion Seal 125mm with Integrated Coupler | 10 | 0.35 | 0.77 | 125 |



| Model | Description | Weight (kg) | Weight (lbs) | Diameter Ø (mm) |
|-------------|-------------------------|-------------|--------------|-----------------|
| ESI-CAP-012 | Weld Pin Protection Cap | 0.004 | 0.01 | 125/110 |



Related Items

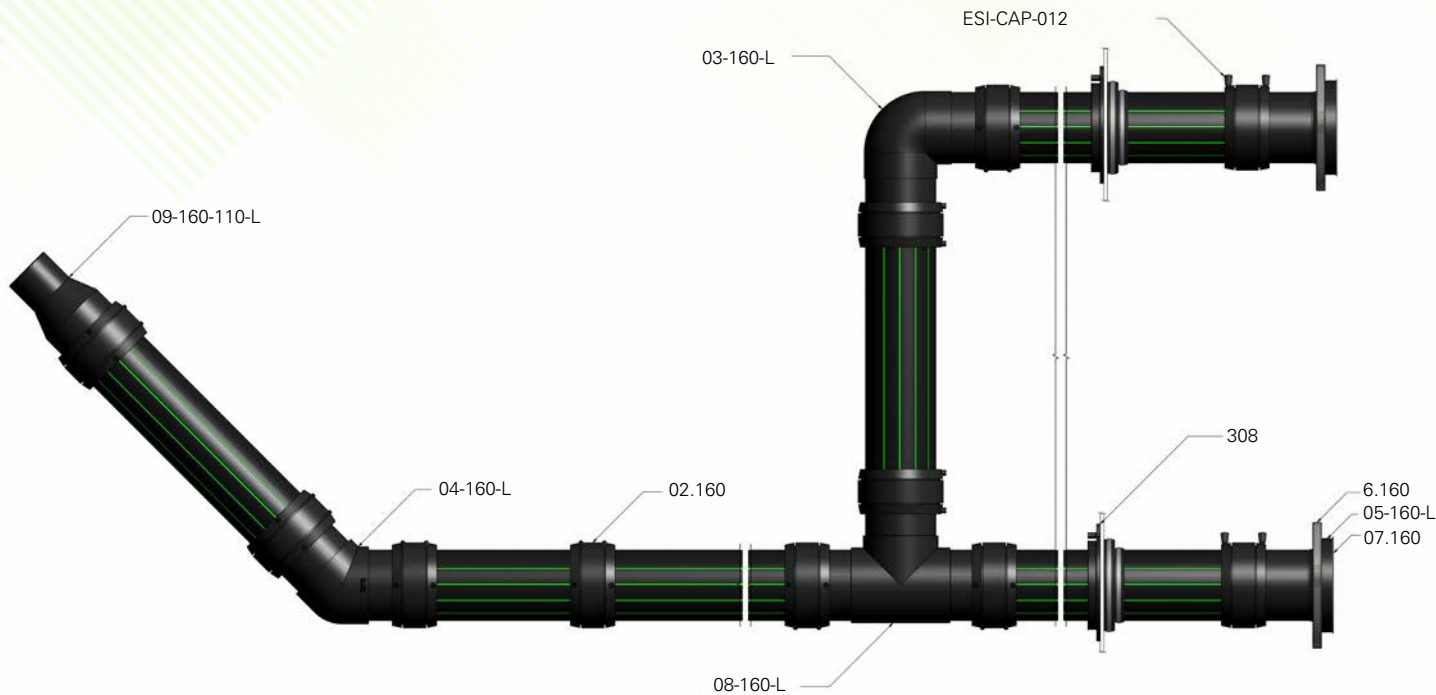
| Model | Description | Pack Size | Weight (kg) | Weight (lbs) |
|----------|---|-----------|-------------|--------------|
| LDT 60-1 | Leak Detection Tube Kit - not for use with STB-100 product offering | 1 | 0.05 | 0.11 |



| Model | Description | Pack Size | Weight (kg) | Weight (lbs) |
|---------|---|-----------|-------------|--------------|
| BPT-200 | Leak Detection Tube Kit - for use with STB-100 product offering | 1 | 0.05 | 0.11 |



160 MM 6" PRIMARY



| Model | Description | Pack Size | Weight (kg/m) | Weight (lbs/ft) | Diameter Ø (mm) |
|-------------|-------------------------------|-----------|---------------|-----------------|-----------------|
| 001-160-011 | UPP® Extra Pipe 160mm L=11.5M | 11.5 | 5.49 | 3.69 | 160 |



| Model | Description | Pack Size | Weight (kg) | Weight (lbs) | Diameter Ø (mm) |
|--------|---------------------------|-----------|-------------|--------------|-----------------|
| 02.160 | UPP® Fusion Coupler 160mm | 4 | 0.53 | 1.17 | 160 |



| Model | Description | Pack Size | Weight (kg) | Weight (lbs) | Diameter Ø (mm) |
|----------|----------------------------|-----------|-------------|--------------|-----------------|
| 03-160-L | UPP® Plain Elbow 90° 160mm | 5 | 3.13 | 6.9 | 160 |



| Model | Description | Pack Size | Weight (kg) | Weight (lbs) | Diameter Ø (mm) |
|----------|----------------------------|-----------|-------------|--------------|-----------------|
| 04-160-L | UPP® Plain Elbow 45° 160mm | 6 | 1.4 | 3.09 | 160 |



| Model | Description | Pack Size | Weight (kg) | Weight (lbs) | Diameter Ø (mm) |
|----------|---------------------------------------|-----------|-------------|--------------|-----------------|
| 05-160-L | UPP® Stub 160mm | 6 | 1.66 | 3.66 | 160 |
| 06.160 | UPP® Flange Circular PN16 DN150 160mm | 1 | 5.52 | 12.17 | 150/160 |
| 07.160 | UPP® Gasket 160mm for Stub | 10 | 0.1 | 0.22 | 160 |



| Model | Description | Pack Size | Weight (kg) | Weight (lbs) | Diameter Ø (mm) |
|----------|----------------------------|-----------|-------------|--------------|-----------------|
| 08-160-L | UPP® Plain Tee Equal 160mm | 3 | 0.84 | 1.85 | 160 |



| Model | Description | Pack Size | Weight (kg) | Weight (lbs) | Diameter Ø (mm) |
|--------------|------------------------------|-----------|-------------|--------------|-----------------|
| 09-160-110-L | UPP® Plain Reducer 160x110mm | 4 | 1.24 | 2.73 | 160/110 |



| Model | Description | Pack Size | Weight (kg) | Weight (lbs) | Diameter Ø (mm) |
|-------|--------------------------------------|-----------|-------------|--------------|-----------------|
| 308 | UPP® 8" Fusion Seal for 90/110/160mm | 5 | 0.66 | 1.46 | 90/110/160 |



| Model | Description | Weight (kg) | Weight (lbs) | Diameter Ø (mm) |
|-------------|-------------------------|-------------|--------------|-----------------|
| ESI-CAP-012 | Weld Pin Protection Cap | 0.004 | 0.01 | 125/110 |





CABLE-TIGHT™ WIRE MANAGEMENT SYSTEM

The UPP® brand Cable-Tight™ Wire Management System provides a true end-to-end solution for electrical, sensor, and data wiring containment. All of the benefits of the field-proven electrofusion welded pipework system are applied to this crucial part of the forecourt installation to ensure a fully liquid-tight underground system. The offering includes a system for 32mm conduit, 75mm conduit, 110mm ducting, direct bury, and rigid conduit applications.

HIGHLIGHTS

- Electrofusion entry seals with integrated slotted compression disks and grommets create a leak proof system by eliminating liquid or vapour penetration.
- Multi-cable entry seal is ideal for consolidating groups of 5mm to 17mm diameter wires into one entry point.
- Rigid conduit entry fitting handles one to three ¾" bore rigid conduit entries.
- Direct bury entry fittings are ideal for applications where cable of 5mm to 16mm diameter are directly buried in the ground, such as grounding wires and armored power cables.
- Slotted multi-cable compression disk design allows wires to be positioned into place without having to pull them through each hole for significantly easier wire pulling.

SPECIFICATIONS

- Conduit and ducting Internal bore diameters: 25mm (32mm conduit), 65mm (75mm conduit), 106mm (110mm ducting)
- Max vapour seal penetration in containment: 60mm (75mm conduit), 50mm (32mm conduit), 50mm (direct bury)
- Transition chamber is a combination of an LLDPE chamber and a D400 load rated composite access cover and frame (factory tested to -30mbar)
- Transition chamber dimensions: W900 x D800 x H862

Approvals

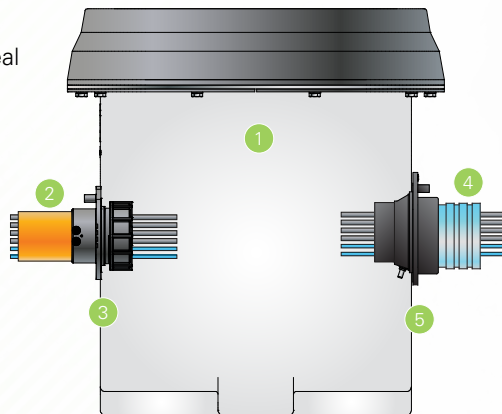
- Conduit approval to AS/NZS 2053.1:2001

Components

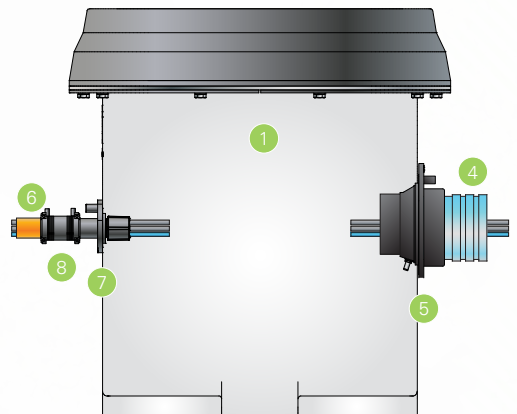
Systems and their various components installed.

- 1 Transition chamber with cover
- 2 75mm conduit
- 3 75mm multi-cable entry seal
- 4 110mm ducting
- 5 110mm entry seal
- 6 32mm conduit
- 7 32mm entry seal
- 8 32mm coupler

75mm and 110mm Contained



32mm and 110mm Contained



Multi-Cable Entry Seal Compression Disc Options

Range of compression discs and grommets sold separately

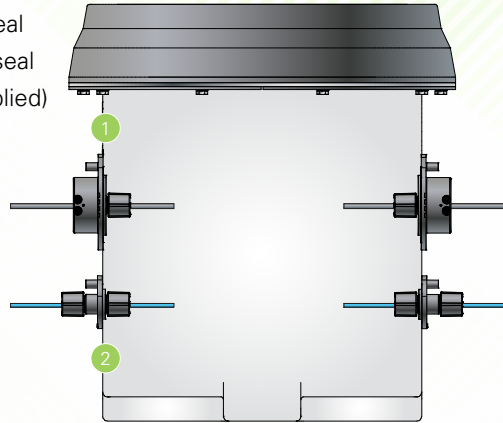
SPECIFICATIONS CONTINUED

Components

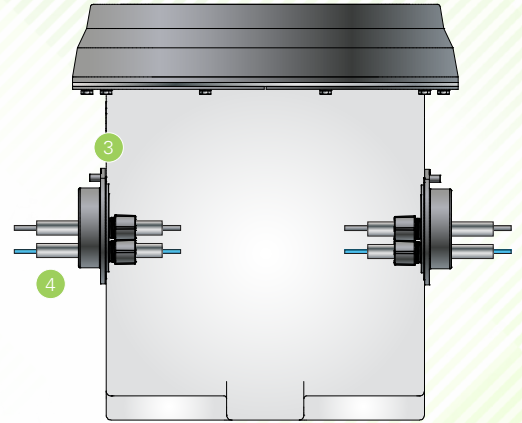
Systems and their various components installed.

- 1 Double direct bury entry seal
- 2 Single direct bury entry seal
- 3 Triple rigid conduit entry seal
- 4 Rigid conduit (locally supplied)

Direct Bury System



Rigid Conduit System



1



2

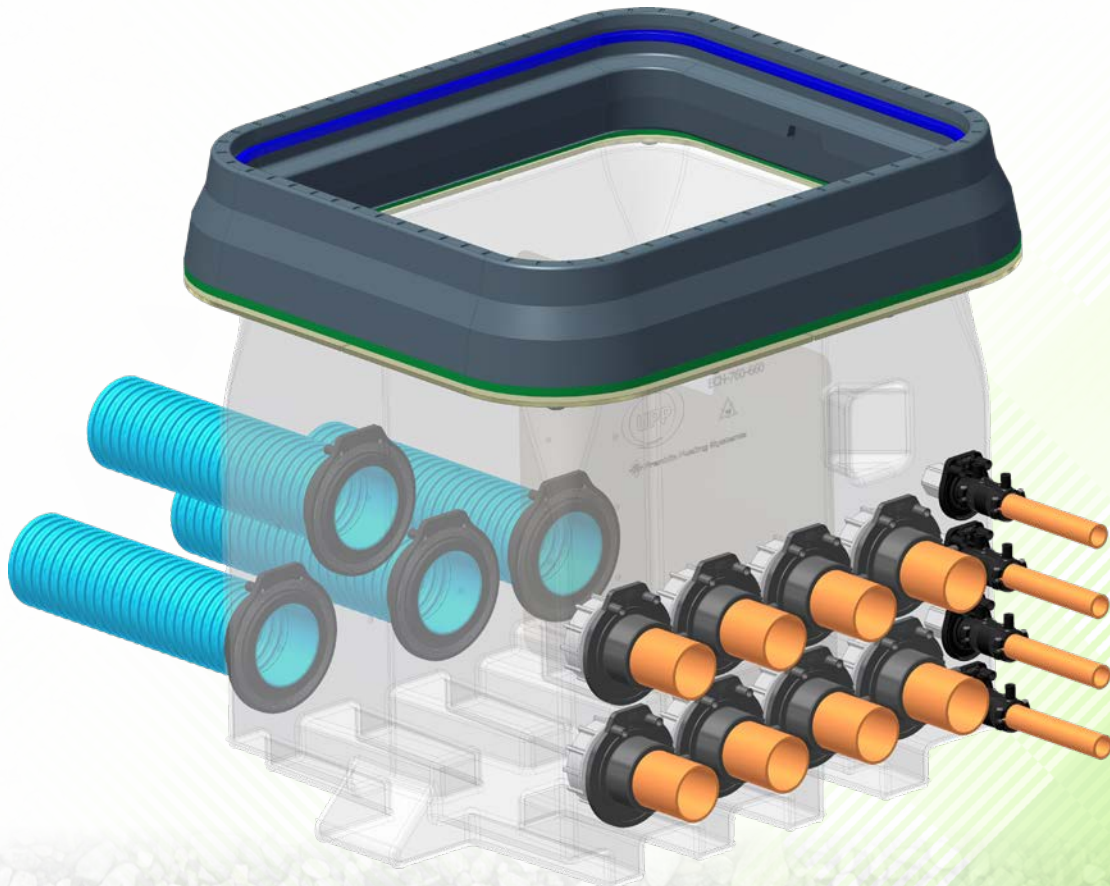


3

Range of grommets sold separately

Grommets included

Transition Chamber



ORDERING INFORMATION

75mm Cable-Tight Wire Management System

Ideal for accommodating multiple cables in a wide range of diameters.

75mm Conduit

| Model | Description |
|------------------|--------------------------------|
| 001-075-050-EC-E | 75mm conduit, orange, 50m coil |



Multi-Cable Entry Seal

The multi-cable entry seal is ideal for consolidating groups of 5mm to 17mm diameter wires into one entry point. Entry seals come without compression disks. Compression disks must be ordered separately. All compression disk cable entries are marked with nominal diameter and will accommodate a range of wire diameters (see ranges in descriptions below).



Compression disks not included

| Model | Description |
|------------|--|
| 303-075-EC | Electrofusion multi-cable entry seal, for 75mm conduit |
| 408040001 | Replacement compression nut for 303-075-EC |

| Model | Description |
|-----------|---|
| 408103001 | 12 cable compression disk - (12) 5-8mm cable entries (5 pack) |

Typical use: Tank sensor wiring.
Corresponding plug: 408134001



| Model | Description |
|-----------|---|
| 408113001 | 9 cable compression disk - (3) 12-15mm cable entries, (6) 7-10mm cable entries (5 pack) |

Typical use: Tank power wiring (pressure applications).
Corresponding plugs: (3) 408130001, (6) 408133001



| Model | Description |
|-----------|--|
| 408162001 | 6 cable compression disk - (5) 13-16mm cable entries, (1) 6-9mm cable entry (5 pack) |

Typical use: Tank power and data wiring.
Corresponding plugs: (5) 408130001, (1) 408133001



| Model | Description |
|-----------|--|
| 408102001 | 5 cable compression disk - (2) 14-17mm cable entries, (1) 11-14mm cable entry, (2) 9-12mm cable entries (5 pack) |

Typical use: Dispenser power and data wiring.
Corresponding plugs: (2) 408129001, (1) 408131001, (2) 408132001



| Model | Description |
|-----------|--|
| 408161001 | 5 cable compression disk - (4) 17-20mm cable entries, (1) 6-9mm cable entry (5 pack) |

Typical use: Dispenser power and data wiring.
Corresponding plugs: (4) 408164001, (1) 408133001



| Model | Description |
|-----------|--|
| 408122001 | Blank compression disc for 75mm entry fitting (5 pack) |

Typical use: Line integrity testing and future expansion.



Cable Entry Plugs

Used to seal off unused cable entries in compression disks.

| Model | Description | Model | Description |
|-----------|---------------------------------|-----------|---------------------------------|
| 408165001 | 3mm cable entry plug (10 pack) | 408131001 | 12mm cable entry plug (10 pack) |
| 408134001 | 6mm cable entry plug (10 pack) | 408130001 | 14mm cable entry plug (10 pack) |
| 408133001 | 9mm cable entry plug (10 pack) | 408129001 | 16mm cable entry plug (10 pack) |
| 408132001 | 11mm cable entry plug (10 pack) | 408164001 | 18mm cable entry plug (10 Pack) |



75mm Installation Tools

| Model | Description |
|-------------|------------------------------|
| 303-CLAMP-1 | Welding clamp for 303-075-EC |
| HS3 | 102mm hole saw |



ORDERING INFORMATION

32mm Cable-Tight Wire Management System

Ideal for accommodating single large and multiple smaller diameter cables.

32mm Conduit

| Model | Description |
|------------------|---------------------------------|
| 001-032-100-EC-E | 32mm conduit, orange, 100m coil |



32mm Conduit Entry Seal

Entry seals come without compression grommets. Compression grommets must be ordered separately. All compression grommet cable entries are marked with maximum diameter and will accommodate a range of wire diameters (see ranges in descriptions below).

| Model | Description |
|------------|--|
| 302-032-EC | Electrofusion entry seal, for 32mm conduit |
| 408112001 | Replacement compression nut for 302-032-EC |



Grommets not included

| Model | Description |
|----------|---|
| 02-032-L | Electrofusion coupler, for 32mm conduit |



| Model | Description |
|-----------|---|
| 408107006 | 3 cable compression grommet - (3) 5-6mm cable entries (10 pack) |
| 408163001 | 3 cable compression grommet - (3) 2-3mm cable entries (10 pack) |

Typical use: Sensors, line leak detection, interstitial tank and pipe monitoring, tank gauge wiring.
 408107006 Corresponding plug: 408134001
 408163001 Corresponding plug: 408165001

| Model | Description |
|-----------|--|
| 408107005 | Cable compression grommet - (1) 7-9mm cable entry (5 pack) |

Typical use: Tank grounding wiring.
 Corresponding plug: 408133001

| Model | Description |
|-----------|---|
| 408107004 | Cable compression grommet - (1) 9-11mm cable entry (5 pack) |

Typical use: Card reader in dispenser or outdoor payment terminal wiring.
 Corresponding plug: 408132001

| Model | Description |
|-----------|--|
| 408107003 | Cable compression grommet - (1) 12-14mm cable entry (5 pack) |

Typical use: Tank or dispenser power wiring.
 Corresponding plug: 408130001

| Model | Description |
|-----------|--|
| 408107002 | Cable compression grommet - (1) 14-16mm cable entry (5 pack) |

Typical use: Dispenser hook signal wiring.
 Corresponding plug: 408129001

| Model | Description |
|-----------|-------------------------------------|
| 408107007 | Blank compression grommet (10 pack) |

Typical use: Line integrity testing and future expansion.



Cable Entry Plugs

Used to seal off unused cable entries in compression grommets.

| Model | Description | Model | Description |
|-----------|---------------------------------|-----------|---------------------------------|
| 408165001 | 3mm cable entry plug (10 pack) | 408131001 | 12mm cable entry plug (10 pack) |
| 408134001 | 6mm cable entry plug (10 pack) | 408130001 | 14mm cable entry plug (10 pack) |
| 408133001 | 9mm cable entry plug (10 pack) | 408129001 | 16mm cable entry plug (10 pack) |
| 408132001 | 11mm cable entry plug (10 pack) | 408164001 | 18mm cable entry plug (10 Pack) |



32mm Installation Tools

| Model | Description |
|-----------|------------------------------|
| 302-CLAMP | Welding clamp for 302-032-EC |
| HSCS2 | 51mm hole saw |



ORDERING INFORMATION

Direct Bury Wire Management System

Ideal for accommodating direct bury cables requiring a liquid-tight containment entry.

Direct Bury Entry Seals

Direct bury entry seals are ideal for applications where cable is directly buried in the ground. Entry seals come without compression grommets. Compression grommets must be ordered separately. All compression grommet cable entries marked with maximum diameter and will accommodate a range of wire diameters (see ranges in descriptions below).

| Model | Description |
|-----------|--|
| 302-DBC | Electrofusion single direct bury entry seal, (1) entry |
| 303-2DBC | Electrofusion double direct bury entry seal, (2) entries |
| 408112001 | Replacement compression nut for 302-DBC and 303-2DBC |

| Model | Description |
|-----------|---|
| 408107006 | 3 cable compression grommet - (3) 5-6mm cable entries (10 pack) |

Typical use: Sensors, line leak detection, interstitial tank and pipe monitoring, tank gauge wiring.
Corresponding plug: 408134001

| Model | Description |
|-----------|--|
| 408107005 | Cable compression grommet - (1) 7-9mm cable entry (5 pack) |

Typical use: Tank grounding wiring.
Corresponding plug: 408133001

| Model | Description |
|-----------|---|
| 408107004 | Cable compression grommet - (1) 9-11mm cable entry (5 pack) |

Typical use: Card reader in dispenser or outdoor payment terminal wiring.
Corresponding plug: 408132001

| Model | Description |
|-----------|--|
| 408107003 | Cable compression grommet - (1) 12-14mm cable entry (5 pack) |

Typical use: Tank or dispenser power wiring.
Corresponding plug: 408130001

| Model | Description |
|-----------|--|
| 408107002 | Cable compression grommet - (1) 14-16mm cable entry (5 pack) |

Typical use: Dispenser hook signal wiring.
Corresponding plug: 408129001

| Model | Description |
|-----------|-------------------------------------|
| 408107007 | Blank compression grommet (10 pack) |

Typical use: Line integrity testing and future expansion.

Cable Entry Plugs

Used to seal off unused cable entries in compression grommets.

| Model | Description |
|-----------|---------------------------------|
| 408165001 | 3mm cable entry plug (10 pack) |
| 408134001 | 6mm cable entry plug (10 pack) |
| 408133001 | 9mm cable entry plug (10 pack) |
| 408132001 | 11mm cable entry plug (10 pack) |
| 408131001 | 12mm cable entry plug (10 pack) |
| 408130001 | 14mm cable entry plug (10 pack) |
| 408129001 | 16mm cable entry plug (10 pack) |
| 408164001 | 18mm cable entry plug (10 Pack) |

Direct Bury Installation Tools

| Model | Description |
|-------------|----------------------------|
| 303-CLAMP-1 | Welding clamp for 303-2DBC |
| HS3 | 110mm hole saw |
| 302-CLAMP | Welding clamp for 302-DBC |
| HSCS2 | 63mm hole saw |



Grommets not included



ORDERING INFORMATION

Rigid Conduit Entry Seal

The rigid conduit entry seals handles one to three ¾" (nominal 26.7mm O/D) rigid conduit entries where local regulations require steel conduit.

| Model | Description |
|----------------|---|
| 305-3X27MM-CON | Electrofusion triple rigid conduit entry seal, for ¾" (nominal 26.7mm O/D) rigid conduit, (3) entries |
| 408128001 | Cable plug for ¾" entry fitting (10 pack) |
| 408117001 | Replacement ¾" (nominal 26.7mm O/D) grommet (10 pack) |



Grommets included Conduit not included

Rigid Conduit Installation Tools

| Model | Description |
|---------------|----------------------------------|
| 305-EXT-CLAMP | Welding clamp for 305-3X27MM-CON |
| HS6 | 160mm hole saw |



110mm Ducting

| Model | Description |
|--------------|-------------------------------|
| DUCT-400-250 | 110mm ducting, blue, 75m coil |



110mm Ducting Entry Seal

The 110mm ducting entry seals is ideal for large bundles of cables running from the transition chamber back to the main kiosk.

| Model | Description |
|------------|--|
| 304-110-TP | Electrofusion entry seal, for 110m ducting |



110 mm Ducting Installation Tools

| Model | Description |
|-----------|------------------------------|
| 304-CLAMP | Welding clamp for 304-110-TP |
| HS5 | 140mm hole saw |



Transition Chamber

Built specifically for wire management, the rugged transition chamber provides an easy access point for the electrician for maintenance or future expansion.

| Model | Description |
|------------------|---|
| ECH-760-660-D400 | Transition chamber, 700mm x 600mm |
| 408109001 | Removable segregation panel |
| VTL-750X650 | Transition chamber test lid assembly, 750mm x 650mm |



| Model | Description |
|----------|--|
| PCR-LIFT | Transition chamber access cover lifting tool |





ELECTRICAL CONDUIT THE NEXT LEVEL OF ELECTRICAL CONDUIT

The old days of installing potentially corrosive metallic electrical conduit are over. The technologically advanced UPP® brand Electrical Conduit from Franklin Fueling Systems features several key upgrades that metallic conduit just can't provide - keeping your investment safe underground for years to come.

HIGHLIGHTS

Electrical Conduit Key Highlights

- Quality construction.
- Flexible, easy-to-install material.
- Non-corrosive construction.
- No buried joints.
- Electrofusion welded, watertight solution.
- Complete line of fittings, adapters and boots.

Quality Construction

UPP® brand Electrical Conduit is manufactured from a superior quality high density polyethylene material using an extrusion process which provides an extremely smooth inner bore. A tough, yet smooth specially formulated bonded inner liner provides a near-zero permeation barrier. The exceptionally smooth inner bore makes installation of wiring easy by eliminating the need to use draw wires. Electrical wiring can easily be pushed through the smooth bore of the pipe.

A Lightweight Solution

UPP® brand Electrical Conduit is anywhere between four to nine-times lighter than comparable metallic conduit. A heavier conduit can end up costing you more in transportation costs as well as installation. A heavier pipe is harder to work with and can extend installation times. UPP® Electrical Conduit is available in 100 meter coils, meaning you can skip time-consuming connections like the ones you have to make with limited length metallic pipe.

Flexibility is Key

With its flexible nature, UPP® brand Electrical Conduit provides a single-run, point-to-point solution making installation quick and easy. Available in 100 meter coils, this conduit allows you to make expansive pipe runs without any buried joints or potential leak paths which is something metallic pipe cannot offer.

A True Watertight Solution

What's the point of having a watertight product pipework system if you are using rubber boots and seals with your electrical system? The highly efficient electrofusion welding process connects pipe and fittings to create a seamless direct burial pipework system. Welding is quick and easy using the on site, lightweight, portable electrofusion welder. The Electrical Conduit electrofusion entry seal allows you to effectively join your electrical system directly to your containment spaces, eliminating any potential leak paths.

Non-Corrosive

Because of its porous nature, metallic piping can begin to corrode over time when it is exposed to humidity and water in the ground. This moisture can even infiltrate threaded connections with potential exposure to electrical wiring. The last thing you want to mix with electricity is water. UPP® brand Electrical Conduit features a non-corrosive high density polyethylene construction.

Easy Connect

Mating standard electrical fittings to UPP® brand Electrical Conduit is simple with UPP® termination fittings. These compression fittings tighten into the UPP® Electrical Conduit, allowing you to simply thread on a standard seal off fitting. Options for both BSPT and NPT threads are available.

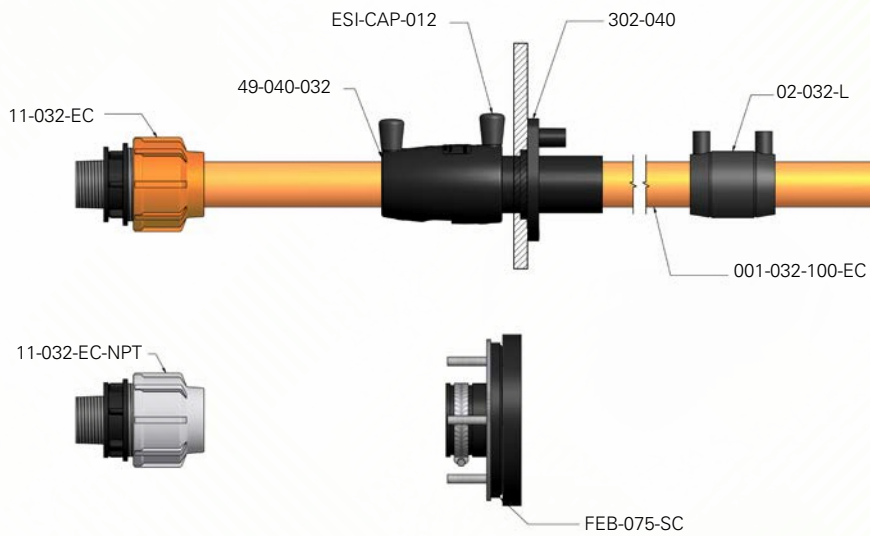
32 MM 1" LINED ELECTRICAL CONDUIT

The semi-flexible nature of the conduit means that it is easier to install in comparison to metal conduits.

Due to its non-corrodible nature, the UPP® 32 mm electrical conduit solves the problem of deteriorating steel armoured cable and metallic conduits. Cables inside the conduit are not affected by contaminants in the ground. Conduit runs are completely joint-free thanks to the UPP® fusion welding system.

Employing the latest and ever improving production technologies, UPP® electrical conduit is manufactured from the best quality high density polyethylene material using an extrusion process which provides a bore of exceptional smoothness. A tough, extremely smooth, specially formulated bonded liner, running its full length, enables UPP® conduit to achieve near-zero permeation. This permeation barrier makes installation of wiring easy and eliminates the need to use draw wires as the electrical wiring can easily be pushed through the smooth bore of the pipe. The UPP® patented permeation barrier protects wiring from the ingress of any products. The day-glow orange colour makes it easy to identify.

- Certified by ERA to AS/NZS 2053.1.2001.
- Corrosion resistant.
- Electrofusion welding system.
- A complete range of fittings.
- Day-glow orange for maximum visibility.
- 25 mm internal bore.



| Product Code | Description | Unit | Weight (kg/m) | Weight (lbs/ft) | Diameter Ø (mm) |
|------------------|--|------|---------------|-----------------|-----------------|
| 001-032-100-EC-E | UPP® Elect. Conduit Orange 32 mm, 100 m coil | 100m | 0.29 | 0.19 | 32 |

Note: Ideal for boiler house applications or small stand-by generators. OFTEC Listed. Also ideal for AdBlue.

| Model | Description | Pack Size | Weight (kg) | Weight (lbs) | Diameter Ø (mm) |
|----------|---------------------------------|-----------|-------------|--------------|-----------------|
| 02-032-L | UPP® Fusion Coupler 32mm - Long | 50 | 0.06 | 0.13 | 32 |



WIRE MANAGEMENT

| Model | Description | Pack Size | Weight (kg) | Weight (lbs) | Diameter Ø (mm) |
|------------|---------------------------------------|-----------|-------------|--------------|-----------------|
| 49-040-032 | UPP® Fusion Reducer 40x32mm Secondary | 50 | 0.06 | 0.13 | 40/32 |



| Model | Description | Pack Size | Weight (kg) | Weight (lbs) | Diameter Ø (mm) |
|---------|-----------------------|-----------|-------------|--------------|-----------------|
| 302-040 | UPP® Fusion Seal 40mm | 45 | 0.1 | 0.22 | 40 |



| Model | Description | Pack Size | Weight (kg) | Weight (lbs) |
|-------------|-------------------------|-----------|-------------|--------------|
| ESI-CAP-012 | Weld Pin Protection Cap | 100 | 0.004 | 0.01 |



| Model | Description | Pack Size | Weight (kg) | Weight (lbs) | Diameter Ø (mm) |
|-----------|-------------------------------------|-----------|-------------|--------------|-----------------|
| 11-032-EC | UPP® Termination 32mm 1" BSP Orange | 25 | 0.106 | 0.23 | 32 |



| Model | Description | Pack Size | Weight (kg) | Weight (lbs) | Diameter Ø (mm) |
|---------------|-----------------------------------|-----------|-------------|--------------|-----------------|
| 11-032-EC-NPT | UPP® Termination 32mm 1" NPT Grey | 25 | 0.106 | 0.23 | 32 |



| Model | Description | Pack Size | Weight (kg) | Weight (lbs) | Diameter Ø (mm) |
|---------------|--------------------------------|-----------|-------------|--------------|-----------------|
| 11-032-EC-075 | BLUE Termination - 32mm ¾" NPT | 25 | 0.1 | 0.22 | 32 |



| Model | Description | Pack Size | Weight (kg) | Weight (lbs) | Diameter Ø (mm) |
|-----------|-----------------------------|-----------|-------------|--------------|-----------------|
| 10-032-EC | Compression Fitting End Cap | 25 | 0.1 | 0.22 | 32 |



| Model | Description | Pack Size | Weight (kg) | Weight (lbs) | Diameter Ø (mm) |
|--------|-------------------------------------|-----------|-------------|--------------|-----------------|
| 11.321 | Compression Termination - BSPT Male | 25 | 0.42 | 0.93 | 32 |



Related Items

| Model | Description | Pack Size | Weight (kg) | Weight (lbs) |
|----------|-------------------------------|-----------|-------------|--------------|
| IPS-2424 | Electrical Draw Pit 24" x 24" | 1 | 11.8 | 26 |
| IPS-3636 | Electrical Draw Pit 36" x 36" | 1 | 29.9 | 66 |





UPP® 110MM 4" DUCT SYSTEM

With a thick and robust wall, the new duct is equally flexible and can be welded to electrofusion entry seals and other 110mm electrofusion fittings. The duct will provide a water tight chase for pipes or electrical cables when fully welded.

This product is for use as an electrical duct or gravel guard for fuel pipework.

HIGHLIGHTS

The following in-house testing has been satisfactorily carried out on the duct:

- Electrofusion trials.
- Cold temperature bending tests at -29°C.
- Ball impact test at -29°C.
- Pressure testing at 2 bar for 1 week.
- Drop test of coil from 2 m.

ORDERING INFORMATION

| Model | Description | Pack Size | Weight (kg) | Weight (lbs) | Diameter Ø (mm) |
|-----------------|---------------------------------|-----------|-------------|--------------|-----------------|
| 00-110-050-DUCT | 110mm Flexible PE Duct Coil 50m | 50 | 0.64 | 0.43 | 110 |

| Model | Description | Pack Size | Weight (kg) | Weight (lbs) | Diameter Ø (mm) |
|----------------|--|-----------|-------------|--------------|-----------------|
| 02.110 | UPP® Fusion Coupler 110mm | 15 | 0.36 | 0.79 | 110 |
| 02.125(SC) | UPP® Fusion Coupler 125mm Secondary | 25 | 0.192 | 0.42 | 125 |
| 09.125.110(SC) | UPP® Reducer 125x110mm Secondary | 40 | 0.146 | 0.32 | 125/110 |
| 10.125(SC) | UPP® End Cap 125mm Secondary | 10 | 0.14 | 0.31 | 125 |
| 49-125-110 | UPP® Terminating Reducer 125x110mm Secondary | 10 | 0.62 | 1.36 | 125/110 |
| 49-125-110-TP | UPP® Terminating Reducer 125x110mm Sec with Test Port | 10 | 0.75 | 1.65 | 125/110 |
| 304-110-TP | UPP® Fusion Entry Seal with Coupler 110mm with Test Port (No Boot) | 10 | 0.44 | 0.97 | 110 |
| 305-R-1 | UPP® 305 - 5" Fusion Ring Extended Spigot | 10 | 0.3 | 0.66 | 125 |
| ESI-CAP-012 | Weld Pin Protection Cap | - | 0.004 | 0.01 | -- |





FUSION DUCTED ENTRY BOOT FOR XP PIPE DUCTING

APT® brand Fusion Ducted Entry Boots provide a watertight seal between XP Pipe and polyethylene constructed containment sumps. Utilizing the electrofusion welding process, the entry boot, ducting, and sump become one solid structure, creating a watertight entry into the containment space.

HIGHLIGHTS

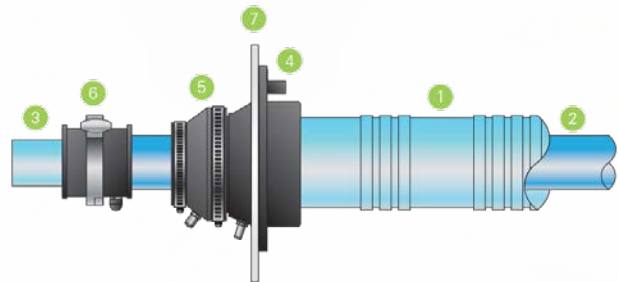
- The two-piece design includes the entry boot itself and a reducer fitting which seals off the secondary XP Pipe layer inside of the sump.
- Creates watertight entries into containment sumps.
- Features integrated test ports on both the entry boot and reducer fitting.
- The electrofusion welding process is safe and simple to complete in any climate and virtually any weather condition.
- The welding process uses the lightweight, portable electrofusion welder unit to form watertight connections.
- Ducting is recommended for future-proofing sites to accommodate pipe changes or as a pull chase for future station expansion.
- Available for use with 1½", 1¾", and 2" XP Pipe diameters.

Components

- 1. XP Ducting
- 2. XP Pipe (secondary layer outside of sump)
- 3. XP Pipe (primary layer exposed inside sump)
- 4. Fusion ducted entry boot
- 5. Reducing boot (included with fusion ducted entry boot)
- 6. Rigid split test boot
- 7. Polyethylene sump wall

ORDERING INFORMATION

| Model | Description |
|-------------|--|
| FWEB-150-SC | Fusion ducted entry boot for 1½" XP Pipe |
| FWEB-175-SC | Fusion ducted entry boot for 1¾" XP Pipe |
| FWEB-200-SC | Fusion ducted entry boot for 2" XP Pipe |
| EF1-230V | 230 Volt handheld electrofusion welder |
| 408032001 | Step up transformer for handheld welder unit |
| 304-CLAMP | Entry boot installation clamp tool |
| SCR.HAR | Hand scraper installation tool |





FLEXIBLE

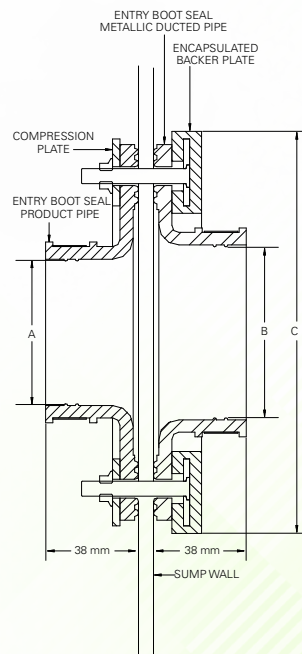
APT® flexible entry boots are two-piece boots that double the sealing power of your entry boots. Stainless steel studs and corrosion resistant nuts and backing rings make for the highest quality entry boot. Franklin Fueling Systems offers a complete line of sizes for single and secondary containment pipe. Also available in a ducted boot version to accommodate the use of APT® DCT-400 corrugated ducting for easy retractability.

HIGHLIGHTS

- Designed to be used with APT® product piping, the entry boots are also ideal for use with rigid piping and electrical conduits.
- Flexible entry boots available in sizes from ½" through 4".
- Ducted entry boots available in sizes from 1½" through 2½". APT® offers these ducted entry boots in an air testable version for easy testing of the 4" corrugated ducting.
- Boot size designations correspond directly to the pipe size being used.
- Any boot for a single wall pipe can be converted to a boot for a double wall pipe by simply removing the insert in the pipe opening.
- Entry boot can be serviced from inside the sump, eliminating the need for sump excavation.
- Made from oil- and gasoline-resistant nitrile rubber.
- Will work on round sumps of 36" or larger diameter.

SPECIFICATIONS

| Model | A (mm) | B (mm) | C (mm) | Mtg. Hole Size (mm) | Mtg. Studs |
|------------|--------|--------|--------|---------------------|------------|
| FEB-075-SC | 33 | 38 | 121 | 51 | 4 |
| FEB-100-D | 33 | 38 | 121 | 51 | 4 |
| FEB-100-SC | 43 | 38 | 121 | 51 | 4 |
| FEB-150-D | 44 | 38 | 172 | 90 | 8 |
| FEB-175-SC | 61 | 38 | 172 | 90 | 8 |
| FEB-200-D | 63 | 38 | 172 | 90 | 8 |
| FEB-200-SC | 73 | 38 | 172 | 90 | 8 |
| FEB-300-R | 90 | 38 | 172 | 90 | 8 |
| FEB-400-R | 114 | 38 | 204 | 140 | 10 |
| FEB-400-F | 125 | 38 | 204 | 140 | 10 |



ORDERING INFORMATION

| Model | Description | Pack | UPP® Pipe Diameter Ø (mm) | Hole Diameter (mm) | Hole Saw |
|------------|--|------|---------------------------|--------------------|----------|
| FEB-075-SC | Flexible Entry Boot for 1" Electrical Conduit | 1 | 32 | 51 | HSCS2 |
| FEB-100-D | Flexible Entry Boot for 3/4" and 1" Electrical Conduit | 1 | 32 | 51 | HSCS2 |
| FEB-100-SC | Flexible Entry Boot for 40mm UPP® | 1 | 40 | 51 | HSCS2 |
| FEB-150-D | Flexible Entry Boot for 50mm UPP® | 1 | 50 | 83 | HSP3 |
| FEB-175-SC | Flexible Entry Boot for 63mm UPP® | 1 | 63 | 83 | HSP3 |
| FEB-200-D | Flexible Entry Boot for 63mm UPP® | 1 | 63 | 83 | HSP3 |
| FEB-200-SC | Flexible Entry Boot for 75mm UPP® | 1 | 75 | 83 | HSP3 |
| FEB-300-R | Flexible Entry Boot for 90mm UPP® | 1 | 90 | 102 | HS3 |
| FEB-400-R | Flexible Entry Boot for 110mm UPP® | 1 | 110 | 140 | HS5 |
| FEB-400-F | Flexible Entry Boot for 125mm UPP® | 1 | 125 | 140 | HS5 |

PETROSEAL

PetroSeal entry boots are two-piece boots for 50mm to 160mm UPP® pipework. Using band clips and a backing ring to ensure a perfect fit and the highest quality entry boot.

| Model | Description | Pack | Weight (kg) | Weight (lbs) | Diameter Ø (mm) |
|-------|--------------------------------|------|-------------|--------------|-----------------|
| PS3 | PetroSeal for 50mm - 75mm UPP® | 20 | 0.62 | 1.38 | 50/63/75 |



| Model | Description | Pack | Weight (kg) | Weight (lbs) | Diameter Ø (mm) |
|-------|---------------------------|------|-------------|--------------|-----------------|
| PS3/R | Backing Ring for UPP® PS3 | 1 | 0.25 | 0.55 | n/a |



| Model | Description | Pack Size | Weight (kg) | Weight (lbs) | Diameter Ø (mm) |
|-------|------------------------------------|-----------|-------------|--------------|-----------------|
| SS 4 | Band Clip 71mm - 95mm for UPP® PS3 | 100 | 0.04 | 0.09 | 70 - 90 |



| Model | Description | Pack | Weight (kg) | Weight (lbs) | Diameter Ø (mm) |
|-------|---------------------------------|------|-------------|--------------|-----------------|
| PS6 | PetroSeal for 90mm - 160mm UPP® | 10 | 1.12 | 2.46 | 90/110/160 |



| Model | Description | Pack | Weight (kg) | Weight (lbs) | Diameter Ø (mm) |
|-------|---------------------------|------|-------------|--------------|-----------------|
| PS6/R | Backing Ring for UPP® PS6 | 1 | 0.42 | 0.93 | -- |



| Model | Description | Pack | Weight (kg) | Weight (lbs) | Diameter Ø (mm) |
|-------|-----------------------------------|------|-------------|--------------|-----------------|
| SS 5 | Band Clip for UPP® PS6 (76-127mm) | 10 | 0.05 | 0.11 | 90/110 |



| Model | Description | Pack | Weight (kg/m) | Weight (lbs/ft) | Diameter Ø (mm) |
|-------|---|------|---------------|-----------------|-----------------|
| SS 8 | Band Clip for PS6/308 (165-216mm) for 160mm | 50 | 0.08 | 0.18 | 160 |





302-040

These electrofusion entry seals weld directly to the walls of polyethylene chambers or sumps. They have been specifically designed to reduce the number of fittings necessary to provide water tight seals between the underground tank sump/ chamber and the UPP® primary or secondary contained pipe and electrical conduit or duct. The nature of the seal means that after installation it becomes one with the sump, with zero leak paths, creating a 100% leak tight system. The seals are polyethylene based allowing electrofusion of UPP® pipework systems directly to the penetration, negating the need for mechanical boots and creating a homogeneous structure of the sump, boot and pipe.

HIGHLIGHTS

- Electrofusion seal for 40/32mm pipe.
- 302-040 seal complements 32mm pipe range.
- 40mm secondary (double wall) pipe welds directly to seal spigot using 02.40(SC) fusion coupler.
- 32mm primary (single wall) continues through penetration and into PE sump/chamber and is fusion sealed with 49-040-032 (ordered separately).

ORDERING INFORMATION

| Model | Description | Pack Size | Weight (kg) | Weight (lb) | Diameter Ø (mm) |
|---------|-----------------------|-----------|-------------|-------------|-----------------|
| 302-040 | UPP® Fusion Seal 40mm | 45 | 0.1 | 0.22 | 40 |



303 SERIES

These electrofusion entry seals weld directly to the walls of polyethylene chambers or sumps. They have been specifically designed to reduce the number of fittings necessary to provide water tight seals between the underground tank sump/chamber and the UPP® primary or secondary contained pipe and electrical conduit or duct. The nature of the seal means that after installation it becomes one with the sump, with zero leak paths, creating a 100% leak tight system. The seals are polyethylene based allowing electrofusion of UPP® pipework systems directly to the penetration, negating the need for mechanical boots and creating a homogeneous structure of the sump, boot and pipe.

HIGHLIGHTS

- Electrofusion seal with integrated coupler.
- Integrated coupler welds directly to UPP® primary or secondary pipe and eliminates the need for a rubber boot or band clamp.
- Once welded to the chamber wall the seal is liquid tight for the life of the installation.
- Available for 50mm (1½") single wall or double wall pipe and 63mm (2") single wall or double wall pipe.

ORDERING INFORMATION

| Model | Description | Pack Size | Weight (kg) | Weight (lbs) | Diameter Ø (mm) |
|-------------|---|-----------|-------------|--------------|-----------------|
| 303-050-EIF | UPP® Fusion Seal 50mm with Integrated Coupler | 20 | 0.21 | 0.46 | 50 |
| 303-063-EIF | UPP® Fusion Seal 63mm with Integrated Coupler | 20 | 0.24 | 0.53 | 63 |
| 303-075-EIF | UPP® Fusion Seal 75mm with Integrated Coupler | 20 | 0.24 | 0.53 | 75 |



304 AND 305 SERIES



These electrofusion entry seals weld directly to the walls of polyethylene chambers or sumps. They have been specifically designed to reduce the number of fittings necessary to provide water tight seals between the underground tank sump/ chamber and the UPP® primary or secondary contained pipe and electrical conduit or duct. The nature of the seal means that after installation it becomes one with the sump, with zero leak paths, creating a 100% leak tight system. The seals are polyethylene based allowing electrofusion of UPP® pipework systems directly to the penetration, negating the need for mechanical boots and creating a homogeneous structure of the sump, boot and pipe. The spigot on both sides of the 305 allow for EIF welding.

The seal is fully vacuum and pressure testable ensuring 100% leak free seals and sumps.

HIGHLIGHTS

- Space saving, welded entry seal.
- For use with 50mm (1 ½"), 63mm (2"), 90mm (3") and 110mm (4") SW or DW pipe.
- With or without test port.

ORDERING INFORMATION

| Model | Description | Pack Size | Weight (kg) | Weight (lbs) | Diameter Ø (mm) |
|----------------|---|-----------|-------------|--------------|-----------------|
| 304-110-050-TP | Fusion Entry Seal with Secondary Coupler 110x50mm with Test Port | 10 | 0.49 | 1.08 | 50 |
| 304-110-063-TP | Fusion Entry Seal with Secondary Coupler 110x63mm with Test Port | 10 | 0.49 | 1.08 | 63 |
| 304-110-075-TP | Fusion Entry Seal with Secondary Coupler 110x75mm with Test Port (pictured) | 10 | 0.44 | 0.97 | 75 |

| Model | Description | Pack Size | Weight (kg) | Weight (lbs) | Diameter Ø (mm) |
|----------------|---|-----------|-------------|--------------|-----------------|
| 304-110-090 | UPP® Fusion Entry Seal 110x90mm | 5 | 0.56 | 1.23 | 110/90 |
| 304-110-090-TP | UPP® Fusion Entry Seal 110x90mm with Test Port (pictured) | 10 | 0.56 | 1.23 | 110/90 |

| Model | Description | Pack Size | Weight (kg) | Weight (lbs) | Diameter Ø (mm) |
|------------|--|-----------|-------------|--------------|-----------------|
| 304-110-TP | UPP® Fusion Entry Seal with Coupler 110 with Test Port (No Boot) | 10 | 0.44 | 0.97 | 110 |



ORDERING INFORMATION CONTINUED

| Model | Description | Pack Size | Weight (kg) | Weight (lbs) | Diameter Ø (mm) |
|-------------|---|-----------|-------------|--------------|-----------------|
| 304-110-EIF | UPP Fusion Seal 110mm with Integrated Coupler | 10 | 0.31 | 0.68 | 110 |



| Model | Description | Pack Size | Weight (kg) | Weight (lbs) | Diameter Ø (mm) |
|-------|------------------------------------|-----------|-------------|--------------|-----------------|
| 305 | UPP® 5" Fusion Seal for 50/63/75mm | 10 | 0.44 | 0.97 | 50/63/75 |



| Model | Description | Pack Size | Weight (kg) | Weight (lbs) | Diameter Ø (mm) |
|---------|------------------------------|-----------|-------------|--------------|-----------------|
| 305-R-1 | UPP® 5" Fusion Ring Extended | 10 | 0.3 | 0.66 | 125 |



| Model | Description | Pack Size | Weight (kg) | Weight (lbs) | Diameter Ø (mm) |
|--------|-----------------------------------|-----------|-------------|--------------|-----------------|
| 305-SB | UPP® Seal Boot Kit for 50/63/75mm | 20 | 0.2 | 0.44 | 50/63/75 |



| Model | Description | Pack Size | Weight (kg) | Weight (lbs) | Diameter Ø (mm) |
|------------|----------------------------------|-----------|-------------|--------------|-----------------|
| 305-090-SB | UPP® Seal Boot Kit for UPP® 90mm | 10 | 0.16 | 0.35 | 90 |



| Model | Description | Pack Size | Weight (kg) | Weight (lbs) | Diameter Ø (mm) |
|-------------|---|-----------|-------------|--------------|-----------------|
| 305-125-EIF | UPP Fusion Seal 125mm with Integrated Coupler | 10 | 0.35 | 0.77 | 125 |



| Model | Description | Pack Size | Weight (kg) | Weight (lbs) | Diameter Ø (mm) |
|-----------|------------------------------|-----------|-------------|--------------|-----------------|
| DCT-400-F | Seal Boot Kit for UPP® 110mm | 25 | 0.18 | 0.4 | 110 |



| Model | Description | Pack Size | Weight (kg) | Weight (lbs) | Diameter Ø (mm) |
|----------------|--|-----------|-------------|--------------|-----------------|
| 305 ELECTRICAL | UPP® 5" Fusion Seal - Electrical Entry | 10 | 0.5 | 1.1 | 12/18/ 32/41 |



| | | | | | |
|-----------------|---------------------------|----|-----|------|--------------|
| 305 ELECTRIC SB | Spare Boot 305 Electrical | 20 | 0.3 | 0.66 | 12/18/ 32/40 |
|-----------------|---------------------------|----|-----|------|--------------|

| Model | Description | Pack Size | Weight (kg) | Weight (lbs) | Diameter Ø (mm) |
|-------------|----------------------------------|-----------|-------------|--------------|-----------------|
| 305-125-110 | UPP® Fusion Entry Seal 125x110mm | 5 | 0.91 | 2.01 | 125/110 |



| | | | | | |
|----------------|---|----|------|------|---------|
| 305-125-110-TP | UPP® Fusion Entry Seal 125x110mm with Test Port | 10 | 0.92 | 2.03 | 125/110 |
|----------------|---|----|------|------|---------|

308 SERIES



These electrofusion entry seals weld directly to the walls of polyethylene chambers or sumps. They have been specifically designed to reduce the number of fittings necessary to provide water tight seals between the underground tank sump/chamber and the UPP® primary or secondary contained pipe and electrical conduit or duct. The nature of the seal means that after installation it becomes one with the sump, with zero leak paths, creating a 100% leak tight system. The seals are polyethylene based allowing electrofusion of UPP® pipework systems directly to the penetration, negating the need for mechanical boots and creating a homogeneous structure of the sump, boot and pipe. The spigot on both sides of the 308 allow for EIF welding.

The seal is fully vacuum and pressure testable ensuring 100% leak free seals and sumps.

HIGHLIGHTS

- Large diameter access.
- For use with 50mm (1 ½"), 63mm (2"), 75mm (SC), 90mm (3"), 110mm (4") and 160mm (6") pipe.

ORDERING INFORMATION

| Model | Description | Pack Size | Weight (kg) | Weight (lbs) | Diameter Ø (mm) |
|-------|--------------------------------------|-----------|-------------|--------------|-----------------|
| 308 | UPP® 8" Fusion Seal for 90/110/160mm | 5 | 0.66 | 1.46 | 90/110/160 |



| Model | Description | Pack Size | Weight (kg) | Weight (lbs) | Diameter Ø (mm) |
|-------|---------------------|-----------|-------------|--------------|-----------------|
| 308-R | UPP® 8" Fusion Ring | 5 | 0.3 | 0.66 | 200 |



| Model | Description | Pack Size | Weight (kg) | Weight (lbs) | Diameter Ø (mm) |
|--------|-------------------------------------|-----------|-------------|--------------|-----------------|
| 308-SB | UPP® Seal Boot Kit for 90/110/160mm | 20 | 0.34 | 0.75 | 90/110/160 |



| Model | Description | Pack Size | Weight (kg) | Weight (lbs) | Diameter Ø (mm) |
|---------|---|-----------|-------------|--------------|-----------------|
| 308-075 | UPP® 8" Fusion Seal with Rubber Boot for 75/63/50mm | 5 | 0.66 | 1.46 | 50/63/75 |



| Model | Description | Pack Size | Weight (kg) | Weight (lbs) | Diameter Ø (mm) |
|------------|--------------------------------------|-----------|-------------|--------------|-----------------|
| 308-075-SB | UPP® 8" Seal Boot Kit for 75/63/50mm | 10 | 0.66 | 1.46 | 50/63/75 |

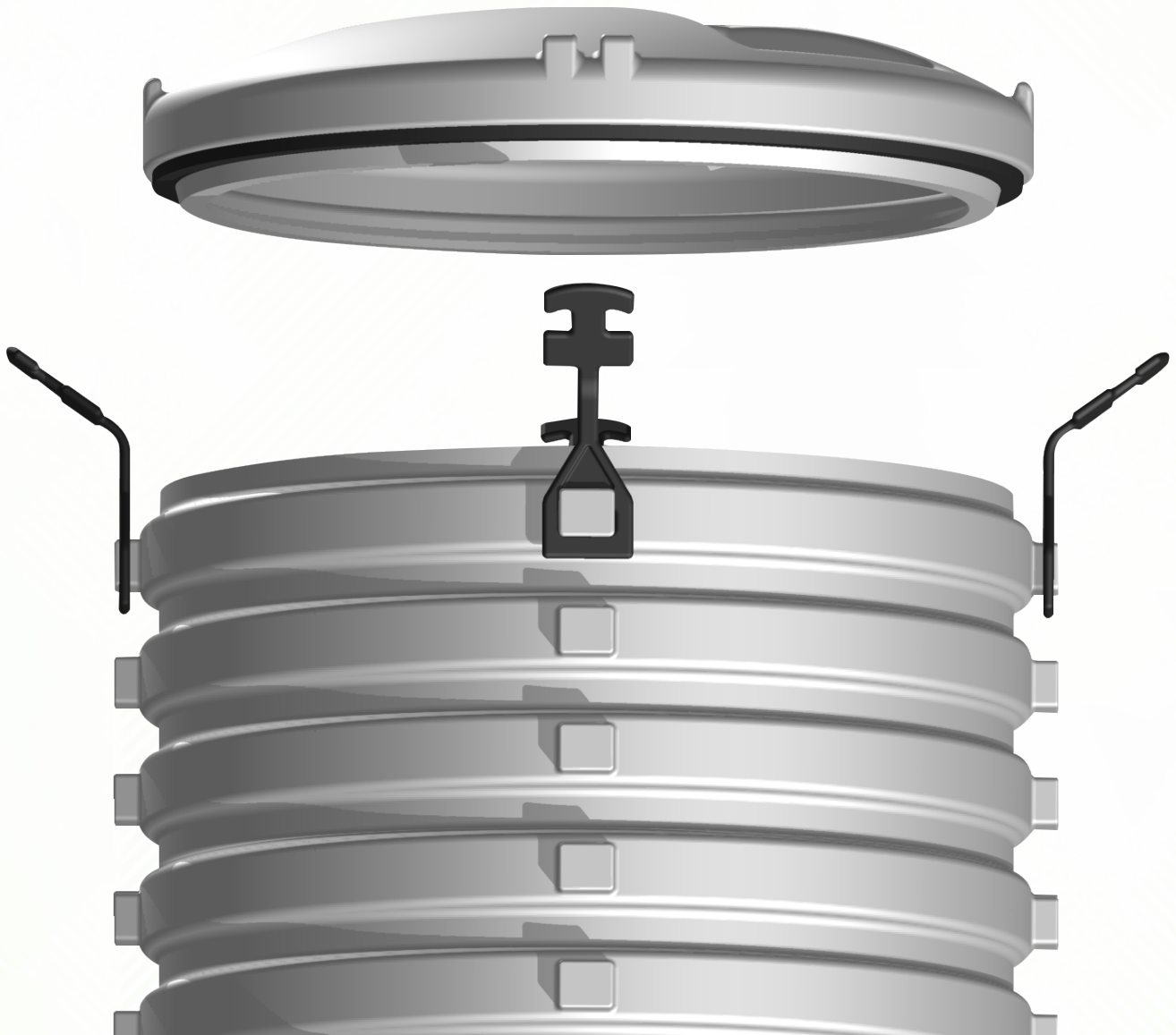


PIPING AND CONTAINMENT SYSTEMS

WATER-RESISTANT TANK SUMPS: KEEP WATER OUT

Water removal costs station owners millions in maintenance costs every year. Water-Resistant Tank Sumps from Franklin Fueling Systems are specially designed to keep water out.

See how we do it.



KEEP WATER OUT

The APT™ brand water-resistant tank sump prevents the hassle and cost of sump liquid removal with its superior design.

WATER-RESISTANT DESIGN

Water-resistant tank sumps feature several key design features to ensure water stays out of the containment:

1 GASKETED SEAL

The gasketed sump lid engages the lid with the sump riser to create a seamless, water-resistant seal between the two.

2 HOLD-DOWN TOGGLES

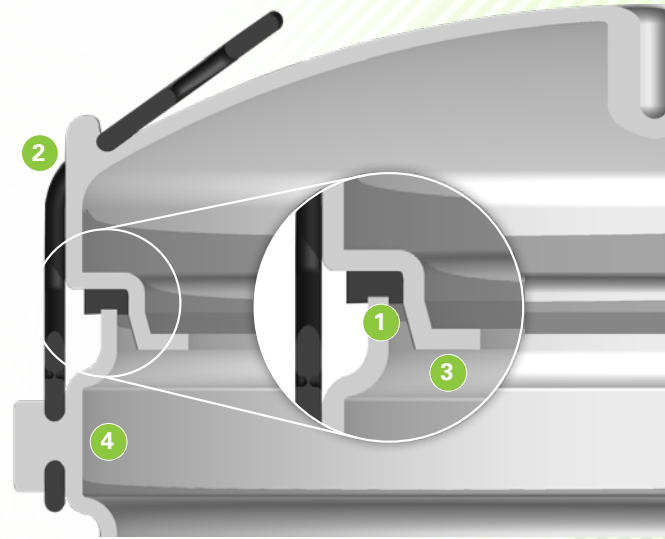
Four integrated hold-down lid toggles provide compression between the lid gasket and the riser, preventing liquid from entering into the sump. They also allow for ease of entry for service in and out of the sump.

3 DEEP LID INSERT

The lid extends down into sump riser creating overlap between the lid and the riser, reducing potential leak paths.

4 THICK SUMP WALLS

The thicker sump walls provide an overall robust sump design that will withstand the pressure of backfill without deformation. This ensures the sump walls will stay in-line with the lid, eliminating potential leak paths.





PETROTITE® PE

The DC4830 is of bolted construction at the riser/base joint which will give a joint of the same quality as that to the tank for a fully watertight seal.

HIGHLIGHTS

- Vacuum testable. Specific testing at critical points ensures a leak-proof installation.
- Tank access remains dry and protected.
- Compatible with all UPP® electrofusion entry seals providing a welded UPP® containment system, eliminating mechanical entry seal joints and leaks.
- The two-piece design enables easy access during installation while the compact design allows for economy in shipping.

SPECIFICATIONS

Full set code: DC4830SB

40' container loading: 28 sets

Set shipping weight (approx.): 78 kg

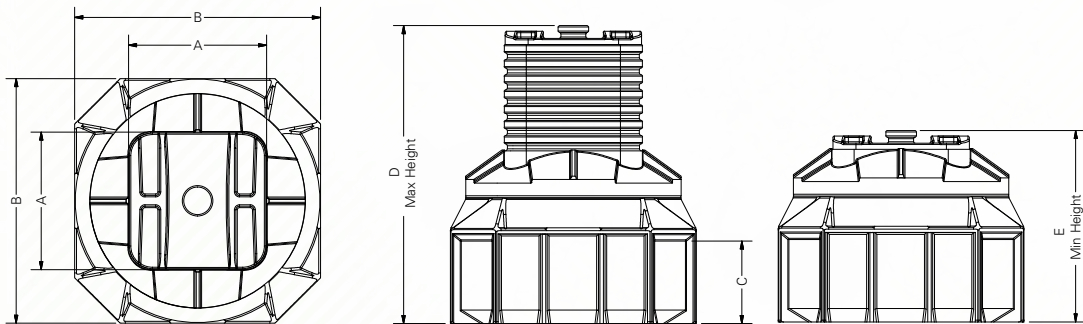
Set shipping dimensions (mm): 1370 (L) x 1370 (W) x 920 (H)

ORDERING INFORMATION

| Model | Description | Pack | Weight (kg) | Weight (lbs) | Neck Opening (mm) | Overall Height (mm) |
|---------------|---|------|-------------|--------------|-------------------|--------------------------|
| DC4830SB | PetroTite® PE Chamber 1.2 x 1.2 m | 1 | 78 | 172 | 720 x 720 | max = 1668 min = 1072 |
| DC4828 (BASE) | PetroTite® PE Chamber BASE ONLY 1.2 x 1.2 m | 1 | 49 | 107.8 | -- | 740 |
| DC4830SBG | Gasket Kit for DC4830SB - Base & Waist | 1 | 3.04 | 6.7 | -- | -- |
| DC4830-L * | PetroTite® PE Chamber Lid | 1 | - | 4.8 | - | - |
| DC4830-R * | PetroTite® PE Chamber Riser | 1 | - | 21 | - | - |

Note: the gasket kit DC4830SBG is included with the DC4830SB

* May require lead time. Consult factory for availability.



| Model | A | B | C | D | E |
|----------|-----|------|-----|------|------|
| DC4830SB | 770 | 1370 | 460 | 1668 | 1072 |

Base suits square or round containment collars on tank:

Square □: 970 mm max (38.2")

Round Ø: 1150 mm max (45.3")



PETROTITE® PE FUSION

The LA Chamber is available in Deep or Shallow risers.

SPECIFICATIONS

LA-002-001 / LA-002-002

| | |
|------------------------|----------------------|
| 40' container loading: | 10 x 2 x 2 = 40 sets |
| Welding lead code: | EF1-C7A |

ORDERING INFORMATION

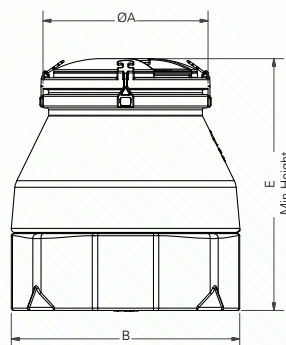
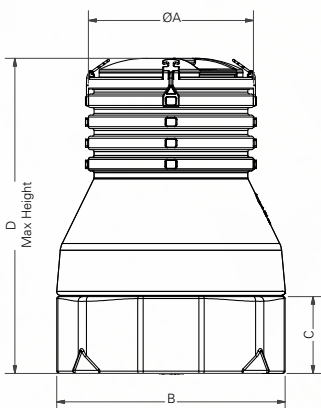
| Model | Description | Size (mm) | Pack | Weight (kg) | Weight (lbs) | Neck Opening (Ø mm) | Overall Height (mm) |
|------------|--------------------------------|-------------|------|-------------|--------------|---------------------|--------------------------|
| LA-002-001 | PE Chamber, Deep/ Small Bore | 1641 x 1176 | 1 | 75 | 165.3 | 780 | max = 1641 min = 1310 |
| LA-002-002 | PE Chamber, Shallow/Small Bore | 1279 x 1176 | 1 | 60 | 132.3 | 780 | max = 1279 min = 831 |

| Model | Description | Pack | Weight (kg) | Weight (lbs) |
|--------------|--------------------------------------|------|-------------|--------------|
| LA-004-001 * | PE Chambers Base | 1 | 25 | 55.1 |
| LA-005-001 * | PE Chambers Riser for Deep Burial | 1 | 31 | 68.3 |
| LA-006-002 * | PE Chambers Riser for Shallow Burial | 1 | 25 | 55.1 |
| LA-007-001 * | PE Chamber, water tight lid | 1 | 9 | 19.8 |

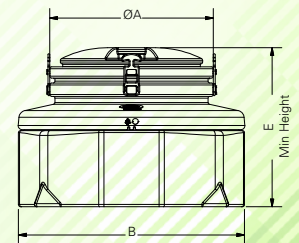
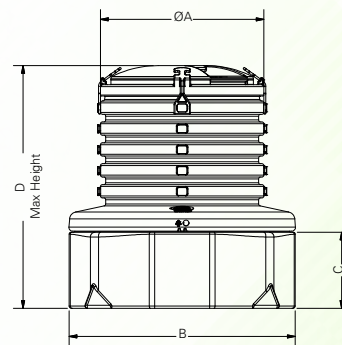


Note: Toggles OCH-1400-T included. Please Note a welding harness tool OCH-1400-H is required to install this product and must be ordered separately. This can be found under Associated Items on the menu. * May require lead time. Consult factory for availability.

LA-002-001



LA-002-002



| Model | A | B | C | D | E |
|------------|-----|------|-----|------|------|
| LA-002-001 | 880 | 1176 | 400 | 1641 | 1310 |
| LA-002-002 | 880 | 1176 | 400 | 1279 | 831 |

Base suits square or round containment collars on tank:

Square □: 970 mm max (38.2")

Round Ø: 1150 mm max (45.3")





OPTIMUM FUSION

With the PetroTite® Standard and Optimum fusion chambers the riser section electrofuses to the base, removing the need for multiple bolt holes and foam gaskets in this area, therefore dramatically reducing the number of potential leak paths.

With its simplified assembly, this electrofusion system also reduces the installation time. Welding of the chamber can be performed using UPP® electrofusion equipment in approximately six minutes.

Once welded and cooled the base and riser of the OCH models become one homogeneous unit, with no mechanical joints and no leak points. The chamber can then be vacuum tested to ensure that it is 100% leak-tight.

The Optimum chamber is available with either Deep or Shallow bases, and both will allow for a very easy installation of pipework before the riser is fused into place.

SPECIFICATIONS

OCH-1400-D / OCH-1400-S

40' container loading: 16 sets

Welding lead code: EF1-C7A

ORDERING INFORMATION

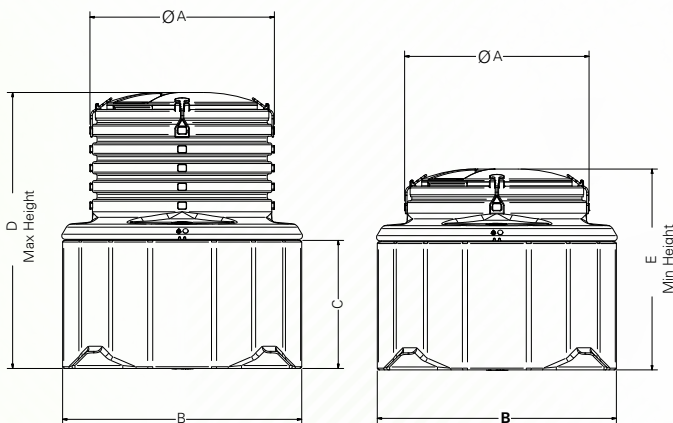
| Model | Description | Size (mm) | Pack | Weight (kg) | Weight (lbs) | Neck Opening (Ø mm) | Overall Height (mm) |
|------------|--------------------------------|-------------|------|-------------|--------------|---------------------|--------------------------|
| OCH-1400-D | PE Chamber Deep Burial 1400 | 1400 x 1616 | 1 | 92 | 203 | 980 | max = 1616 min = 1176 |
| OCH-1400-S | PE Chamber Shallow Burial 1400 | 1400 x 1266 | 1 | 80 | 176 | 980 | max = 1266 min = 826 |

| Model | Description | Pack | Weight (kg) | Weight (lbs) |
|---------------|------------------------------|------|-------------|--------------|
| OCH-1400-BD * | Deep Chambers Base | 1 | 45 | 99.2 |
| OCH-1400-BS * | Shallow Chambers Base | 1 | 34 | 74.9 |
| OCH-1400-RL * | Large opening Chambers Riser | 1 | 31 | 68.3 |
| OCH-1400-LW * | Lid, watertight, large bore | 1 | 12 | 26.4 |

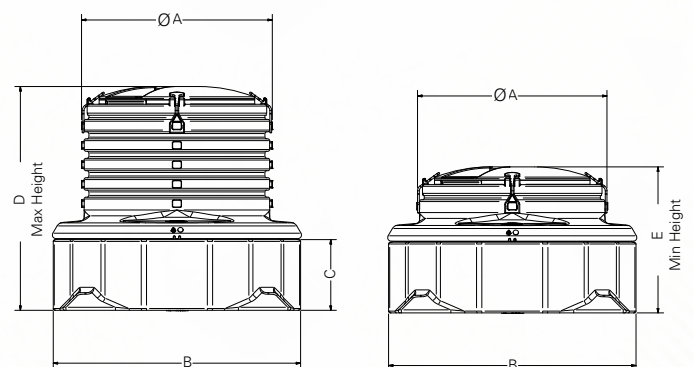


Note: Toggles OCH-1400-T included. Please Note a welding harness tool OCH-1400-H is required to install this product and must be ordered separately. This can be found under Associated Items on the menu. * May require lead time. Consult factory for availability.

OCH-1400-D



OCH-1400-S



| Model | A | B | C | D | E |
|------------|------|------|-----|------|------|
| OCH-1400-D | 1080 | 1400 | 750 | 1616 | 1176 |
| OCH-1400-S | 1080 | 1400 | 400 | 1266 | 826 |

Consult FFS Technical Support for square and round manway collar sizing to ensure internal dimensions of tank chamber are not exceeded by tank collar clamping plates.

Square □ : 1270x1270 mm max (50')
Round Ø: 1380 mm max (54.3')



OPTIMUM FUSION SMALL RISER

The Optimum chamber is available with either Deep or Shallow bases, and both will allow for a very easy installation of pipework before the riser is fused into place.

SPECIFICATIONS

OCH-1400-DS / OCH-1400-SS

| | |
|------------------------|---------|
| 40' container loading: | 16 sets |
| Welding lead code: | EF1-C7A |

ORDERING INFORMATION

| Model | Description | Size (mm) | Pack | Weight (kg) | Weight (lbs) | Neck Opening (Ø mm) | Overall Height (mm) |
|-------------|-----------------------------------|-------------|------|-------------|--------------|---------------------|-----------------------|
| OCH-1400-DS | PE Chamber Deep/ Small Bore | 1400 x 1616 | 1 | 86 | 189 | 780 | max = 1616 min = 1176 |
| OCH-1400-SS | PE Chamber Shallow/ Small Bore | 1400 x 1266 | 1 | 80 | 176 | 780 | max = 1266 min = 826 |

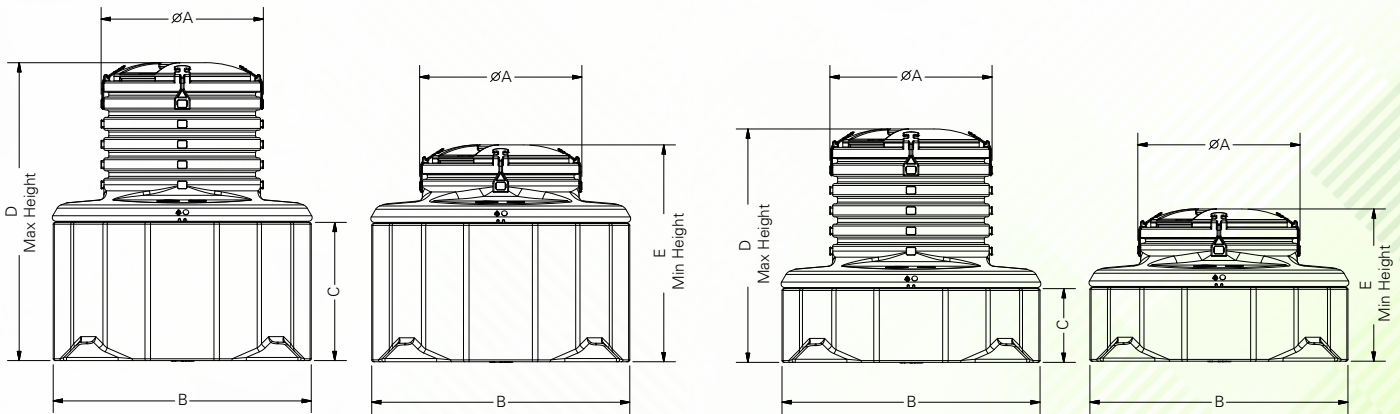
| Model | Description | Pack | Weight (kg) | Weight (lbs) |
|---------------|------------------------------|------|-------------|--------------|
| OCH-1400-BD * | Deep Chambers Base | 1 | 45 | 99.2 |
| OCH-1400-BS * | Shallow Chambers Base | 1 | 34 | 74.9 |
| OCH-1400-RS * | Small opening Chambers Riser | 1 | 26 | 57.3 |
| LA-007-001 * | PE chamber, water tight lid | 1 | 9 | 19.8 |



Note: Toggles OCH-1400-T included. Please Note a welding harness tool OCH-1400-H is required to install this product and must be ordered separately. This can be found under Associated Items on the menu. * May require lead time. Consult factory for availability.

OCH-1400-DS

OCH-1400-SS



| Model | A | B | C | D | E |
|-------------|-----|------|-----|------|------|
| OCH-1400-DS | 880 | 1400 | 750 | 1616 | 1176 |
| OCH-1400-SS | 880 | 1400 | 400 | 1266 | 826 |

Base suits square or round containment collars on tank:

Square □: 1270x1270 mm max (50")

Round Ø: 1380 mm max (54.3")





FUSION CHAMBERS

With the PetroTite® Standard and Optimum fusion chambers the riser section electrofuses to the base, removing the need for multiple bolt holes and foam gaskets in this area, therefore dramatically reducing the number of potential leak paths.

With its simplified assembly, this electrofusion system also reduces the installation time. Welding of the chamber can be performed using UPP® electrofusion equipment in approximately six minutes.

Once welded and cooled the base and riser of the LA models become one homogeneous unit, with no mechanical joints and no leak points. The chamber can then be vacuum tested to ensure that it is 100% leak-tight.

The LA Chamber is available in Deep or Shallow risers.

HIGHLIGHTS

- With the PetroTite® Standard and Optimum fusion chambers the riser electrofuses to the chamber base - no bolts, no leaks. Quick installation with no bolt holes.
- Vacuum testable. Specific testing at critical points ensures a leak-proof installation.
- Tank access remains dry and protected even in high water table areas.
- Compatible with all UPP® electrofusion entry seals. Fully welded UPP® system, eliminating mechanical joints and leaks.
- The two-piece design enables easy access during installation while the compact design allows for economy in shipping.

ASSOCIATED ITEMS

| Model | Description | Pack | Weight (kg) | Weight (lbs) |
|---------------|--------------------------------------|------|-------------|--------------|
| OCH-1400-H * | PE-Chambers Harness | 1 | 2.23 | 4.9 |
| OCH-1400-T * | Replacement toggles for OCH-Chambers | 1 | - | - |
| OCH-1400-BG * | Base Seal for Chambers | 1 | 0.57 | 1.25 |
| OCH-1400-G * | Gasket Watertight Lid Large Bore | 1 | 0.14 | 0.3 |
| LA-007-003 * | Gasket Watertight Lid Small Bore | 1 | 0.14 | 0.3 |
| EF1-110V | EF1 welders 110 V | 1 | 13.24 | 29.18 |
| EF1-230V | EF1 welders 230 V | 1 | 3.6 | 7.94 |

* May require lead time. Consult factory for availability.



OUTSIDE N. AMERICA UDC COMPATIBILITY CHART

Supplied from FFS, Wittlich, Germany. Contact FFS Wittlich Customer Service for availability and lead times.

| Model | Medium Depth Sump | Deep Depth Sump | Frame | Stabiliser Bar | |
|----------------------|---|-----------------|---------------|-----------------|-----------|
| Bennet | | | | | |
| 3K Series | P0783, P0784, P0785, P0786, P0831, P0828, P0829, P0830, P0951, P0982 | LMM-2010 | LMD-2010 | Included | SBK-2 |
| Compaq | | | | | |
| Legend | MD6 | LMM-4111 | LMD-4111 | Included | SBK-25 |
| Dresser Wayne | | | | | |
| Vista™ | 3/V590D, 3/V591D, 3/V595D, 3/V490D, 3/V490D/U, 3/V590D/U, 3/V595D/U, 3/V399D, 3/V390D, 3/V390D/U, V395P/U, V590P/U, V590D/U, V395D/U, 1/V395D/U, 1/V590D/U, 1/V590D, X1/V590D, V395D, X/V395D, V590D, X/V590D | LMM-4111 | LMD-4111 | Included | SBK-25 |
| Ovation™ | R11, R13, B12/R22, B23 | DS3915 | DS3915 | Included | SBK-3 |
| Global Star | H Frame | DS4620 | DS4620 | DS4620-F-WGHF | DS-SBA-20 |
| | CXX-11 1 product, CXX-21 2 product, CXX-31 3 product | DS3818 | DS3818 | DS3818-F-CX31 | DS-SBA-18 |
| | CXX-44 4 product | DS5518 | DS5518 | DS5518-F-CX44 | DS-SBA-18 |
| 3/G Prefix | 3/G2201D, 3/G2221D/GHK, 3/G2227D/GJKR, 3/G3387D, 3/G3388, 3/G3389D, 3/G3384D | LMM-2715 | LMD-2715 | Included | SBK-3 |
| | 3/G3397D, 3/G3399D, 3/G3390D, 3/G3490D, 3/G3498D | LMM-4115 | LMD-4115 | Included | SBK-3 |
| Helix | 2000 and 4000 series | LMM-2915 | LMM-2915 | Included | SBK-3 |
| | 5000 series | LMM-4115 | LMM-4115 | Included | SBK-3 |
| Gilbarco™ | | | | | |
| Encore™ | 550/500, 500S | DS3617 ENCORE | DS3617 ENCORE | Included | SBK-3 |
| SK700 | 2/1/2 - 2 hose | DS3420 | DS3420 | DS3420-F-SK72 | DS-SBA-20 |
| | 4/2/4 - 4 hose | DS3420 | DS3420 | DS3420-F-SK74 | DS-SBA-20 |
| | 6/3/6 - 6 hose | DS4620 | DS4620 | DS4620-F-SK76 | DS-SBA-20 |
| | 8/4/8 - 8 hose | DS4620 | DS4620 | DS4620-F-SK78 | DS-SBA-20 |
| | 10/5/10 - 10 hose | DS5518 | DS5518 | DS5518-F-SK710 | DS-SBA-20 |
| Advantage™ | 1 and 2 Grade | LMM-2915 | LMD-2915 | Not Required | SBK-3 |
| | 3 and 4 Grade | LMM-4115 | LMD-4115 | Included | SBK-3 |
| | Quad/Dual | LMM-2915 | LMD-2915 | Included | SBK-3 |
| | X+0 (36" frame) | LMM-2915 | LMD-2915 | Included | SBK-3 |
| China | TC3202-202, TB3202-202 | DS4620 | DS4620 | DS4620-F-3202 | DS-SBA-20 |
| Neotec | | | | | |
| M-5200 | M5225 | LMM-2010 | LMD-2010 | Included | SBK-2 |
| Petrotech | | | | | |
| | EURO 4000B DBL PMP | DS3617 | DS3617 | | DS-SB17.1 |
| | EURO 4000B SNGL PMP | DS3617 | DS3617 | | DS-SB17.1 |
| | P5000 3P6H | DS5518 | DS5518 | | DS-SBA-18 |
| Prowalco | | | | | |
| Salesmaker | Salesmaker 10 Hose | DS5518 | DS5518 | | DS-SBA-18 |
| | SM1080W | DS3617 | DS3617 | | DS-SB17.1 |
| | SM1011WHV | LMM-2615 | LMD-2615 | Included | SBK-3 |
| | SM1020, SM1020WHV, SM1021WHV, SM1921WHV STD, SM1021W, SM1021WHV SIDOFL, SM1020WHV SIDOFL, SM1020WHV SIDOSL, SM1040W, SM1040WHD, SM1041WHD, SM1041W, SM1010, SM1010WHV, SM1020WSIDOFL, SM1021WSIDOFL, SM1031W | LMM-2715 | LMD-2715 | Included | SBK-3 |
| | SM1060W | LMM-4115 | LMD-4115 | Included | SBK-3 |
| | SM1061W | LMM-4115 | LMD-4115 | Included | SBK-3 |
| Somo | | | | | |
| Multi Ex | 4S, 4S2H, 6S | LMM-4111 | LMD-4111 | Included | SBK-25 |
| Tatsuno | | | | | |
| Sunny XE | Sunny XE Wide Body | DS4620 | DS4620 | DS4620-F-TSXE-W | DS-SBA-20 |
| Sunny XE | Sunny XE Narrow Body | DS3420 | DS3420 | DS3420-F-TSXE-N | DS-SBA-20 |
| Sunny - X | 3 product | LMM-4111 | LMD-4111 | Included | SBK-25 |
| Multi - X | 3 product | LMM-4111 | LMD-4111 | Included | SBK-25 |
| Tokheim™ | | | | | |
| Quantium™ | 410T | DS4620 | DS4620 | DS4620-F-Q410 | DS-SBA-20 |
| | 510T 2 product | DS3420 | DS3420 | DS3420-F-Q5T2 | DS-SBA-20 |
| | 510T 3 product | DS4620 | DS4620 | DS4620-F-Q5T3 | DS-SBA-20 |
| | 510T 4 product, 2 column | DS4620 | DS4620 | DS4620-F-Q5T4 | DS-SBA-20 |
| | 510T 4 product, 3 column | DS4620 | DS4620 | DS4620-F-Q5T4-3 | DS-SBA-20 |
| | 510T 4 product, 4 column | DS4620 | DS4620 | DS4620-F-Q5T4-4 | DS-SBA-20 |
| | 510T 5 product | DS5518 | DS5518 | DS5518-F-Q5T5 | DS-SBA-18 |
| | 430S | LMM-2811 | LMD-2811 | Included | SBK-25 |
| | 330S | LMM-2407 | LMD-2407 | Included | SBK-1 |
| | 230T | LMM-2010 | LMD-2010 | Included | SBK-25 |

Gilbarco™, Advantage™ and Encore™ are trademarks of Gilbarco Inc.
 Wayne™ is a trademark of Dresser Equipment Group Inc.
 Ovation™ and Vista™ are trademarks of Dresser Inc.
 Quantum™ and Tokheim™ are trademarks of Tokheim Holding B.V.





NEXUS SERIES™

UNDER DISPENSER CONTAINMENT SUMPS

UPP® brand Nexus Series™ under dispenser containment sumps (UDCs) combine a completely optimised containment space with the latest in double wall piping technology to deliver a truly state-of-the-art containment space. By incorporating an advanced UDC with UPP® double wall termination fittings and Gemini® secondary containment pipe fittings, you get superior watertight containment with faster and safer installations.

HIGHLIGHTS

Redefining Under Dispenser Containment

Franklin Fueling Systems has totally re-imagined under dispenser containment with the UPP® brand Nexus Series™ line of under dispenser containment. We've completely optimised the containment space making installation faster, easier, more secure and removed potential leak paths for superior watertight containment.

Eliminate Potential Leak Points

The Nexus Series employs the use of Gemini® Secondary Contained Fittings under the containment to reduce the amount of penetrations. Instead of penetrating both sides of the containment, only a single seal is needed per line.

- Drastically reduces the amount of containment penetrations and potential leak paths on a site.
- Electrofusion welded entry seals ensure liquid and vapour tight seals between pipework and containment.
- Gemini® secondary contained fittings are both EN and UL approved and proven in the field.

A Fully Optimised Use of Space

Space in under dispenser containment is at a premium. The Nexus Series™ provides an ideal, fully optimised containment space with enough room to work freely, yet also minimises the overall size of the containment.

- A single stabiliser bar spans the length of the sump with preset U-Bolt holes for fast and accurate shear valve installation.
- The optimised containment space brings all connections within arm's reach of a service contractor.
- The integrated angled side wall provides an ideal surface for electrical connection penetrations.

Secondary Contained Protection to Grade

The Nexus Series™ was specifically designed to incorporate UPP® brand double wall termination fittings which provide secondary contained pipe protection all the way to grade level.

- Eliminates potential leak paths and minimises installation time with a single-piece termination fitting.
- The single-piece construction of double wall termination fittings allow for minimal welds, cleaning and scraping operations during installation.
- Easy access to the integrated test port makes integrity testing of the secondary contained system simple.

Integrated Monitoring Features

Two integrated monitoring sensor reservoirs molded into the under dispenser containment make placement of liquid sensors simple and consistent.

- The dual recessed sensor reservoirs allow any liquid to pool quickly and provide prompt indication.
- Reservoirs are appropriately sized to fit either a smaller liquid detecting sensor or a larger discriminating sensor.
- Integrated channels run the length of the containment bottom, guiding any liquid directly towards the sensor.

A Versatile Frame for Any Application

The adjustable frame height feature provides installation versatility and ensures a uniform installation. This eliminates the use of scrap metal or wood to hold the under dispenser containment in place.

- The powder coated finish provides long-lasting corrosion protection with five height adjustment points.
- Integrated pipe spacers eliminate the need for in-field pipe spacing materials such as foam or wood while also stabilising pipe and fittings during welding.
- Integrated tabs allow for support and easy anchor into concrete.

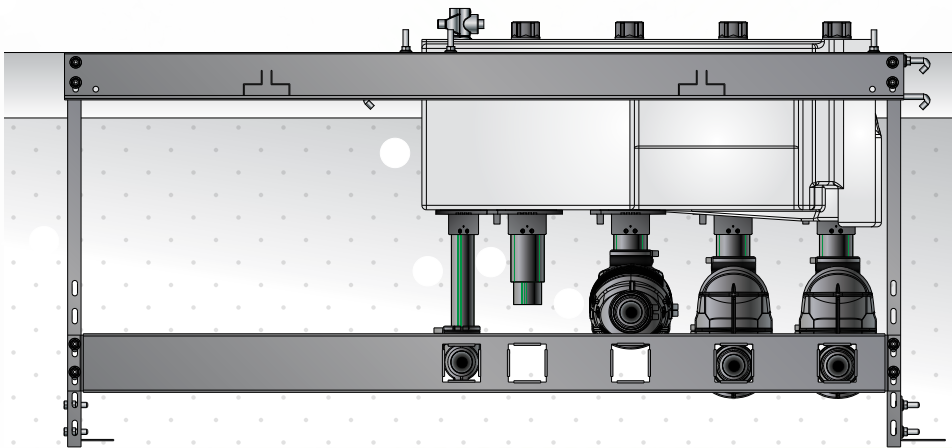
SPECIFICATIONS

- Shallow pan material: HDPE
- Frame material: Powder coated steel
- Stabiliser bar material: Galvanised steel
- Designed for specific use with UPP® brand double wall termination fittings and Gemini® secondary containment pipe fittings (tees and 90° elbows).
- Field height adjustable between 514mm and 629 mm

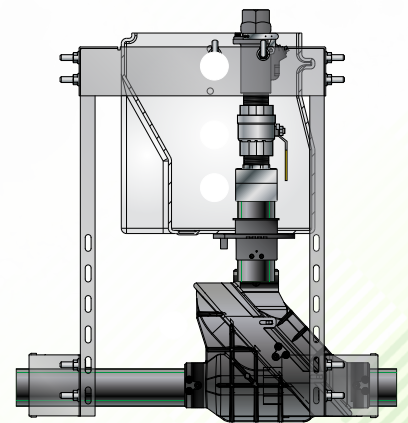
Components

Shown in various stages of installation for reference purposes.

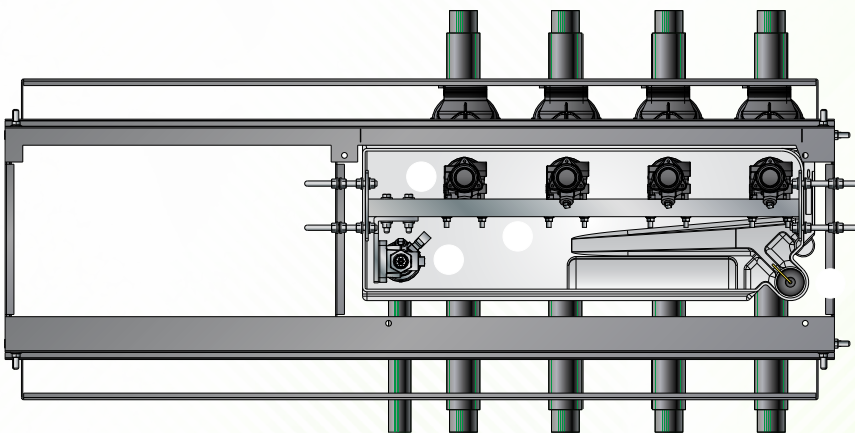
- Shallow pan (Nexus Series™)
- Frame (Nexus Series™)
- Stabiliser bar (Nexus Series™)
- Double wall termination fittings
- Gemini® tee (or 90° elbow)
- Stage II vapour recovery line
- Vapour shear valve
- Product shear valve
- Ball valve
- Liquid sensor



Front View



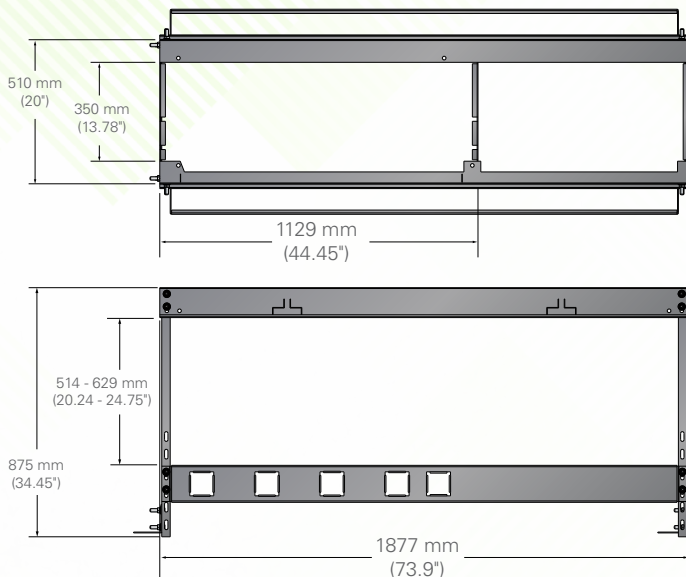
Side View



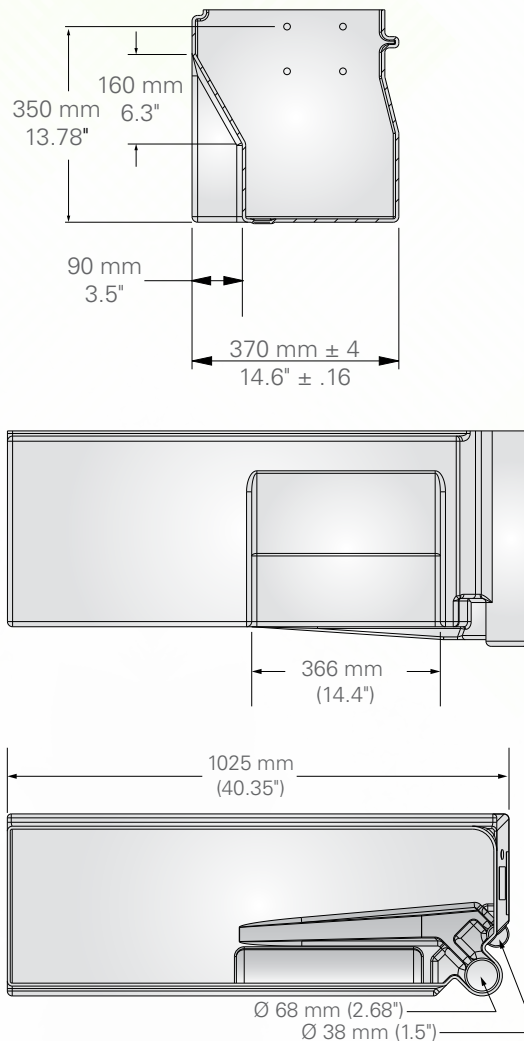
Top View

SPECIFICATIONS CONTINUED

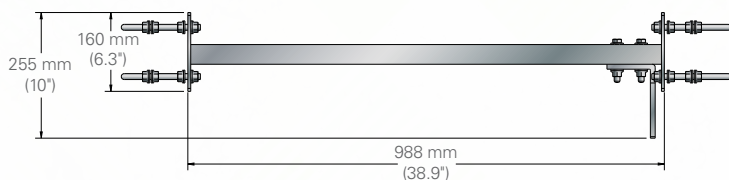
Frame Dimensions



Shallow Pan Dimensions



Stabiliser Bar Kit Dimensions



ORDERING INFORMATION

| Model | Description | Weight (kg) | Weight (lbs) |
|----------------|---|-------------|--------------|
| DP-Q510-48-S | Nexus Series™ shallow pan for use with Tokheim™ four-product dispenser | 8.5 | 18.7 |
| DP-Q510-48-F | Nexus Series™ frame for use with Tokheim™ four-product dispenser | 35 | 77.2 |
| DP-Q510-48-SBK | Nexus Series™ stabiliser bar kit for use with Tokheim™ four-product dispenser | 10 | 22 |
| 66213801 | U-Bolt kit for stabiliser bar* | 0.1 | 0.2 |

*Order (1) one U-Bolt kit per shear valve.

LARGE MOUTH



The large mouth dispenser sump modular design provides versatility and ease of installation. There are six polyethylene bases in three lengths and two depths. These bases have a large 22" wide by 24", 36" or 48" long openings, easing the installation of entry boots and piping connections. The ribbed riser can be cut down in 3" increments in the field to achieve proper pipe slopes with respect to grade. A variety of large mouth tops (LMTs) are available to match nearly every dispenser model. The lids are corrosion-resistant painted steel to which shear valves and dispenser frames are mounted.

HIGHLIGHTS

- 22" wide by 24", 36" or 48" long opening on base gives plenty of room for boot, fitting and monitor installation.
- Available in medium and deep burial depths to properly maintain slope.
- The base widens to a spacious 26" where entry boots and pipe connections are made.
- Height modifications are accomplished by trimming off the base at the ribs.
- Stabiliser bar kits (SBKs) mount into welded strut channels for shear valve mounting. One SBK is required for each shear valve and must be purchased separately.

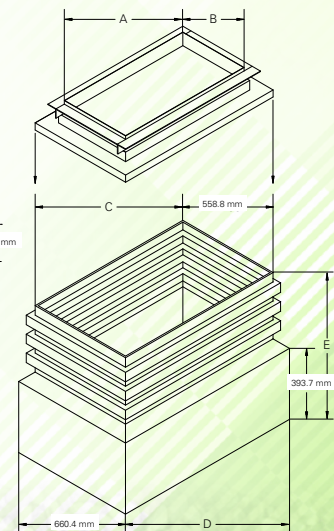
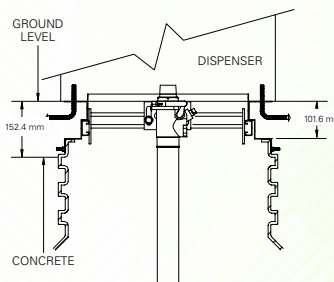
ORDERING INFORMATION

| Model | Description | Weight (kg) | Weight (lbs) | Overall Base Dimensions |
|--------------|--------------------------------------|-------------|--------------|-------------------------|
| LM(M/D)-2010 | Medium/Deep Dispenser Sump 20" x 10" | 34.9 | 77 | 508 x 254 |
| LM(M/D)-2915 | Medium/Deep Dispenser Sump 29" x 15" | 38.5 | 85 | 737 x 381 |
| LM(M/D)-4111 | Medium/Deep Dispenser Sump 41" x 11" | 46.7 | 103 | 1042 x 280 |
| LM(M/D)-4115 | Medium/Deep Dispenser Sump 41" x 15" | 50.3 | 111 | 1042 x 381 |

| Model | Description | Weight (kg) | Weight (lbs) | Length (mm)* |
|--------|------------------------------------|-------------|--------------|-----------------------|
| SBK-2 | Stabiliser Bar Kit for 2010 | 2.8 | 6.2 | 209 (min) - 260 (max) |
| SBK-25 | Stabiliser Bar Kit for 4111 | 2.9 | 6.3 | 254 (min) - 362 (max) |
| SBK-3 | Stabiliser Bar Kit for 2915 & 4115 | 3.3 | 7.4 | 343 (min) - 540 (max) |

Measures to outside edge of the stabiliser bar kit.

| Model | A (mm) | B (mm) | C (mm) | D (mm) | E (mm) | |
|--------------|--------|--------|--------|--------|--------|-------|
| | | | | | (LMM) | (LMD) |
| LM(M/D)-2010 | 520 | 254 | 610 | 711 | 711 | 1092 |
| LM(M/D)-2915 | 756 | 400 | 914 | 1016 | 711 | 1092 |
| LM(M/D)-4111 | 1054 | 279 | 1219 | 1321 | 711 | 1092 |
| LM(M/D)-4115 | 1054 | 400 | 1219 | 1321 | 711 | 1092 |



WAYNE™ OVATION™

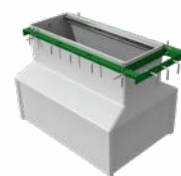
Our dispenser sumps, with patented welded entry boot and piping systems, give you what you need; years of worry-free, maintenance free performance. All our UPP® sumps are manufactured from virgin polyethylene with a steel painted frame and galvanised steel stabiliser bar and they are compatible with the UPP® electrofusion entry system.

HIGHLIGHTS

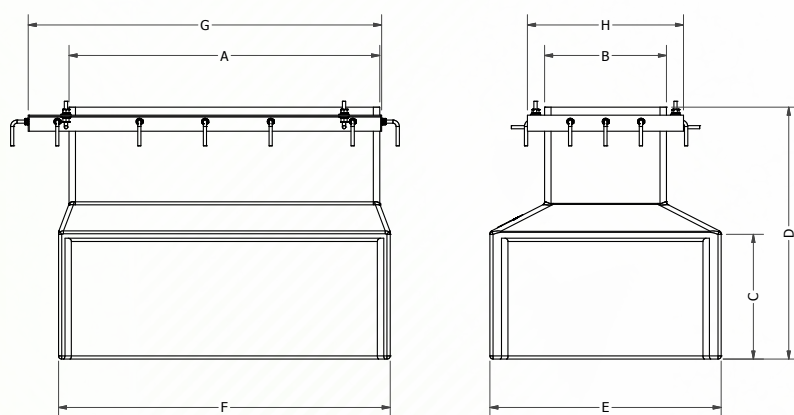
- Rigid and thick one-piece PE body with reinforced contoured structure.
- No Leak Paths - one system when using UPP® Electrofusion(EIF) Entry Seals.
- Conduits can enter the dispenser through mounting frame without penetrating the sump wall.
- Integrated rain lip option.
- Large clear entry seal face.
- The PetroTite® Ribbed Dispenser Sumps neck can be trimmed to adjust sump burial depth.
- Stabiliser bars feature pre-drilled shear valve mounting plate and spring channel nuts.

ORDERING INFORMATION

| Model | Description | Weight (kg) | Weight (lbs) | Overall Base Dimensions (mm) |
|----------------|---|-------------|--------------|------------------------------|
| DS3915-OVATION | Deep Dispenser Sump 39" x 15" for Wayne™ Ovation™ | 30 | 66.1 | 1031 x 719 |



| Model | Description | Weight (kg) | Weight (lbs) | Length (mm)* |
|--------|-------------------------------|-------------|--------------|-----------------------|
| SBK-25 | Stabiliser Bar Kit for DS3915 | 2.9 | 6.3 | 254 (min) - 362 (max) |



| Model | A | B | C | D | E | F | G | H |
|--------|-----|-----|-----|-----|-----|------|------|-----|
| DS3915 | 966 | 379 | 389 | 782 | 719 | 1031 | 1096 | 485 |

UPP® DISPENSER SUMPS



UPP® dispenser sumps feature a rigid 8mm thick HDPE body with reinforced contoured structure and integrated rain lip allowing them to stand up to harsh forecourt conditions such as ground movement or hydrostatic pressure. The neck of UPP® dispenser sumps can be trimmed to adjust for varying sump burial depths ensuring an efficient installation. In addition, the durable steel UPP® dispenser sump top frames feature conduit entry points which allow conduit to enter the dispenser through the top frame without having to penetrate the sump wall. The galvanized steel stabiliser bars feature pre-drilled shear valve mount plates and spring channel nuts for quick mounting. UPP® electrofusion entry boots allow you to connect UPP® pipework directly to the dispenser sump, creating a solid, one-piece construction and eliminating potential leak paths.

HIGHLIGHTS

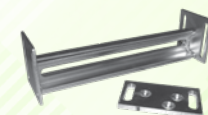
- Rigid and thick one-piece PE body with reinforced contoured structure.
- No Leak Paths - one system when using UPP® Electrofusion(EIF) Entry Seals.
- Conduits can enter the dispenser through mounting frame without penetrating the sump wall.
- Integrated rain lip option.
- Large clear entry seal face.
- The PetroTite® Ribbed Dispenser Sumps neck can be trimmed to adjust sump burial depth.
- Stabiliser bars feature pre-drilled shear valve mounting plate and spring channel nuts.

ORDERING INFORMATION

| Model | Description | Weight (kg) | Weight (lbs) | Overall Base Dimensions (mm) |
|---------------|---|-------------|--------------|------------------------------|
| DS3617 ENCORE | Deep Dispenser Sump 36" x 17" for Gilbarco™ Encore™ | 36.6 | 80.7 | 996 x 719 |



| Model | Description | Weight (kg) | Weight (lbs) | Length (mm)* |
|-------|--------------------------------------|-------------|--------------|-----------------------|
| SBK-3 | Stabiliser Bar Kit for DS3617 ENCORE | 3.3 | 7.4 | 343 (min) - 540 (max) |



ORDERING INFORMATION

| Model | Description | Weight (kg) | Weight (lbs) | Overall Base Dimensions (mm) |
|--------|-------------------------------|-------------|--------------|------------------------------|
| DS3818 | Deep Dispenser Sump 38" x 18" | 34.4 | 75.8 | 1034 x 880 |
| DS5518 | Deep Dispenser Sump 55" x 18" | 42.4 | 93.5 | 1397 x 880 |



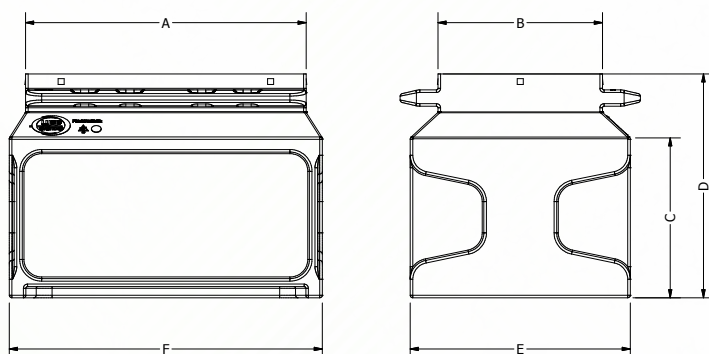
| Model | Description | Weight (kg) | Weight (lbs) | Length (mm) |
|-----------|------------------------------------|-------------|--------------|-------------|
| DS-SBA-18 | 18" Wide Access Stabiliser Bar Kit | 4 | 8.8 | 483 x 140 |



| Model | Description | Weight (kg) | Weight (lbs) | Overall Base Dimensions (mm) |
|--------|--------------------------------|-------------|--------------|------------------------------|
| DS3420 | PE Wide Access Sumps 34" x 20" | 27.7 | 61.1 | 967 x 680 |
| DS4620 | PE Wide Access Sumps 46" x 20" | 32.6 | 71.9 | 1273 x 680 |



| Model | Description | Weight (kg) | Weight (lbs) | Length (mm)* |
|-----------|------------------------------------|-------------|--------------|--------------|
| DS-SBA-20 | 20" Wide Access Stabiliser Bar Kit | 4 | 8.8 | 496 x 140 |



| Model | A | B | C | D | E | F |
|--------|------|-----|-----|-----|-----|------|
| DS3818 | 1034 | 495 | 610 | 785 | 880 | 1034 |
| DS5518 | 1397 | 495 | 610 | 785 | 880 | 1397 |
| DS3420 | 867 | 508 | 500 | 700 | 680 | 967 |
| DS4620 | 1173 | 508 | 500 | 700 | 680 | 1273 |

| Model | A | B | C | D | E | F | G | H |
|---------------|-----|-----|-----|-----|-----|------|------|-----|
| DS3617 ENCORE | 966 | 379 | 389 | 782 | 719 | 1031 | 1096 | 485 |

MOUNTING FRAMES

ORDERING INFORMATION

| Model | Description | Weight (kg) | Weight (lbs) | Neck Opening (mm) |
|----------------|---|-------------|--------------|-------------------|
| DS3420-F-SK72 | Gilbarco™ (*) SK700 2 Hose Mounting Frame | 10 | 22 | 863 x 508 |
| DS3420-F-SK74 | Gilbarco™ (*) SK700 4 Hose Mounting Frame | 10.7 | 23.6 | 863 x 508 |
| DS4620-F-SK76 | Gilbarco™ (*) SK700 6 Hose Mounting Frame | 11 | 24.3 | 1168 x 508 |
| DS4620-F-SK78 | Gilbarco™ (*) SK700 8 Hose Mounting Frame | 14.4 | 31.7 | 1168 x 508 |
| DS4620-F-Q410 | Gilbarco™ (*) Encore™ 510 Mounting Frame | 11.8 | 26 | 1168 x 508 |
| DS5518-F-SK710 | Gilbarco™ (*) Encore™ 510 Mounting Frame | 15.8 | 34.8 | 1168 x 508 |



| Model | Description | Weight (kg) | Weight (lbs) | Neck Opening (mm) |
|---------------|--|-------------|--------------|-------------------|
| DS3420-F-Q5T2 | Tokheim™ (*) Q500 2 product Mounting Frame | 7.6 | 16.8 | 863 x 508 |
| DS4620-F-Q5T3 | Tokheim™ (*) Q500 3 product Mounting Frame | 10.7 | 23.6 | 1168 x 508 |
| DS4620-F-Q5T4 | Tokheim™ (*) Q500 4 product Mounting Frame | 12.1 | 26.7 | 1168 x 508 |
| DS5518-F-Q5T5 | Tokheim™ (*) Q500 5 product Mounting Frame | 14.7 | 32.4 | 1397 x 457 |



| Model | Description | Weight (kg) | Weight (lbs) | Neck Opening (mm) |
|---------------|--|-------------|--------------|-------------------|
| DS3818-F-CX31 | Wayne™ (*) CXX.11, 21, 31 Mounting Frame | 8.2 | 18.1 | 965 x 457 |
| DS4620-F-WGHF | Wayne™ (*) Global Mounting Frame | 12 | 26.5 | 1168 x 508 |
| DS5518-F-CX44 | Wayne™ (*) CX44 Mounting Frame | 12.8 | 28.2 | 1397 x 457 |



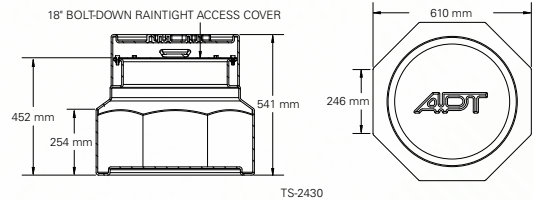


BELOW GRADE

APT®'s TS-2430, TS-3630 and TS-4230 tank sumps are ideally suited for low cost retro fits and shallow burial applications. The TS-2430 is ideal for line branching points and for containing piping splices. The 36" or 42" bases provide ample space for submersibles and fittings. The bolt-on gasket-lid combination fits economically under a 30" manway.

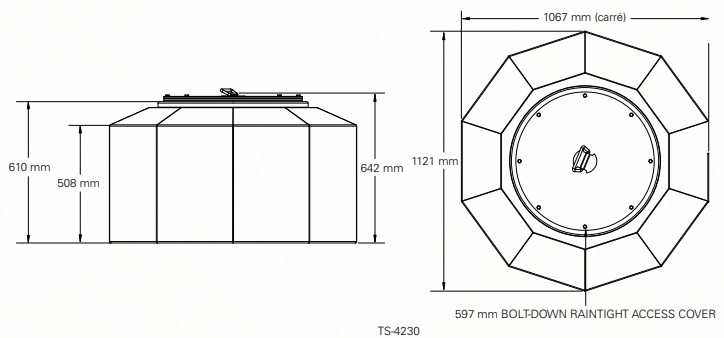
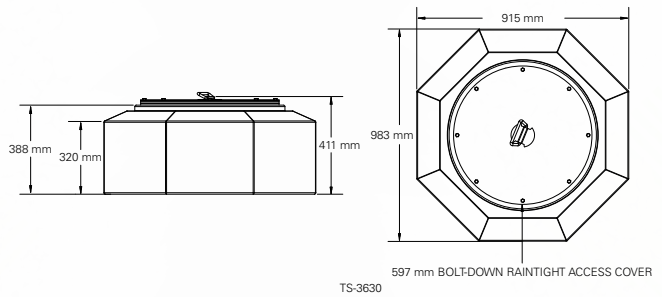
HIGHLIGHTS

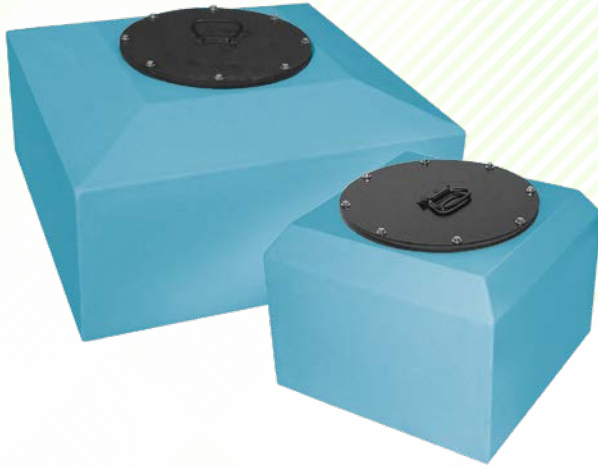
- TS-2430 utilizes an 18" bolt-down watertight lid.
- TS-3630 and TS-4230 utilize a 597 mm bolt-down watertight lid.
- High density polyethylene construction is durable and chemical-resistant.
- All TS-Series sumps allow fittings to be installed with ease, while tapered design allows for installation under an economical 30" manway.
- Bolt-down cover can be easily removed for routine inspections.
- One-piece design enhances water resistance.



ORDERING INFORMATION

| Model | Description |
|------------|---|
| TS-2430 | Transition sump, shallow burial, 24" base, fits under a 30" manway |
| TS-3630 | Tank sump, shallow burial, 36" base, fits under a 30" manway |
| TS-4230 | Tank sump, medium burial, 42" base, fits under a 30" manway |
| TS-KIT | TS-3630/4230 retro fit kit, replacement lid assembly for screw-on polyethylene lids |
| 999-855-55 | Replacement gasket |





BELOW GRADE INTERMEDIATE

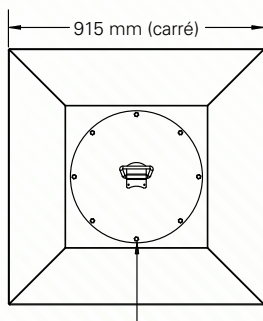
The APT® intermediate piping sump is a multifunctional component in the underground flexible piping system. The IPS-2424 and IPS-3636 can be used as a containment sump for fittings when utilizing a tee between dispenser islands, for contained piping splices, or for line branching points. These sumps are ideal for a low point sensor chamber between USTs and dispenser islands where required.

HIGHLIGHTS

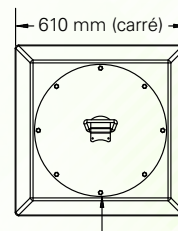
- 18" bolt-down watertight lid.
- Design is engineered to be multi-functional.
- Sumps are constructed from high density polyethylene, making them durable and chemical-resistant.
- Two sizes available, 24" x 24" square and 36" x 36" square.
- Tapered top allows both intermediate piping sumps to fit securely under a 24" manway.
- One-piece design ensures environmental security and water resistance.

ORDERING INFORMATION

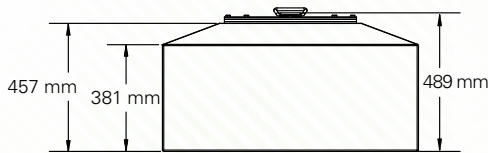
| Model | Description |
|------------|--|
| IPS-2424 | Intermediate piping sump, 24" x 24", fits under a 24" manway |
| IPS-3636 | Intermediate piping sump, 36" x 36", fits under a 36" manway |
| 999-855-54 | Replacement gasket |
| 735-101-02 | Replacement cover |



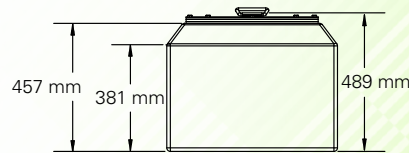
18" BOLT-DOWN RAIN-TIGHT ACCESS COVER



18" BOLT-DOWN RAIN-TIGHT ACCESS COVER



IPS-3636



IPS-2424



GRADE LEVEL

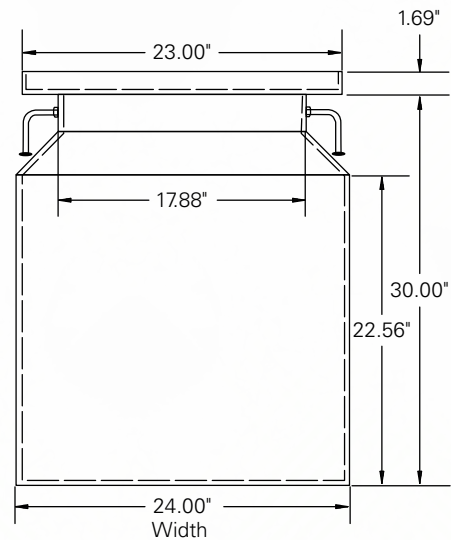
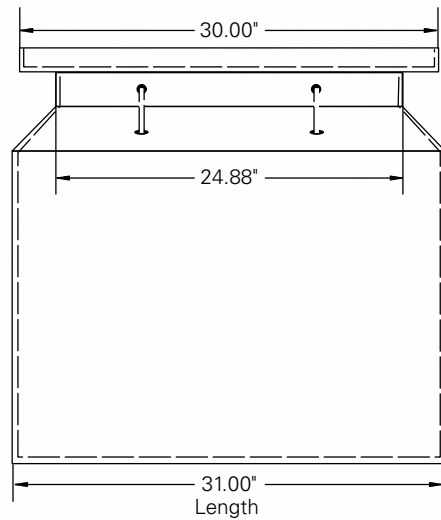
The AST above or below ground transition sump is the practical, environmentally sound solution for remote dispensing from aboveground storage tanks. Steel and flexible piping enter the sump through the APT® flexible entry boot. Inside the sump, the steel piping easily connects to flexible piping for a fueltight, continuous run to dispensers or an intermediate sump.

HIGHLIGHTS

- Transition sumps help meet environmental regulations by isolating metal piping from the soil.
- Transition sumps can be installed either inside or outside containment dikes.
- 30" burial depth allows the transition sump to be used as the system low point for leak detection.
- Load rated composite cover.
- Flexible entry boot provides a fueltight and watertight seal around the metal piping and flexible piping as it enters the sump lid and sidewall.
- H-20 load rating. Pipe entries installed in lids negate the load rating.

ORDERING INFORMATION

| Model | Description |
|------------|--|
| AST-2922 | Aboveground storage tank transition sump |
| 999-855-53 | Replacement gasket |
| 252-029-23 | Replacement AST-2922 lid, grey |
| IP-400-B | Inspection replacement port, FEB style with replacement well cap |





GRADE LEVEL SLEEVE

The transition sleeve is the practical, environmentally sound solution for above and below ground supply of generator or boiler applications from remote storage tanks. Steel piping enters the sleeve through APT® special flexible double entry boots. It is an economical alternative that allows a straightforward installation with no special tools.

HIGHLIGHTS

- Transition sleeve provides the transition for above and below ground level.
- Transition sleeve provides the transition of APT® pipe to steel pipe.
- May be additionally used for through-wall installation, above or below ground.
- Low cost alternative to the AST-2922 transition sump.
- Designed to utilize APT® dual entry and ducted boots.
- Split design allows aboveground spill or leak containment. Ready access for maintenance or replacement of joint hardware and pipe.
- The transition sleeve can accommodate for fill/feed generator applications.

SPECIFICATIONS

TSL-005 Includes

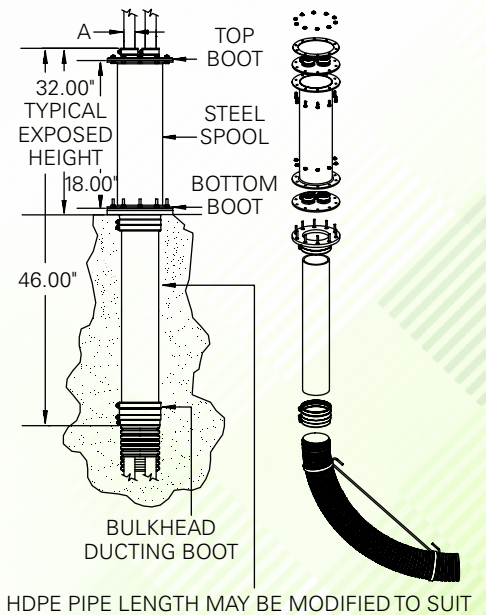
- Transition sleeve spool, 5" ID.
- HDPE pipe, 18" length, 4" ID.
- Bulkhead ducting boot.
- Hose clamps.
- Blue corrugated ducting, 48" length.
- ¼" formed steel rod.
- Installation instructions.

Transition Sleeve Top Boot Assembly

| Model | Description | A | Mtg. Hole Size | Mtg. Studs |
|-----------|--|----------------|----------------|------------|
| TST-100-D | Transition sleeve top flexible entry boot, 1" steel pipe | 1.32" or 1.70" | 5.50" | 10 |

Transition Sleeve Bottom Boot Assembly

| Model | Description | A | Mtg. Hole Size | Mtg. Studs |
|------------|---|----------------|----------------|------------|
| TSB-100-D | Transition sleeve bottom flexible entry boot, 1" steel pipe | 1.32" or 1.70" | 5.50" | 10 |
| TSB-100-SC | Transition sleeve bottom flexible entry boot, 1" steel pipe | 1.70" | 5.50" | 10 |



ORDERING INFORMATION

| Model | Description |
|------------|---|
| TSL-005 | Transition sleeve (top and bottom entry boot, sold separately) |
| TST-100-D | Transition sleeve top flexible entry boot, 1" steel pipe |
| TSB-100-D | Transition sleeve bottom flexible entry boot for XP-100-D or 1" conduit |
| TSB-100-SC | Transition sleeve bottom flexible entry boot for XP-100-SC |

Note: The transition sleeve along with the top and bottom entry boot should be ordered separately.



WALL SLEEVE

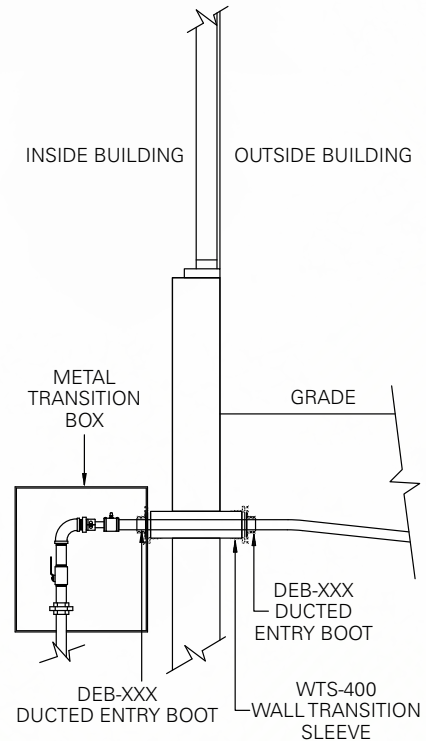
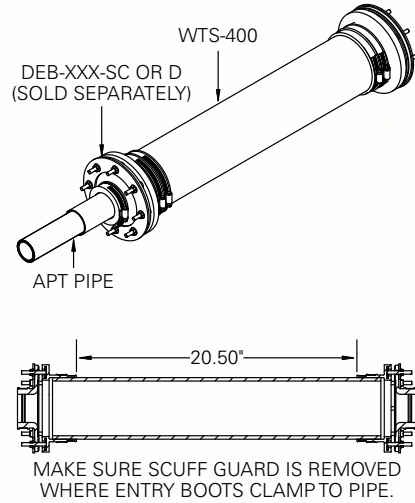
The wall transition sleeve is a practical, environmentally sound solution for below ground generator or boiler applications that pass through the walls of buildings or concrete structures. Piping enters the sleeve through APT®'s special flexible entry boots. The wall transition sleeve is an economical alternative that allows a straightforward installation with no tools.

HIGHLIGHTS

- Transition sleeve used for through-wall installation.
- Low cost alternative.
- Designed to utilize APT® ducted entry and single entry flexible boots.
- The transition sleeve can accommodate for fill/feed generator applications.

ORDERING INFORMATION

| Model | Description |
|---------|--|
| WTS-400 | Wall transition sleeve (ducted entry boot required, sold separately) |



WELDERS

The EF1 UPP® electrofusion unit from Franklin Fueling Systems works with all UPP® electrofusion fittings and products. UPP® welders feature state-of-the-art electronics which allow for a more compact, user-friendly design.



HIGHLIGHTS

- The EF1 welder is IP65 rated and has been tested around the world under exacting site conditions and has proved to be an easy to use, efficient and invaluable addition to the tool box. Its robust construction, dust proof features and enhanced graphic feed-back of the electrofusion progress, offer real benefit to the operator.
- The unit's improved self diagnostic capabilities also ensure increased reliability and tolerance in a variety of climatic conditions. It comes complete with welding leads in a lightweight carry bag for the 230V and a robust case for the 110V.
- The EF1 unit automatically recognizes the fitting when connected with the correct welding cable. It also checks the ambient temperature using a sensor positioned in the housing and adjusts the energy level to balance with the local environment. It then applies the correct amount of energy for a successful weld.

SPECIFICATIONS

CE Certified

Supplied Cables

| | | | |
|-------------------------------------|----------|-------|-----------|
| Primary Cable - Standard | Red | 4mm | 5.5m long |
| Secondary Containment Cable | Green | 2mm | 5.5m long |
| Bridging Cable (For multiple welds) | Red | 4mm | 5.5m long |
| Fusion Chamber Cable | White | 2.3mm | 5.5m long |
| Power Supply Cable | 4m (13') | | |

Welding Unit Specifications

Welding Unit Specifications

| | | |
|------------------------|-----------------------------|----------------------|
| UPP® Stock Code Number | EF1-230V | EF1-110V |
| Operating Voltage | 230 V (+/-15%) | 110 V (+/-15%) |
| Operating Frequency | 40 to 70 Hz | |
| Operating Temperature | -15° to 45°C (5°F to 113°F) | |
| Shipping Dimensions | 460mm x 210mm x 210mm | 420mm x 340mm x 80mm |
| Shipping Weight | 3.6 kg | 13.24 kg |

This unit is designed to weld UPP® pipes and fittings only* and must not be used in conjunction with any other Polyethylene pipework systems. *The UPP® systems welder uses a constant current welding system unlike other systems which use constant voltage. Non-UPP® fittings may not be fused correctly with a risk of leakage. Information shown is accurate at the time of going to print. Franklin Fueling Systems reserves the right to change product specifications at any time.



ORDERING INFORMATION

| Model | Description | Pack Size | Kg | Lbs. | Colour |
|----------|---------------------|------------|-------|-------|--------|
| EF1-110V | EF1 Welder Set 110V | 1 Full Kit | 13.24 | 29.18 | Orange |
| EF1-230V | EF1 Welder Set 230V | 1 Full Kit | 3.6 | 7.94 | Orange |

Cables & Transformer

| Model | Description | Pack Size | Kg | Lbs. | Colour |
|------------|--|-----------|------|------|--------------|
| EF1-PC 4MM | Welding Cable - Primary 4amp, 4mm Pins Red | 1 | 0.48 | 1.06 | Orange / Red |
| EF1-SC 2MM | Welding Cable - Secondary 5amp, 2mm Pins Green | 1 | 0.48 | 1.06 | Green |
| EF1-C7A | Welding Cable - Chamber 7amp, 4mm Pins White | 1 | 0.48 | 1.06 | White |
| EF1-PC 2MM | Welding Cable - Primary 2mm Red | 1 | 0.48 | 1.06 | Orange / Red |
| EF1-BC 4MM | Bridging Cable - Primary 4amp, 4mm Pins Red | 1 | 0.02 | 0.04 | Orange / Red |
| EW/BC/SC | Welding Cable - Secondary for E3, E4 & E7 welders only Green | 1 | 0.5 | 1.1 | Green |
| EW1/C | Welding Cable - Primary 2mm for E3, E4 & E7 welders only Red | 1 | 0.44 | 0.97 | Orange |



VACUUM TESTING

The System Integrity Testing Kit from Franklin Fueling Systems allows tightness testing of spill containers, tank access chambers and dispenser sumps to ensure air-tight seals and peace of mind. Specific testing at critical points during the installation process ensures that all components are installed correctly and that the complete installation is leak proof, preventing the need for an expensive rework.

HIGHLIGHTS

- A Vacuum test unit which can be set to indicate the relationship between the on-site water table level and the level of the tank or dispenser sumps. The pressure test setting allows for low pressure testing with an additional setting specifically for spill containers.
- 5.5 metre connection tubes between the test unit and the test lid allow the test unit to be placed outside zone 2 areas during testing.
- Transparent test lids (sold separately) with close cell foam gaskets are available in a variety of sizes. These allow full visibility of areas being tested to observe gaskets, penetration seals etc. for easy visual identification of leak points. All lids come supplied in a tough black carry bag.
- Easy to use.
- Clear and concise instructions.
- Easy to read vacuum gauge.
- Adjustable depth of test to match water table level.
- Built-in spark arrester.
- Appropriate for use on a variety of systems.
- Variety of test lids available with carry bags.

ORDERING INFORMATION

Vacuum Testing Units

| Model | Description | Weight (Kg) | Weight (Lbs.) |
|----------|--------------------------|-------------|---------------|
| VTU-110V | Vacuum Testing Unit 110V | 17.5 | 38.58 |
| VTU-230V | Vacuum Testing Unit 230V | 17.5 | 38.58 |

Chamber Test Lids

| Model | Description | Kg | Lbs. | For use with |
|--------------|--------------------------------|------|-------|--|
| VTL-560 DIA | Chamber Test Lid Assy 560 dia | 3 | 6.6 | |
| VTL-850 DIA | Chamber Test Lid Assy 850 dia | 8 | 17.63 | OCH-1400-DS, OCH-1400-SS, LA-002-001 and LA-002-002 risers |
| VTL-1200 DIA | Chamber Test Lid Assy 1200 dia | 15.5 | 34.17 | DC4830, LA-002-001 and LA-002-002 bases |
| VTL-1350 DIA | Chamber Test Lid Assy 1350 dia | 21 | 46.2 | OCH-1400-D, OCH-1400-S risers and base of any OCH-1400 chamber model |
| VTL-750X650 | Chamber Test Lid Assy 750x650 | 6 | 13.22 | ECH-760-660-D400 |
| VTL-800x800 | Sump Test Lid Assy 800x800 | 9 | 19.84 | DC4830 riser |
| VTL-1250X600 | Sump Test Lid Assy 1250x600 | 11 | 24.25 | DS4417 |
| VTL-1470X600 | Sump Test Lid Assy 1470x600 | 14 | 30.8 | DS3420, DS4620, DS3818 and DS5518 |



UPP® TOOL BOX

| Model | Description | Pack Size | Kg | Lbs. | Colour | Item Type |
|-----------------|--|------------|----|--------|--------|-----------|
| IB 1000 (EX EW) | Tool Box UPP® with Tools No Welder - please order separately | 1 Full Kit | 58 | 127.87 | Black | Misc |

Contents:

| | | |
|--|---------------|---|
| Rotary Scraper 25-110mm 1 - 4' | SCR-025-125 | 1 |
| Pipe Cutter 50 - 125mm Pipe | P.CUT | 1 |
| Cutting Wheel for P.CUT Pipe Cutter | CW1 | 1 |
| Holesaw 51mm for SB2.CO1, SB2-CO1-5, FEB-075-SC, FEB-100-D, FEB-100-SC & 302 Entry Seals | HSCS2 | 1 |
| Holesaw 102mm for 303 & FEB-300-R Entry Seals | HS3 | 1 |
| Holesaw 140mm for 305 Entry Seal | HS5 | 1 |
| Holesaw 160mm for 305-125-110 Entry Seals | HS6 | 1 |
| Holesaw 83mm for PS3 | HSP3 | 1 |
| Holesaw 168mm for PS6 | HSP6 | 1 |
| Mandrel for All Holesaws | MAN1 | 1 |
| Angled Clamp for straight & elbow joints | CLAMP (A) | 1 |
| Straight Clamp for straight joints (32 - 110mm) | CLAMP (S) | 2 |
| Clamp for UPP® Fusion Seals 302 | 302-CLAMP | 1 |
| Clamp for UPP® Fusion Seals 303 | 303-CLAMP-1 | 1 |
| Clamp for UPP® Fusion Seals 304 | 304-CLAMP | 1 |
| Clamp for UPP® Fusion Seals 305 | 305-CLAMP-1 | 1 |
| Clamp for UPP® Fusion Seals 305-125-110 | 305-EXT-CLAMP | 1 |
| Plate Spanner 62A/F 91-063 | 91-063-TOOL | 1 |
| Plate Spanner 67A/F 92-063 | 92-063-TOOL | 1 |
| Chain Wrench 125mm Pipe Max | CW-125-PIPE | 1 |
| Mallet | MAL1 | 1 |
| Flexishaft Driver | F.DRIVER | 1 |
| Hand Held Scraper 1 1/2' | SCR.HAR | 1 |
| Blades for Hand Held Scraper (8 Blades) | SCR.HAR(B) | 1 |
| Pipe Marker Pen | MARKER | 1 |
| UPP® Installation Manual | - | 1 |

UPP® TOOLS

| Model | Description | Unit | Kg | Lbs. | For Sizes |
|-------------|---|------|-----|------|--|
| 91-050-TOOL | Plate spanner tool for use with 50mm male 90 Series termination fittings | 1 | 0.8 | 1.7 | All Male 50mm sizes |
| 92-050-TOOL | Plate spanner tool for use with 50mm female 90 Series termination fittings | 1 | 0.9 | 1.9 | All Female 50mm sizes |
| 91-063-TOOL | Plate spanner tool for use with 63mm male 90 Series termination fittings | 1 | 1.1 | 2.4 | All Male 63mm sizes |
| 92-063-TOOL | Plate spanner tool for use with 63mm female 90 Series termination fittings | 1 | 1.2 | 2.6 | All Female 63mm sizes |
| CW-125-PIPE | Chain wrench tool for use with male and female 90mm and 110mm sizes, 125mm Pipe Max | 1 | 1.2 | 2.6 | All Male and Female 90mm and 110mm sizes |



| Model | Description | Unit | Kg | Lbs. | Material |
|-------------|-------------------------------------|------|-------|------|-------------------|
| P.CUT SMALL | UPP® Pipe Cutter 32 - 50mm | 1 | 0.76 | 1.68 | Aluminium & Steel |
| CW2 | Cutting Wheel for P.CUT SMALL | 1 | 0.005 | 0.01 | Steel |
| P.CUT | UPP® Pipe Cutter 50 - 125mm | 1 | 1.84 | 4.05 | Aluminium & Steel |
| P.CUT MED | UPP® Pipe Cutter 110 -160mm | 1 | 2.19 | 4.82 | Aluminium & Steel |
| CW1 | Cutting Wheel for P.CUT & P.CUT MED | 1 | 0.016 | 0.04 | Steel |



| Model | Description |
|--------|--|
| RS-32 | 32mm (1" primary) pipe scraper tool |
| RS-40 | 40mm (1" secondary) pipe scraper tool |
| RS-50 | 50mm (1½" primary) pipe scraper tool |
| RS-63 | 63mm (2" primary or 1½" secondary) pipe scraper tool |
| RS-75 | 75mm (2" secondary) pipe scraper tool |
| RS-90 | 90mm (3" primary) pipe scraper tool |
| RS-110 | 110mm (4" primary or 3" secondary) pipe scraper tool |
| RS-125 | 125mm (4" secondary) pipe scraper tool |
| RS-160 | 160mm (6" secondary) pipe scraper tool |



| Model | Description | Unit | Kg | Lbs. | Material |
|-------------------|---|------|------|------|-------------------|
| SCR-025-125 | UPP® Rotary Scraper 25-110mm 1" - 4" | 1 | 1.48 | 3.26 | Aluminium & Steel |
| SCR-090-225 | UPP® Rotary Scraper 90-225mm 3" - 9" | 1 | 3.57 | 7.87 | Aluminium & Steel |
| SCR-BLADE-025-225 | UPP® Rotary Scraper Spare Blade 1" - 9" | 1 | 0.01 | 0.02 | Steel |



| Model | Description | Unit | Kg | Lbs. | Material |
|------------|-------------------------------|------|------|------|-----------------|
| SCR.HAR | UPP® Hand Scraper | 1 | 0.08 | 0.18 | Plastic & Steel |
| SCR.HAR(B) | Blades for SCR.HAR (8 Blades) | 2 | 0.04 | 0.09 | Steel |



| Model | Description | Pack Size | Weight (Kg) | Weight (Lbs.) |
|----------------|---|-----------|-------------|---------------|
| SCR.K(1) | Scraper Kit for Legacy UPP® 50/63/90/110mm | 1 | 4.98 | 10.98 |
| SCR.B | Replacement Blade for SCR.K(1) Shallow Cut | 1 | 0.014 | 0.03 |
| SCR.K(1)-E | Scraper Kit for current UPP® 50/63/90/110mm | 1 | 4.98 | 10.98 |
| SCR.K(1) SHAFT | Drive Shaft for UPP® SCR.K(1) | 1 | 0.232 | 0.51 |
| SCR.M110-FILL | Scraper Mandrill for 110mm FILLPIPE | 1 | 1.14 | 2.5 |
| MDR.K-E | Mandrill Kit for Legacy Scraper | 1 | 3 | 6.61 |
| MDR.063-E | Mandrel for 63mm Pipe (SDR13.6) | 1 | 0.48 | 1.1 |
| MDR.090-E | Mandrel for 90mm Pipe (SDR13.6) | 1 | 0.77 | 1.7 |
| MDR.110-E | Mandrel for 110mm Pipe (SDR13.6) | 1 | 1.09 | 2.4 |



TOOLS

| Model | Description | Unit | Kg | Lbs. | Material |
|---------------|---|------|------|------|----------|
| CLAMP (S) | UPP® Pipe Clamp - Straight 32 - 110mm | 1 | 1.98 | 4.37 | Metal |
| CLAMP (A) | UPP® Pipe Clamp - Angled 32 - 110mm | 1 | 2.57 | 5.67 | Metal |
| 302-CLAMP | Clamp for UPP® Fusion Seals 302 | 1 | 0.61 | 1.34 | Steel |
| 303-CLAMP-1 | Clamp for UPP® Fusion Seals 303 | 1 | 1.6 | 3.53 | Steel |
| 304-CLAMP | Clamp for UPP® Fusion Seals 304 | 1 | 1.94 | 4.28 | Steel |
| 305-CLAMP-1 | Clamp for UPP® Fusion Seals 305 | 1 | 1.74 | 3.84 | Steel |
| 305-EXT-CLAMP | Clamp for UPP® Fusion Seals 305-125-110 | 1 | 2.19 | 4.83 | Steel |
| 308-CLAMP | Clamp for UPP® Fusion Seals 308 | 1 | 2.22 | 4.89 | Steel |



| Model | Description | Unit | Kg | Lbs. | Material |
|-------------|--|------|------|------|-------------------|
| TH50 | Towing Head for UPP® Primary Pipe 50mm | 1 | 0.96 | 2.12 | Aluminium & Steel |
| TH63SC | Mud Tight Towing Head for UPP® SC Pipe 63x50mm | 1 | 1.82 | 4.01 | Aluminium & Steel |
| TH75SC | Mud Tight Towing Head for UPP® SC Pipe 75x63mm | 1 | 2.92 | 6.44 | Aluminium & Steel |
| TH50-SDR8 | Towing Head for UPP® UL & EN Pipe 50mm | 1 | 0.62 | 1.37 | Aluminium & Steel |
| TH63SC-SDR8 | Towing Head for UPP® UL & EN Pipe 63mm | 1 | 1.49 | 3.28 | Aluminium & Steel |



| Model | Description | Unit | Kg | Lbs. | Material |
|-------|---|------|------|------|----------|
| MAN1 | Mandrill for all Holesaws | 1 | 0.22 | 0.49 | Steel |
| HSCS2 | Holesaw 51mm for FEB-075-SC, FEB-100-D, FEB-100-SC & 302 Entry Seals | 1 | 0.12 | 0.26 | Steel |
| HSP3 | Holesaw 83mm for PS3, FEB-150-D, FEB-175-SC, FEB-200-D & FEB-200-SC Entry Seals | 1 | 0.25 | 0.55 | Steel |
| HS 3 | Holesaw 102mm for 303 & FEB-300-R Entry Seals | 1 | 0.4 | 0.88 | Steel |
| HS075 | Holesaw 105mm for FEB-D-075-1 Entry Seal | 1 | 0.46 | 1.01 | Steel |
| HS 5 | Holesaw 140mm for FEB-400-R, FEB-400-F, FEB-D-110-1 & 305 Entry Seals | 1 | 0.76 | 1.68 | Steel |
| HS 6 | Holesaw 160mm for 305-125-110 Entry Seals | 1 | 0.87 | 1.92 | Steel |
| HSP6 | Holesaw 168mm for PS6 Entry Seals | 1 | 0.9 | 1.98 | Steel |
| HS 8 | Holesaw 210mm for 308's Entry Seals | 1 | 1.36 | 3 | Steel |



| Model | Description | Unit | Kg | Lbs. | Material |
|--------------|---|------|--------|---------|--------------------|
| MAL1 | Wooden Mallet | 1 | 0.22 | 0.49 | Wood |
| MARKER | Pipe Marker | 1 | 0.02 | 0.04 | Marker Pen |
| F.DRIVER | Flexishaft Driver for band clamps - 8mm | 1 | 0.148 | 0.33 | Plastic & metal |
| D/TAPE | UPP® Warning Tape - 100m roll | 100m | 0.02/m | 0.04/ft | PE/Stainless Steel |
| EMERY | Emery Cloth 50 Metre Roll ONLY | 1 | -- | -- | -- |
| FEB-110-TOOL | GRP Entry Fitting Wrench 125mm | 1 | 0.32 | 0.71 | -- |

Seal / Holesaw / Clamp Matrix

| Seal Code | Holesaw | Diameter (mm) | Diameter (inches) | Clamp | Clamp Colour |
|----------------|---------|---------------|-------------------|------------------------|--------------|
| 302-040 | HSCS2 | 51 | 2 | 302-CLAMP | Orange |
| 303-050-EIF | HS3 | 102 | 4 | 303-CLAMP/ 303-CLAMP-1 | Blue |
| 303-063-EIF | HS3 | 102 | 4 | 303-CLAMP/ 303-CLAMP-1 | Blue |
| 303-075-EIF | HS3 | 102 | 4 | 303-CLAMP-1 | Blue |
| 304-110-050-TP | HS5 | 140 | 5½ | 304-CLAMP | Yellow |
| 304-110-063-TP | HS5 | 140 | 5½ | 304-CLAMP | Yellow |
| 304-110-075-TP | HS5 | 140 | 5½ | 304-CLAMP | Yellow |
| 304-110-090 | HS5 | 140 | 5½ | 304-CLAMP | Yellow |
| 304-110-090-TP | HS5 | 140 | 5½ | 304-CLAMP | Yellow |
| 305 | HS5 | 140 | 5½ | 305-CLAMP-1 | Green |
| 305-R-1 | HS5 | 140 | 5½ | 305-CLAMP-1 | Green |
| 305-125-110 | HS6 | 160 | 6 5/16 | 305-EXT-CLAMP | Red |
| 305-125-110-TP | HS6 | 160 | 6 5/16 | 305-EXT-CLAMP | Red |
| 308 | HS8 | 210 | 8 ¼ | 308-CLAMP | Silver |
| 308-R | HS8 | 210 | 8 ¼ | 308-CLAMP | Silver |

| | | | |
|-------------|-------|-----|-------|
| PS3 | HSP3 | 83 | 3¾ |
| PS6 | HSP6 | 168 | 6 5/8 |
| FEB-D-075-1 | HS075 | 105 | 41/8 |
| FEB-D-110-1 | HS5 | 140 | 5½ |
| FEB-S-125 | HS5 | 140 | 5½ |



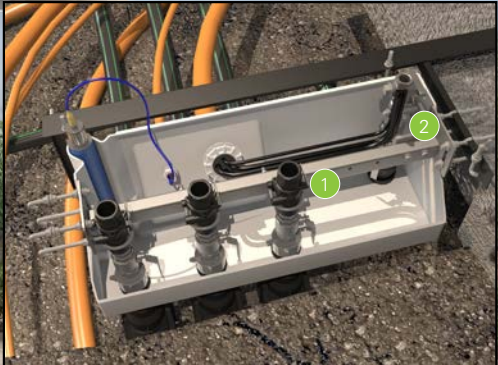
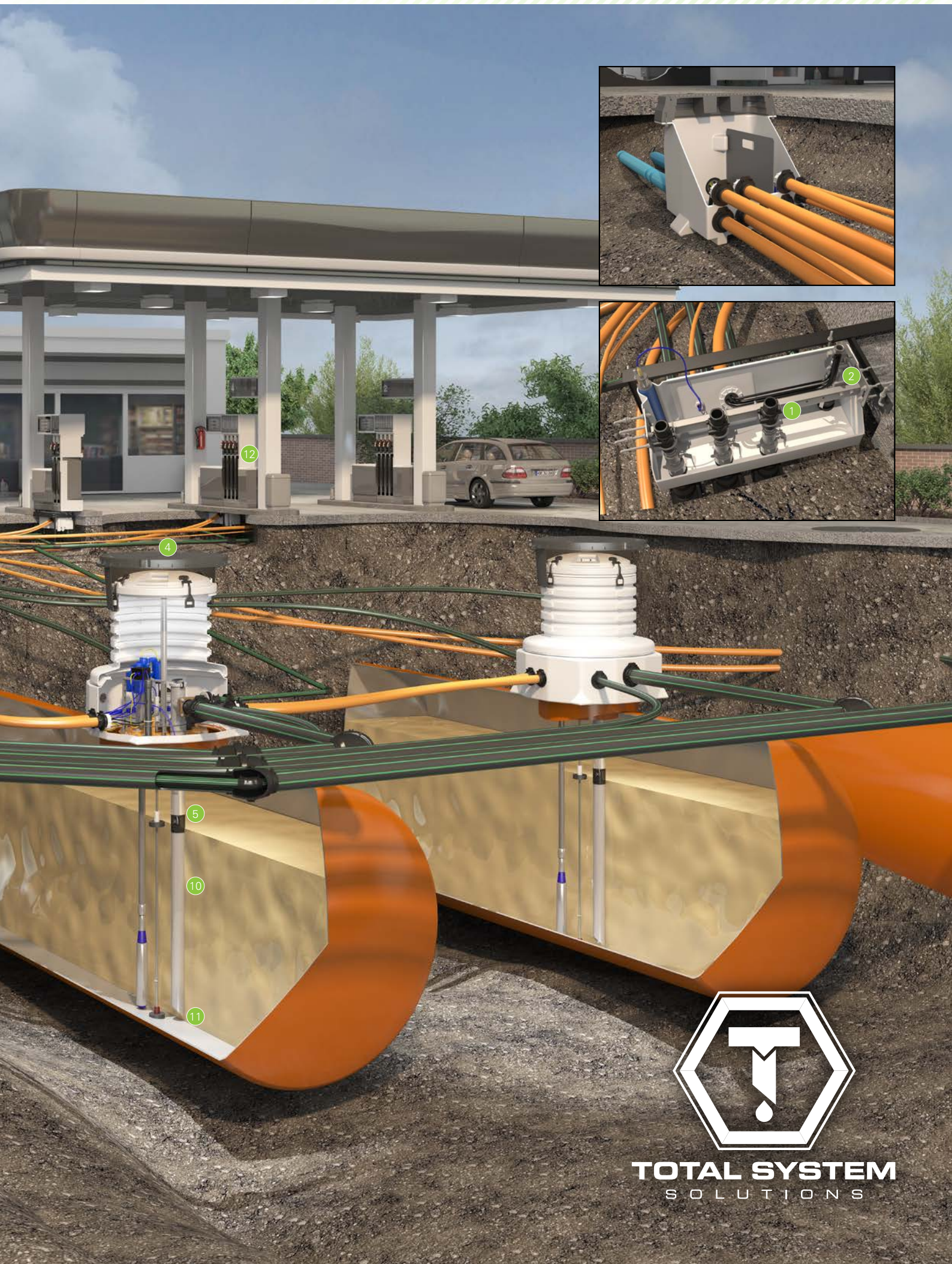
| Seal Code | Holesaw | Diameter (mm) | Diameter (inches) |
|------------|---------|---------------|-------------------|
| FEB-075-SC | HSCS2 | 51 | 2 |
| FEB-100-D | HSCS2 | 51 | 2 |
| FEB-100-SC | HSCS2 | 51 | 2 |
| FEB-150-D | HSP3 | 83 | 3½ |
| FEB-175-SC | HSP3 | 83 | 3½ |
| FEB-200-D | HSP3 | 83 | 3½ |
| FEB-200-SC | HSP3 | 83 | 3½ |
| FEB-300-R | HS3 | 102 | 4 |
| FEB-400-R | HS5 | 140 | 5½ |
| FEB-400-F | HS5 | 140 | 5½ |



SERVICE STATION HARDWARE

- 1 Product shear valves
- 2 Vapor shear valves
- 3 Defender Series™ single and double wall vapor spill containers without drain (mechanical or sensor monitored)
- 4 Access covers
- 5 Defender Series™ overfill prevention valves
- 6 Vapor recovery caps
- 7 Vapor recovery swivel adapter
- 8 Fill caps
- 9 Fill swivel adapter
- 10 Drop tubes
- 11 Tank bottom protectors
- 12 Safety sever breakaways





SERVICE STATION HARDWARE

Our service station hardware product line provides the most comprehensive and environmentally friendly system of tank trim and hardware available. Biofuel system components ensure compatibility with evolving fuel needs while the large breadth of products provides the right solution for any application.



HIGHLIGHTS

Complete Package

Get each hardware system component from a single manufacturer that is known throughout the world for providing quality products.



Biofuel Compatible

As renewable fuel regulations continue to expand, customer demand for biofuel compatible equipment continues to increase. Franklin provides a solid biofuel compatible offering of hardware and is committed to the continuous improvement of product designs to allow for compatibility.



Spill Containment

A wide array of spill containment products designed and manufactured to the highest standard to ensure total protection where you need it the most. Whether you need single wall or double wall, manual or electronic interstitial monitoring, Franklin has the solution.





300 4" VAPOUR CHECK VALVE ADAPTER

The vapour check valve adapter permits coupling to the vapour return line from the underground tank in dual point systems. The poppet design seals off the vapour path when not coupled.

HIGHLIGHTS

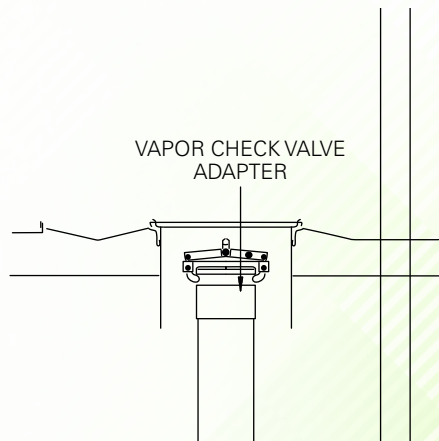
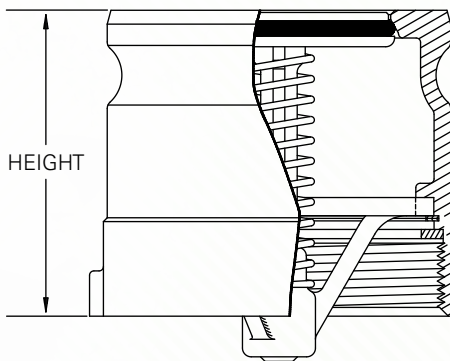
- Body constructed of anodised aluminium or brass.
- Fits all 4" vapour recovery elbows.

ORDERING INFORMATION

| Model | Hose Size | Riser Thread | Height | | Body Material | Weight | |
|-----------|-----------|--------------|--------|------|--------------------|--------|------|
| | | | mm | In. | | Kg | Lbs. |
| 30030001 | 4" | 3" NPSM | 139 | 5.44 | Anodised aluminium | 1.95 | 4.3 |
| 30030031* | 4" | 3" BSPP | 139 | 5.44 | Anodised aluminium | 1.95 | 4.3 |
| 30021001 | 4" | 4" NPSM | 107 | 4.19 | Anodised aluminium | 1.95 | 4.3 |
| 30021031* | 4" | 4" BSPP | 107 | 4.19 | Anodised aluminium | 1.95 | 4.3 |

| Model | Description |
|----------|----------------------------------|
| 77020102 | 3" replacement gasket for 300300 |
| 77020103 | 4" replacement gasket for 300210 |

* BSPP thread on the 30030031 and 30021031, NPSM thread on others.



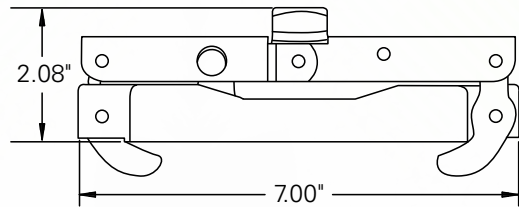


304 4" VAPOUR ADAPTER CAP

The vapour cap secures the vapour check valve preventing dust and debris buildup. It also protects the vapour poppet of a dual point fill system. Orange in colour to indicate vapour recovery lines and lockable to prevent misuse, our vapour cap fits all 4" male quick couplings. The cam action creates a solid push down and pull up movement for fast, easy removal and replacement of cap.

HIGHLIGHTS

- Two body styles to choose from, glass-filled nylon or epoxy coated aluminium.
- Padlock capability.
- Iron-copper infiltrated 4" cams.
- Corrosion-resistant steel hatches.
- Orange body for easy identification.



304-200-01

ORDERING INFORMATION

| Model | Material | Weight | |
|----------|------------------|--------|------|
| | | Kg | Lbs. |
| 30420002 | Glass filled PBT | 0.53 | 1.19 |
| 30430103 | Aluminium, AGB | 0.63 | 1.38 |

| Model | Description |
|----------|---------------------------------|
| 95021501 | Replacement gasket for 30430101 |



306 4" COAXIAL ADAPTERS

The EBW® coaxial vapour recovery adapter provides an inexpensive way to convert conventional underground storage tank fill risers to coaxial vapour recovery for Stage I vapour recovery requirements where the cap can remain on the adapter during vapour testing. When used in conjunction with EBW® coaxial drop tubes, the coaxial vapour recovery adapter allows product to flow through the centre while vapours escape around the edge of the drop tube back to the delivery truck.

HIGHLIGHTS

- Constructed of hard coated aluminium.
- Set screw on the adapter prevents movement on the riser pipe ensuring a tight seal.
- Bodies constructed of hard-coat anodized aluminium for compatibility with E-85 and Biodiesel.

ORDERING INFORMATION

| Model | Material | Weight | |
|-----------|-------------------------------------|--------|------|
| | | Kg | Lbs. |
| 30630001 | Non-Poppeted Coax V.R. Adaptor-NPT | 1.52 | 0.69 |
| 30630021 | Non-Poppeted Coax V.R. Adaptor-BSPT | 1.59 | 0.69 |
| 708335901 | Poppeted Coax V.R. Adaptor | 3.3 | 1.5 |
| 708336901 | Poppeted Coax & Drop Tube Kit | Call | Call |

708335901 Poppeted Coaxial Vapour Recovery Adaptor must use 708332901 Drop Tube.





308 BALL FLOAT VENT VALVES

The EBW® ball float vent valves are used in conjunction with extractor vent valves in the Stage I vapour riser or tank vent line on underground storage tanks. The ball float vent valve will restrict vapour venting should a full tank condition occur and protects against product mixing and vapour locks due to vent pipe flooding. The bleed hole allows for delivery hose drainage after an overflow.

EBW® 3" ball float vent valves are designed to comply with the California Enhanced Vapour Recovery program CP-201 requirements for 3" nominal vapour return piping. The valve includes a brass installation cage and will fit all EBW® extractor vent fittings. All ball floats are made of materials fully compatible with alcohol/gas blends and biofuels (E-85, Biodiesel, B-20)

HIGHLIGHTS

2" Ball Float Advantages

- Epoxy coated steel nipple to prevent dissimilar metals from contacting each other.
- Stainless steel ball float is corrosion-resistant for long life.

3" Ball Float Advantages

- Both 2" and 3" now include E-coated steel installation cage.
- Stainless steel ball float is corrosion-resistant for long life.

SPECIFICATIONS

WARNING: EBW® 308 Series float vents should not be used with suction pump systems. For use on gravity drop systems only. Do not use with pump-off unloading. Do not use with coaxial Stage I vapour recovery drop tubes.

ORDERING INFORMATION

2" Ball Floats

| Model | Nipple Length | | Bleed Hole | | Thread |
|------------|---------------|--------|------------|-------|--------|
| | In. | mm | In. | mm | |
| 308020003 | 3 | 76.2 | 0.06 | 1.524 | NPT |
| 308020205 | 5.12 | 130.04 | 0.06 | 1.524 | NPT |
| 308020107 | 7 | 177.8 | 0.06 | 1.524 | NPT |
| 308020112 | 12 | 304.8 | 0.06 | 1.524 | NPT |
| 308020116 | 16 | 406.4 | 0.06 | 1.524 | NPT |
| 308023003 | 3 | 76.2 | 0.06 | 1.524 | BSPT |
| 308023107 | 7 | 177.8 | 0.06 | 1.524 | BSPT |
| 308023112 | 12 | 304.8 | 0.06 | 1.524 | BSPT |
| 308023116 | 16 | 406.4 | 0.06 | 1.524 | BSPT |
| 308024115 | 15 | 381 | 0.06 | 1.524 | BSPT |
| 3080241117 | 17 | 431.8 | 0.06 | 1.524 | BSPT |
| 308024119* | 19 | 482.6 | 0.06 | 1.524 | BSPT |

*Does not include Installation Cage.

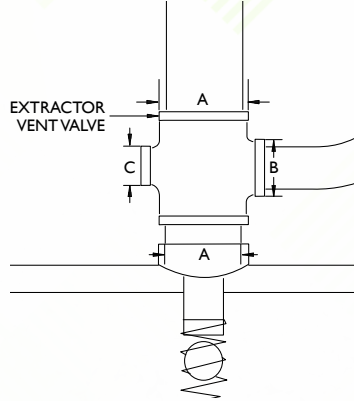
3" Ball Floats

| Model | Nippel Length | | Bleed Hole | | Thread |
|-----------|---------------|-------|------------|------|--------|
| | In. | mm | In. | mm | |
| 308030005 | 5 | 127 | 0.06 | 1.52 | NPT |
| 308030011 | 11 | 279.4 | 0.06 | 1.52 | NPT |
| 308030012 | 12 | 304.8 | 0.06 | 1.52 | NPT |
| 308030014 | 14 | 355.6 | 0.06 | 1.52 | NPT |
| 308030018 | 18 | 457.2 | 0.06 | 1.52 | NPT |
| 308030021 | 21 | 533.4 | 0.06 | 1.52 | NPT |

ORDERING INFORMATION CONTINUED

Installation Cages

| Model | Size | | Thread |
|----------|------|------|--------|
| | In. | mm | |
| 30822802 | 2 | 50.8 | NPT |
| 30822803 | 3 | 76.2 | NPT |



300 SERIES EXTRACTOR VENT VALVES

EBW extractor vent valves are designed to fit into a 4" tank opening on an underground storage tank. Several outlet sizes are available to accommodate manifolded tank lines and Stage II vapor recovery installations.

HIGHLIGHTS

- E-coated bodies are fully compatible for alcohol/gas blends and Biodiesel.

| Model | Description 4" X A X B | A | | B | | C | | Weight | |
|----------|---|------|--------|------|-------|------|-------|--------|------|
| | | In | mm | In | mm | In | mm | Lbs | Kg |
| 31040011 | 4" x 2" extractor valve w/o adaptor-NPT | 4.00 | 102.00 | 2.00 | 51.00 | n/a | n/a | 13.00 | 5.90 |
| 31140011 | 4" x 3" extractor valve w/o adaptor-NPT | 4.00 | 102.00 | 3.00 | 76.00 | n/a | n/a | 13.00 | 5.90 |
| 33040011 | 4" x 3" x 2" extractor valve w/o adaptor-NPT | 4.00 | 102.00 | 3.00 | 76.00 | 2.00 | 51.00 | 18.00 | 8.16 |
| 33140011 | 4" x 3" x 3" extractor valve w/o adaptor-NPT | 4.00 | 102.00 | 3.00 | 76.00 | 3.00 | 76.00 | 15.00 | 6.80 |
| 34040011 | 4" x 2" x 2" extractor valve w/o adaptor-NPT | 4.00 | 102.00 | 2.00 | 51.00 | 2.00 | 51.00 | 17.00 | 7.71 |
| 34040041 | 4" x 2" x 2" extractor valve w/o adaptor-BSPP | 4.00 | 102.00 | 2.00 | 51.00 | 2.00 | 51.00 | 17.00 | 7.71 |
| 31040042 | 4" x 2" extractor valve w/o adaptor-BSPT | 4.00 | 102.00 | 2.00 | 51.00 | n/a | n/a | 13.00 | 5.90 |
| 31140042 | 4" x 3" extractor valve w/o adaptor-BSPT | 4.00 | 102.00 | 3.00 | 76.00 | n/a | n/a | 13.00 | 5.90 |
| 33040042 | 4" x 3" x 2" extractor valve w/o adaptor-BST | 4.00 | 102.00 | 3.00 | 76.00 | 2.00 | 51.00 | 18.00 | 8.16 |

Extractor Vent Valve Accessories

HARD COATED ALUMINUM PLUG WITH O-RING SEAL

Plug used for isolating vent piping from tank during testing.

| Model | Description | Weight | |
|----------|--------------|--------|------|
| | | Lbs | Kg |
| 39120101 | 4" test plug | 3.60 | 1.63 |



ADAPTORS, FOR USE WITH EBW BALL FLOATS

| Model | Description | Weight | |
|----------|-------------------------|--------|------|
| | | Lbs | Kg |
| 30822802 | ADPT 2" NPT, AGB, spare | 1.15 | 0.52 |
| 30822803 | ADPT 3" NPT, AGB, spare | 1.65 | 0.75 |

5' EXTRACTOR WRENCH

Five-foot extractor wrench works on all EBW extractor vent valves for removing extractor cage assemblies and inserting test plugs.

| Model | Description | Weight | |
|----------|---------------------|--------|------|
| | | Lbs | Kg |
| 32110001 | 5' extractor wrench | 14.00 | 6.35 |

4" BRASS PIPE CAP

| Model | Description | Weight | |
|----------|-------------|--------|------|
| | | Lbs | Kg |
| 76020101 | NPT | 4.60 | 2.09 |





305 3" FLOAT VENT VALVES

Model

30530521

Description

3" x 3" x 2" BSPT for manifolded vents SS ball. Aluminium



362 SERIES VAPOUR SHEAR VALVE

The EBW® 362 vapour shear valve is designed for use as an emergency breakaway on Stage II vapour recovery lines in fuel dispensers. The double poppet design allows spring-loaded poppets inside the valve to seal vapours within both the dispenser riser and vapour piping in the event of dispenser displacement, providing maximum environmental protection.

HIGHLIGHTS

- Dual poppets seal vapours in dispenser riser and in vapour line for maximum environmental protection.
- One 1" test port and two 3/8" test ports eliminate extra T-joints in vapour line which reduces potential leak points and provides more flexibility for Stage II vapour recovery installation.
- Durable zinc plated body is resistant to corrosion.
- Standard U-bolt and boss mount allow for quick and easy installation.
- Base thread includes 1-1/2" female.
- California State Fire Marshal approved.

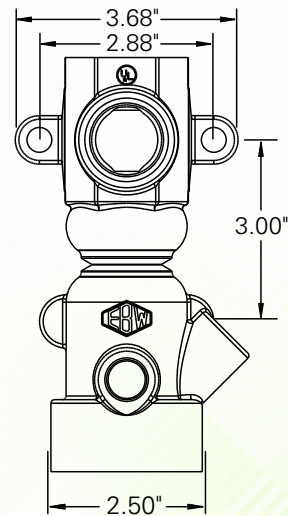
ORDERING INFORMATION

| Model | Description |
|----------|--|
| 36220603 | 1" x 1-1/2" NPT thread vapour shear valve |
| 36220621 | 1" x 1-1/2" BSPT thread vapour shear valve |

Note: When not using FFS Stabiliser Bar Kits with Vapour Shear Valves, the Vapour Shear Fastener Kit will also need to be included on the order. The Vapour Shear Fastener Kit comes with hex-head bolts.

| Model | Description |
|-------|---------------------------|
| 90069 | Vapour Shear Fastener Kit |

Vapour Shear Fastener Kit is needed when used with non-FFS Stabiliser Bars





662 SERIES PRODUCT SHEAR VALVE

EBW® brand emergency shear valves immediately stop product flow in the event of fire or collision at the dispenser. A patented adapter shears clean upon impact, causing the poppet to seal on the valve body preventing fuel spillage. When fire occurs, a fusible link releases the fulcrum arm, engaging the poppet. Standard 1-1/2" NPT openings allow minimal flow restriction and a pre-drilled test plug is included for line pressure testing. The valve can be boss or U-bolt mounted. Easy-to-replace adapters slide on and off valve base without lifting the dispenser. Adapters are available in male, female or union connections. Single poppet models stop product flow from the pump. Double poppet models stop flow from the pump and dispenser piping.

HIGHLIGHTS

- Fusible link closes poppet in the event of a fire (165.0 °F and 73.9 °C).
- Single and double poppet.
- Main poppet seals in valve body, preventing accidents when replacing adapters.
- E-coated body corrosion protection.
- Meets NFPA 30A requirements.
- AGB compatible (E-85, gasoline and Biodiesel.)
- UL 842A and UL 842B approved for E-85 alcohol/gas blends and biodiesel.

ORDERING INFORMATION

| Model | Description |
|-----------|---|
| 662500901 | Single poppet, union, 1½" NPT, E-coat AGB |
| 662500902 | Single poppet, female, 1½" NPT, E-coat AGB |
| 662500903 | Single poppet, male, 1½" NPT, E-coat AGB |
| 662510902 | Single poppet, female, 1½" BSPT, E-coat AGB |
| 662510903 | Single poppet, male, 1½" BSPT, E-coat AGB |
| 662501901 | Double poppet, union, 1½" NPT, E-coat AGB |
| 662501902 | Double poppet, female, 1½" NPT, E-coat AGB |
| 662501903 | Double poppet, male, 1½" NPT, E-coat AGB |
| 662511902 | Double poppet, female, 1½" BSPT, E-coat AGB |
| 662511903 | Double poppet, male, 1½" BSPT, E-coat AGB |
| 662502902 | Double poppet, normally closed, female, 1½" NPT, E-coat AGB |

662502902 is UL listed only.

SPECIFICATIONS

- Top and body material: E-coat cast iron
- Poppet and O-ring: Fluorocarbon
- Stem and poppet spring: Stainless steel
- The closing feature of an automatic shut-off valve must be checked at least once per year by manually tripping and holding linkage.

Approvals

- UL and ULC listed
- UL 842 A&B approved for ethanol and biodiesel
- ATEX approved, SIRA 13ATEX9035U

Note: The closing feature of an automatic shut-off valve must be checked at least once per year by manually tripping and holding linkage.

NFPA-WARNING

Annually test auto shut-off. Electrical supply to the submersible pump must always be disconnected before servicing meters, dispensers or emergency shut-off valves. Do not apply more than 50 psi to valve with poppet in its closed position. Valve seat and disc damage may occur.

EMERGENCY SHUT-OFF VALVE ACCESSORIES

Holds the single or double poppet shut-off valve rigidly in place, ensuring proper shearing.

| Model | Description | Weight | |
|----------|-------------|--------|------|
| | | Lbs. | Kg |
| 66213801 | U-bolt kit | 0.3 | 0.14 |

| Model | Description | Weight | |
|----------|-----------------------|--------|------|
| | | Lbs. | Kg |
| 90074 | Fulcrum arm kit | 0.1 | 0.05 |
| 66225001 | Fusible link assembly | 0.1 | 0.05 |

EMERGENCY SHUT-OFF VALVE REPLACEMENT TOPS

| Model | Description | Poppet | Shear Valve Adapter Used | Thread |
|-----------|----------------------------------|--------|--------------------------|--------|
| 662500202 | Shear Valve Top Female 1.5" NPT | Single | 662500902 | NPT |
| 662510202 | Shear Valve Top Female 1.5" BSPT | Single | 662510902 | BSPT |

| Model | Description | Poppet | Shear Valve Adapter Used | Thread |
|-----------|--------------------------------|--------|--------------------------|--------|
| 662500203 | Shear Valve Top Male 1.5" NPT | Single | 662500903 | NPT |
| 662510203 | Shear Valve Top Male 1.5" BSPT | Single | 662510903 | BSPT |



FILL SWIVEL ADAPTERS

The fill swivel adapter helps prevent leaks caused by constant fill delivery elbow movement on the riser adapter. The top section rotates during normal deliveries, preventing the bottom section from loosening on the riser pipe which could cause a vapor or product leak around the adapter.

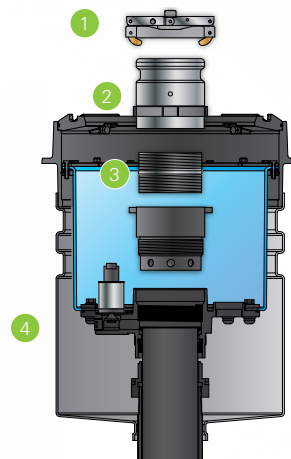
HIGHLIGHTS

- Adds approximately 4" to riser height to fit under most existing fill and vapor manway covers.
- Swivels on two rows of corrosion-resistant chromium steel ball bearings for long life in high volume stations.
- All vapor seals are fluorocarbon and inert in motor fuels.
- Stainless steel models provide additional fuel compatibility and are CARB Phase I EVR approved under executive order VR-101.
- Available in packages including fill and vapor adapter.
- Available in kits including riser, cap, and swivel adapter.

SPECIFICATIONS

Components

- 1 Cap
- 2 Swivel adapter
- 3 Riser nipple
- 4 Spill container



ORDERING INFORMATION

Fill Swivel Adapters



| Model | Description |
|--------------|--|
| SWF-100-SS** | Fill swivel adapter, 4" NPT, stainless steel |
| SWF-100-B* | Fill swivel adapter, 4" NPT, brass |
| SWFV-PKGSS** | Vapor and fill swivel adapter kit, 4" NPT, stainless steel |
| SWFV-PKG* | Vapor and fill swivel adapter kit, 4" NPT, brass |
| 85039 | Replacement gasket for all swivel adapters |

*EVR Phase 1 Certification VR-101.

**EVR Phase 1 Certification VR-101 for gas and E85.

Fill Swivel Adapter Kits

Be sure to select the appropriate kit for your specific spill container type.



| Model | Description |
|----------|---|
| 70541202 | Fill swivel adapter kit for 5 gallon Defender Series® (grade level and below grade level) and EBW® Series (grade level) spill containers, includes stainless steel fill swivel adapter, 3" riser nipple, vapor top cap. |
| 70541201 | Fill swivel adapter kit for 5 gallon PHIL-TITE™ and EBW® Series (below grade) spill containers, includes stainless steel fill swivel adapter, 5" riser nipple, vapor top cap. |
| 70541203 | Fill swivel adapter kit for 15 gallon EBW® Series (below grade) spill containers, includes stainless steel fill swivel adapter, 12" riser nipple, vapor top cap. |



VAPOR SWIVEL ADAPTERS

The vapor swivel adapter helps prevent leaks caused by constant delivery elbow movement on the riser adapter. The top section rotates during normal deliveries, preventing the bottom section from loosening on the riser pipe which could cause a vapor or product leak around the adapter. It's poppet design seals off the vapor path when not coupled.

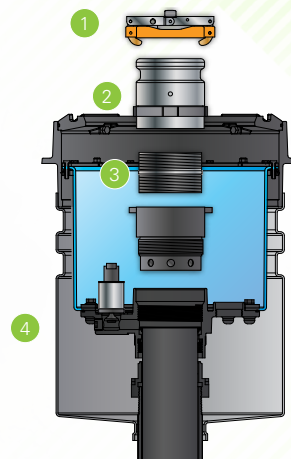
HIGHLIGHTS

- Adds approximately 4" to riser height to fit under most existing fill and vapor manway covers.
- Swivels on two rows of corrosion-resistant chromium steel ball bearings for long life in high volume stations.
- All vapor seals are fluorocarbon and inert in motor fuels.
- Stainless steel models provide additional fuel compatibility and are CARB Phase I EVR approved under executive order VR-101.
- Available in packages including vapor and fill adapter.
- Available in kits including riser, cap, and swivel adapter.

SPECIFICATIONS

Components

- 1 Cap
- 2 Swivel adapter
- 3 Riser nipple
- 4 Spill container



ORDERING INFORMATION

Vapor Swivel Adapters



| Model | Description |
|--------------|--|
| SWV-100-SS** | Vapor swivel adapter, 4" NPT, stainless steel |
| SWV-100-B* | Vapor swivel adapter, 4" NPT, brass |
| SWFV-PKGSS** | Vapor and fill swivel adapter kit, 4" NPT, stainless steel |
| SWFV-PKG* | Vapor and fill swivel adapter kit, 4" NPT, brass |
| 85039 | Replacement gasket for all swivel adapters |

*EVR Phase 1 Certification VR-101.

**EVR Phase 1 Certification VR-101 for gas and E85.

Vapor Swivel Adapter Kits

Be sure to select the appropriate kit for your specific spill container type.



| Model | Description |
|----------|---|
| 70541302 | Vapor swivel adapter kit for 5 gallon Defender Series® (grade level and below grade level) and EBW® Series (grade level) spill containers, includes stainless steel vapor swivel adapter, 3" riser nipple, vapor top cap. |
| 70541301 | Vapor swivel adapter kit for 5 gallon PHIL-TITE™ and EBW® Series (below grade) spill containers, includes stainless steel vapor swivel adapter, 5" riser nipple, vapor top cap. |
| 70541303 | Vapor swivel adapter kit for 15 gallon EBW® Series (below grade) spill containers, includes stainless steel vapor swivel adapter, 12" riser nipple, vapor top cap. |



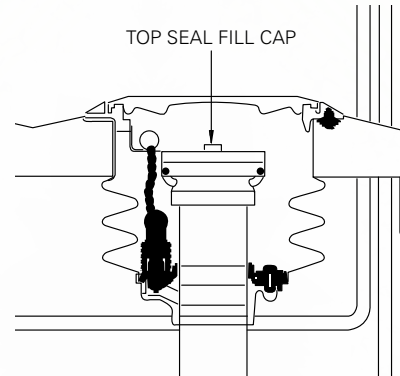
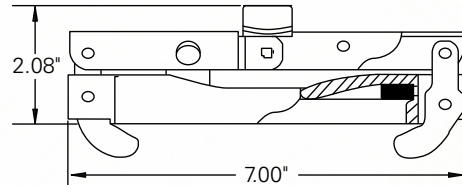


777 4" TOP SEAL FILL CAPS

EBW top seal fill caps are used to prevent vapours from escaping the fill riser pipe on the underground storage tank when it is not being filled. The geometry of the linkage provides self-centring characteristics for dependable sealing. The easy-to-operate T-handle provides a convenient method of removal and replacement — simply pull to remove and push to replace.

HIGHLIGHTS

- Glass-filled nylon and aluminium body styles available.
- Stainless steel latches.
- Padlock capability.
- Form fitting replaceable gasket, molds itself to the contour of the adapter to form a positive seal for added protection.



ORDERING INFORMATION

| Model | Description | Weight | |
|-----------|---------------------------------------|--------|------|
| | | Kg | Lbs. |
| 77720102* | Fill Cap 4" glass-filled PBT | 0.45 | 1 |
| 777201901 | Fill Cap 4" glass-filled PBT, 20 pack | -- | -- |
| 95021501 | Fill Cap Replacement Gasket 4" | -- | -- |

* Biofuel approved model (E85 and biodiesel), CARB: Phase 1 Certification VR-101.
 Note: 77720102 replaces 77720101

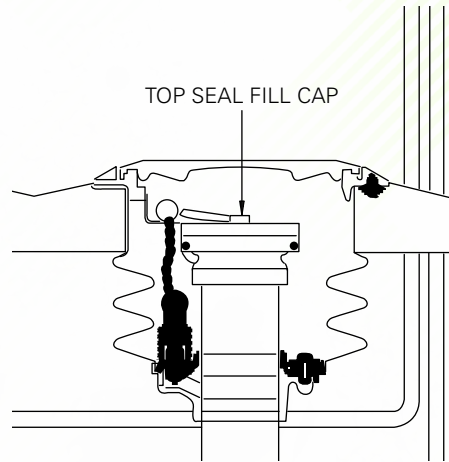
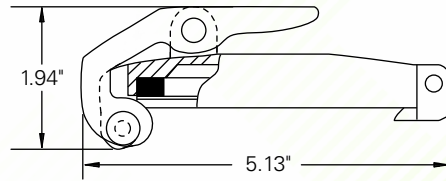


779 3" TOP SEAL FILL CAPS

This durable 3" top seal single lever cap provides a tight positive seal on all 3" adapters.

HIGHLIGHTS

- Extruded brass cam arm.
- Cap body made of corrosion-resistant epoxy coated aluminium.



ORDERING INFORMATION

| Model | Description | Weight | |
|----------|---------------------------|--------|------|
| | | Lbs. | Kg |
| 77920001 | 3" top seal fill cap | 1 | 0.45 |
| Model | Description | | |
| 77420203 | Replacement Buna-N gasket | | |



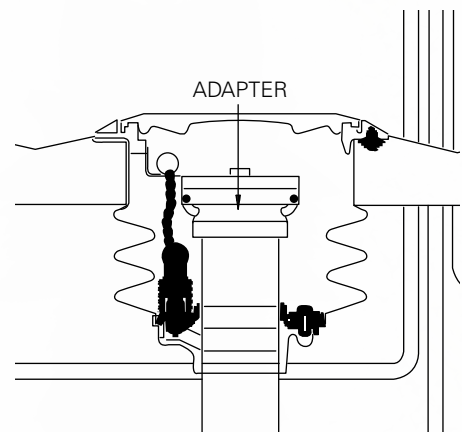
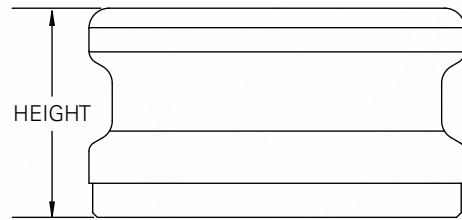


778 TOP SEAL FILL PIPE ADAPTER

Top seal fill pipe adapters are installed on the fill riser pipe in spill containment manways on an underground storage tank. The adapters are used to connect delivery drop elbows to the fill pipe for fuel deliveries. Adapters can be ordered with or without wrenching lugs to suit your installation preference. EBW® top seal fill pipe adapters fit all top seal drop elbows and top seal fill caps.

HIGHLIGHTS

- Constructed of ASTM B62 corrosion-resistant brass.
- Nitrile gasket for a secure seal onto the fill pipe.



ORDERING INFORMATION

| Model | Description | Height | | Weight | | Thread |
|----------|-----------------------------------|--------|------|--------|------|--------|
| | | mm | In. | Kg | Lbs. | |
| 78020001 | 3" x 3" without lugs | 44.45 | 1.75 | 0.9 | 2 | NPSM |
| 77830231 | 4" x 3" with lugs | 57.15 | 2.25 | 0.9 | 2 | BSPP |
| 77830101 | 4" x 4" with lugs | 68.27 | 2.69 | 0.9 | 2 | NPSM |
| 77830135 | 4" x 4" with lugs - nickel plated | 68.27 | 2.69 | 0.9 | 2 | BSPP |
| 77830132 | 4" x 4" without lugs | 68.27 | 2.69 | 0.9 | 2 | BSPP |

| Model | Description |
|----------|-----------------------|
| 77020102 | 3" replacement gasket |
| 77020103 | 4" replacement gasket |

** Biofuel compatible model (E85 and biodiesel).

SERVICE STATION HARDWARE

DEFENDER SERIES™ OVERFILL PREVENTION VALVE

In an industry of increasing complexity wouldn't it be nice if someone started making things simpler for you? The revolutionary Defender Series™ overfill prevention valve gives you a single solution for all fuel types, all applications, and makes elaborate installation and testing procedures a thing of the past.

Sound simple enough?



THE BEST DEFENSE

Check out these unique features found only on the Defender Series™ Overfill Prevention Valve (OPV).



NO LEAK POINTS

The revolutionary magnetically-coupled actuator system allows the Defender Series™ OPV to achieve positive shut-off without a single penetration in the valve body.

HIGHLIGHTS

- The absence of body penetrations in the OPV eliminates potential leak paths for escaping vapors.
- With increasing vapor recovery regulations around the world, the Defender Series™ OPV will have you ready for compliance.



SIMPLE INSTALL

Gone are the days of flaring, riveting, and epoxying drop tubes on site. The Defender Series™ OPV utilizes an error-proof roll-crimp and thread installation method to achieve a perfectly in-line installation.

HIGHLIGHTS

- A special, double O-ring top adapter is used to attach the drop tube for easy installation without any drilling, riveting, epoxy or flaring tools.
- A perfectly in-line assembly installs smoothly into the riser and can be easily removed for maintenance.



REMOTE TESTING

The magnetically-coupled actuator system along with the testing tool allows for primary functionality testing of the OPV without having to remove the entire assembly from the riser.

HIGHLIGHTS

- The remote testing tool will actuate the flapper when inserted down the drop tube and slid by the actuator - this is confirmed visually through a window in the tool.
- Fast visual inspection can be conducted by a single person.



VERSATILITY

The Defender Series™ represents our most versatile offering of OPVs to date with more approvals and capabilities per model as well as simpler ordering options.

HIGHLIGHTS

- Alcohol, gas, and biofuel (E-85, gasoline and Biodiesel) compatible models come with hard coated anodized drop tubes for full compatibility.
- For use in direct and remote gravity drop applications with models for coaxial applications.



DEFENDER SERIES® OPV OVERFILL PREVENTION VALVE

The Defender Series® overfill prevention valve (OPV) prevents the overfill of an underground storage tank during a gravity-fed product delivery. It employs a revolutionary magnetically-coupled actuator system to provide positive shutoff. This unique method of shutoff eliminates any penetrations in the valve, making it both vapor and leak tight. The Defender Series® OPV provides safe, rapid, and reliable fuel drops with simple installation, service, and remote testing capability.

HIGHLIGHTS

Eliminate Leak Points

The revolutionary magnetically-coupled actuator system allows the Defender Series® OPV to achieve positive shutoff without a single penetration in the valve body.

- The absence of body penetrations in the OPV eliminates potential leak paths for escaping vapors.
- Every unit is factory tested for 100% vapor tightness to ensure a clean, fugitive emission-free forecourt.
- With increasing vapour recovery regulations around the world, the Defender Series® OPV will have you ready for compliance.

Simple Installation

Gone are the days flaring, riveting, and epoxying drop tubes on site. The Defender Series® OPV utilises an error proof roll-crimp and thread installation method to achieve a perfectly in-line installation.

- A special, double O-ring top adapter is used to attach the drop tube for easy installation without any drilling, riveting, epoxy or flaring tools.
- A perfectly in-line assembly installs smoothly into the riser and can be easily removed for maintenance.
- With threaded top and bottom drop tube installation, damaged drop tubes can easily be replaced without having to purchase an entirely new assembly.

High or Low Flow

Minimal flow path obstructions accommodate high flow drops while the magnetically-coupled actuator system also provides reliable positive shutoff for low flow drops.

- The Defender Series® OPV accommodates a broad range of flow rates from 25 gpm to 370 gpm (95 lpm to 1,400 lpm).
- In high flow applications, the actuator system will hold the flapper in place, only releasing it into the flow of fuel once the float has risen to generate positive shutoff.
- In low flow applications, the actuator system will assist by kicking the flapper out into the flow of fuel to generate positive shutoff.

Remote Testing

The magnetically-coupled actuator system along with the testing tool allows for primary functionality testing of the OPV without having to remove the entire assembly from the riser.

- The remote testing tool will actuate the flapper when inserted down the drop tube and slid by the actuator - this is confirmed visually through a window in the tool.
- To accommodate varying tank sizes, the testing tool handle is segmented into six sections for customisation up to 11 feet (3.35 meters) in length.
- Fast visual inspection can be conducted by a single person.

Completely Versatile

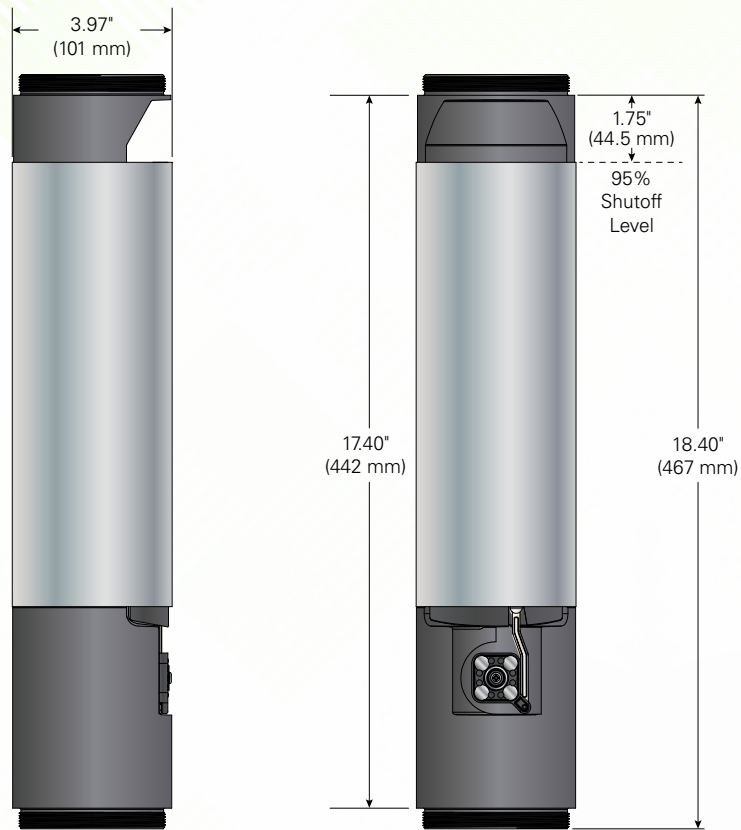
The Defender Series® represents our most versatile offering of OPVs to date with more approvals and capabilities per model as well as simpler ordering options.

- Each model is designed to meet all major approvals and global performance requirements.
- Alcohol, gas, and biofuel (E-85, gasoline and biodiesel) compatible models come with hard coated anodized drop tubes for full compatibility.
- For use in direct and remote gravity drop applications with models for coaxial applications.



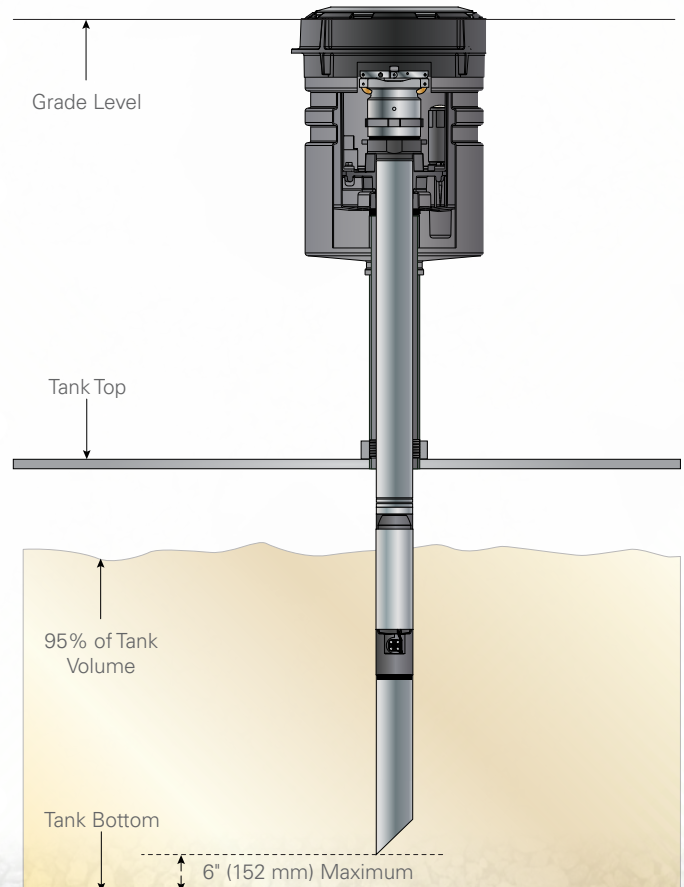
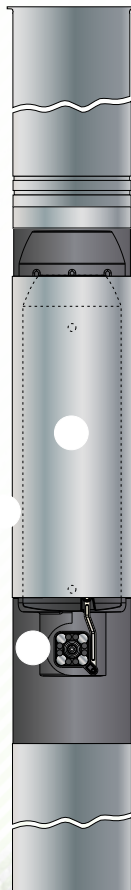
SPECIFICATIONS

Dimensions



Components

- Pre-flanged aluminum top drop tube
- Roll-crimped top fitting/drop tube
- Protective float sleeve
- Float (shielded by float sleeve)
- Valve Assembly
- Magnetically-coupled actuator
- Threaded bottom drop tube.



SPECIFICATIONS CONTINUED

Approvals/Certifications

- ULc listed.
- ATEX approved.

Operation

As the liquid level in the UST approaches 95% capacity, the liquid level raises the float. As the float rises it actuates the external/internal magnetic couplers which release the flapper to be closed by the flow of product. As the float continues to rise, the internal mechanism pushes the flapper further into the product flow to allow actuation at high or low flow rates. This sudden reduction in flow caused by the primary flapper closing creates "line shock" to the fill hose which signals the delivery driver that the tank is nearing 95% capacity. As the float continues to rise to the 95% fill level, the secondary closes, completely stopping the flow of fuel.

ORDERING INFORMATION

| Model | Description |
|-----------|--|
| 708591901 | Defender Series® overfill prevention valve with 5' top drop tube, 8' bottom drop tube |
| 708591902 | Defender Series® overfill prevention valve with 5' top drop tube, 10' bottom drop tube |
| 708591921 | Defender Series® overfill prevention valve with 5' top drop tube, 8' bottom drop tube, AGB compatible* |
| 708591922 | Defender Series® overfill prevention valve with 5' top drop tube, 10' bottom drop tube, AGB compatible* |
| 708592901 | Defender Series® overfill prevention valve with 10' top drop tube, 8' bottom drop tube |
| 708592902 | Defender Series® overfill prevention valve with 10' top drop tube, 10' bottom drop tube |
| 708592921 | Defender Series® overfill prevention valve with 10' top drop tube, 8' bottom drop tube, AGB compatible* |
| 708592922 | Defender Series® overfill prevention valve with 10' top drop tube, 10' bottom drop tube, AGB compatible* |
| 708593901 | Defender Series® overfill prevention valve, coaxial with 6.5' top drop tube, 8' bottom drop tube |
| 708593902 | Defender Series® overfill prevention valve, coaxial with 6.5' top drop tube, 10' bottom drop tube |
| 708593923 | Defender Series® overfill prevention valve, poppeted coaxial with 6.5' top drop tube, 8' bottom drop tube |
| 708593924 | Defender Series® overfill prevention valve, poppeted coaxial with 6.5' top drop tube, 10' bottom drop tube |
| 708594901 | Defender Series® overfill prevention valve only with top adapter, AGB compatible* |
| 708594902 | Defender Series® overfill prevention valve only with coaxial top adapter, AGB compatible* |
| 708535901 | Roll crimping tool |
| 708530930 | Replacement roll crimper tool roller bit for retrofit with existing tool |
| 708534901 | Remote testing tool, 11' long sectional/collapsible |

*Alcohol, gas, biofuel compatible (E-85, gasoline and biodiesel) models come with hard coated anodized drop tubes for full compatibility.





AUTOLIMITER® II

AUTOMATIC OVERFILL PREVENTION VALVE

The Autolimiter® overfill prevention valve is a self contained two-stage positive shut-off valve designed to prevent the overfill of an underground storage tank (UST) during a gravity fed product delivery. When the liquid level of the UST reaches about 92% of the tank capacity during a fill, the product in the tank raises the lower float of the valve. The primary poppet of the valve is then released and reduces flow to about 10% of normal flow. The sudden reduction in flow created by the closing of the primary poppet provides "line shock" to the fill hose notifying the transport delivery driver the tank is nearing 95% capacity. The transport delivery driver can then stop filling the tank, disconnect and drain the delivery hose. The upper float will close off the product flow when the product level reaches 95% of the tank capacity.

HIGHLIGHTS

- Two-stage, spring-loaded shut-off flapper reduces line shock.
- Vertical float design allows for valve to be removed even when tank is full.
- Inspection test port.
- Bottom tube threads on (except for -04 models).

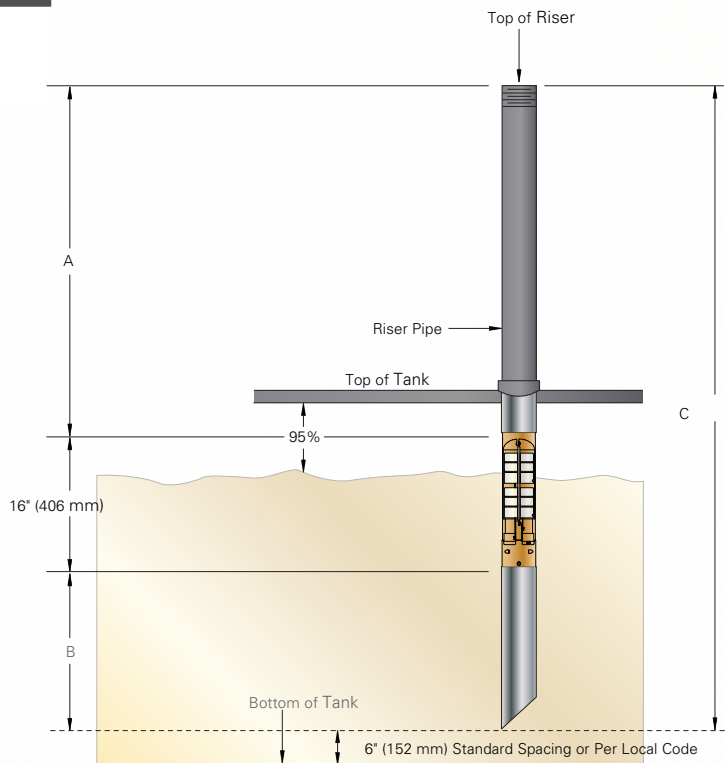
SPECIFICATIONS

Installation

- The Autolimiter® II is designed solely for use in underground storage tanks. For gravity drops only. No attempt should be made to utilize this product with aboveground storage tanks. The valve would not function, creating a very dangerous condition.
- This product is for use in tight fill applications only.
- EVR Phase 1 models require T-6100-FT installation tool.

ORDERING INFORMATION

| Model | Description | A | | B | | C | | |
|----------|---|------------|-----|----|-----|----|-----|--|
| | | mm | In. | mm | In. | mm | In. | |
| 70849404 | Overfill Prevention Valve only 4" without Drop Tube | Valve only | | | | | | |





REMOTE FILL KIT

The EBW® remote fill kit is needed when your tank location does not allow the space for a tanker truck or a convenient means to fill your tanks during high traffic periods. The remote fill can also be utilised for day or night filling, allowing delivery away from the main building during the day and close to the building during night-time hours.

HIGHLIGHTS

- More flexibility with station and equipment design.
- Allows for sticking tank through main fill adapter.

ORDERING INFORMATION

| Model | Length of Top Tube with Kit | | Weight | |
|----------|-----------------------------|-----|--------|-----|
| | In. | M | Lbs. | Kg |
| 70832002 | 72 | 1.8 | 6.4 | 2.9 |



DROP TUBES

EBW® drop tubes are available in two wall thicknesses. The thin wall (.035 and .042 thickness) models offer easy handling and installation. The heavy wall (.062 thickness) models offer more durability. The drop tube fits directly into the underground tank riser pipe in dual point vapour recovery and conventional non-vapour recovery fill systems. Fuel is efficiently delivered at a faster rate, and allows submerged filling, which generates less vapours and evaporation.

The drop tubes are furnished with a straight cut bottom, which can be cut to length on the job site.

HIGHLIGHTS

- Flared end with Buna-N gasket for positive seating.

SPECIFICATIONS

- Note: For use with outside clamping drop elbows on adapter only. Do not use with inside expanding drop elbows.
- 2" size shipped six tubes per box.

ORDERING INFORMATION

| Model | Description | Tubes per Box | Size mm x m | Size In. x Ft. | Wall Thickness | | OD | | Weight | |
|-----------|---|---------------|----------------|-------------------|----------------|-------|----|------|--------|------|
| | | | | | mm | In. | mm | In. | Kg | Lbs. |
| 782204102 | Drop Tube, Aluminium 4" x 10' Pack of 2 | 2 | 102 x 3.05 | 4 x 10 | 1.58 | 0.062 | 99 | 3.88 | 10 | 22 |





REMOTE FILL SPLICE KIT FOR DEFENDER SERIES® OPVS

The EBW® brand Defender Series® remote fill splice kit allows you to modify a standard drop tube for remote fill applications. The open tube design provides access to a Defender Series® overfill prevention valve (OPV) for remote testing without having to remove the assembly. The kit contains installation hardware as well as a gasketed splice which is then roll-crimped inside of the drop tube using the Defender Series® OPV installation tool. An external O-ring provides a vapor tight seal inside the riser tee. The kit provides the same biofuel compatibility as the Defender Series® OPV.

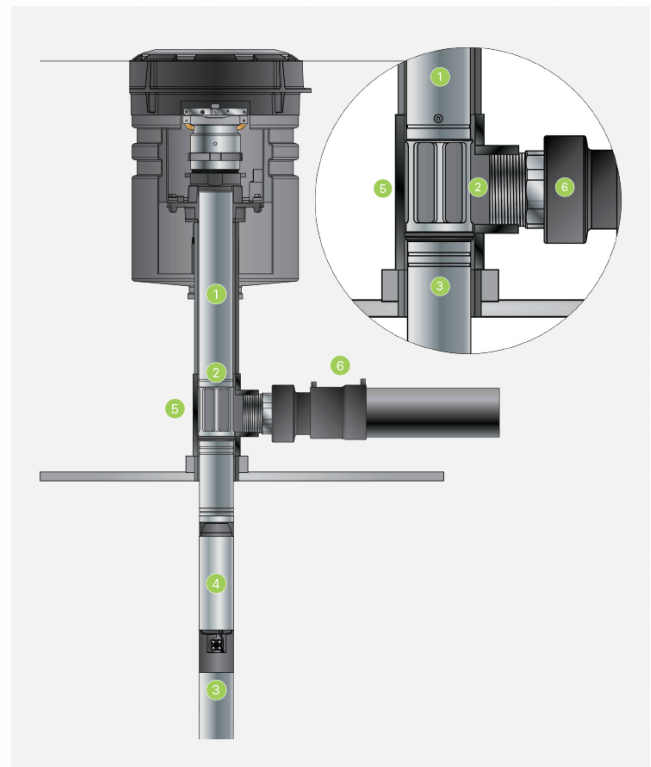
SPECIFICATIONS

Components

1. Top drop tube (included with OPV)
2. Defender Series® remote fill splice kit
3. Bottom drop tube (included with OPV)
4. Defender Series overfill prevention valve (included with OPV)
5. 4" x 4" x 4" tee (locally supplied)
6. Remote fill line

ORDERING INFORMATION

| Model | Description |
|-----------|--|
| 708556901 | Defender Series® remote fill splice kit, includes splice and O-rings |





SEALING DIP CAP

The EBW® brand sealing dip cap prevents the overflowing of a tank through uncapped tank dipstick risers. The 3" sealing dip cap incorporates a spring-loaded, self-closing internal valve which seals when the sealing cap is removed and the dipstick is not in place. This innovative safety feature provides overflow protection whether the sealing cap and the dipstick are removed, or the sealing cap is in position with an attached dipstick stored in the tank.

HIGHLIGHTS

- Threads onto 3" NPT or BSPT riser pipes, with adapter available for 2" NPT or BSPT riser pipes.
- Substantial safety improvement for tanks which are frequently dipped.
- Lockable latch to hold sealing cap in place.
- Dipstick can be attached to the sealing cap and stored inside the tank.
- Compact design for minimal height.
- Biofuel compatible.
- Easy to retrofit on existing dipstick riser pipes with minimal site disruption.

ORDERING INFORMATION

| Model | Description |
|-----------|---|
| 405718901 | 3" BSPT sealing dip cap |
| 405718902 | 3" NPT sealing dip cap |
| 405755901 | 2" BSPT riser adapter for 3" BSPT sealing dip cap model 405718901 |
| 405756901 | 2" NPT riser adapter for 3" BSPT sealing dip cap model 405718901 |

SPECIFICATIONS

Components

1. Sealing cap
2. Lockable latch
3. Self-closing valve (closed)
4. Self-closing valve (open)
5. Dipstick mounting bracket
6. Mounted dipstick
7. Dip cap body



LAG14 LEAK DETECTION

This class II (EN 13160-1: 2003) leak detector with an intrinsically safe probe circuit is designed for double-skinned tanks containing liquid in the interstitial space. The unit is designed for monitoring inflammable liquids of danger classes A I, A II, A III and B stored above ground and non-inflammable water-polluting liquids.

The system consists of a control unit, a container for leak monitoring fluid and a probe. CE-certified control unit with visual and audible alarms, test button and increased interference protection. With relay for connection of additional alarm equipment.

ORDERING INFORMATION

| Model | Description | Pack Size | Weight (kg) | Weight (lbs) |
|----------|--|-----------|-------------|--------------|
| LAG14-ER | Leak detector for double-skinned tanks | 1 | 1.4 | 3.1 |



SELECTING A SPILL CONTAINER

When you fully understand both your current site needs and where you might be headed in the future, you are able to make a sound decision on which type of spill container is right for your application. Be sure to consider your compliance needs, operational requirements, and weather/environmental conditions when selecting between a Defender Series® grade level or below grade spill container. Use this side-by-side comparison of the two spill container options to assist in making your selection.



GRADE LEVEL



BELOW GRADE

| | | |
|---|---|---|
| Single wall containment option | ✓ | |
| Double wall containment option | ✓ | ✓ |
| Upgrade from single wall to double wall spill containment | ✓ | |
| Integrated monitor option (visual inspection testing) | ✓ | ✓ |
| Integrated electronic sensor option (continual ATG monitoring) | ✓ | ✓ |
| Push-pull drain option | ✓ | ✓ |
| Installs with 1" (2.5cm) slope to grade level | ✓ | |
| Installs flush with grade level | | ✓ |
| Snow plow ring | ✓ | |
| Flush fiberglass composite manway cover | | ✓ |
| Cast iron gasketed lid | ✓ | |
| Gasketed lock-down lid with locking tabs | | ✓ |
| Containment housed inside a ribbed roto-molded PE gravel guard. | ✓ | |
| Containment protected by a solid steel manway skirt | | ✓ |



DEFENDER SERIES® SPILL CONTAINERS

Defender Series® five gallon spill containers combine years of knowledge and experience in forecourts across the globe to represent the best defense in spill containment. Proactively protecting a site from the dangers of fugitive emissions during fuel delivery can save station owners both time and money by avoiding remediation due to fuel leakage. Available in both grade level and below grade level models to meet the needs of your application and preference, the complete lineup of Defender Series® spill containers provides a durable, easy-to-install, and simple-to-maintain and service spill containment solution for any environment and any application.

HIGHLIGHTS

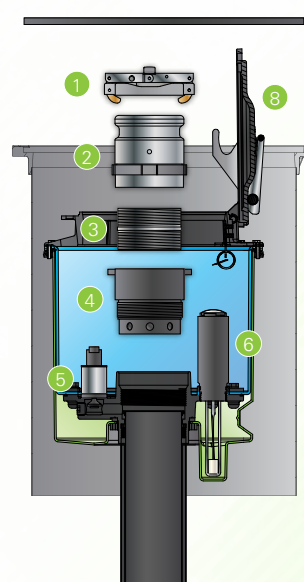
- Available in both grade level and below grade level models to meet the needs of your application and preference.
- Double wall protection complete with integrated visual interstitial integrity monitor or electronic sensor monitoring options for the secondary containment space (single wall grade level option available).
- Visual interstitial monitor facilitates efficient monthly inspections of the integrity of the secondary containment space during walk-through inspections.
- Electronic sensor monitor provides active integrity monitoring of the secondary containment space, providing immediate alarm of liquid when paired with an automatic tank gauge.
- Drop tube adapter ensures a vapor tight seal and easy in and out of drop tube / overfill prevention valve during installation or maintenance.
- Drain valve option, designed to meet CARB leak rate requirements, drains any spilled fuel into the tank.
- Grade level spill containers feature a rugged concrete ring, sturdy snow plow ring, and cast iron lid to deflect forecourt traffic. Their integrated liquid dam and gasketed lid prevent water entry. The container is housed inside a ribbed roto-molded PE gravel guard.
- Below grade spill containers feature a flush fiberglass composite manway lid allowing forecourt traffic to pass cleanly over its top. The gasketed lock-down cover seals water out. The container is protected by a solid steel manway skirt.
- Grade level spill containers offer variable installation height adjustment making it easy to ensure proper installation.
- Below grade spill containers install easily, and cleanly into the included 18" manway for simple installation.
- Easily upgrade from single to double wall without breaking concrete.

SPECIFICATIONS

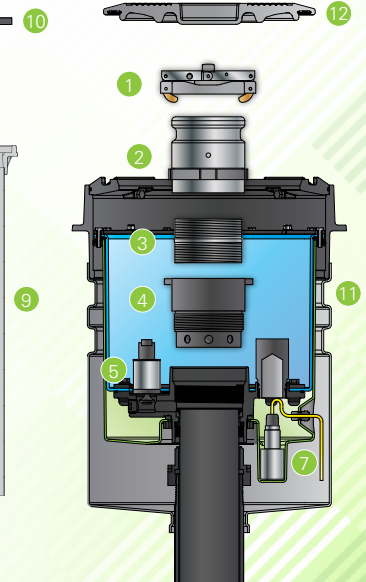
Components

- Primary containment
- Secondary containment
- 1 Adapter cap
- 2 Swivel adapter
- 3 Nipple
- 4 Drop tube adapter
- 5 Drain
- 6 Visual monitor
- 7 Electronic sensor monitor
- 8 Lock down lid
- 9 18" manway
- 10 Fiberglass manway lid
- 11 Gravel guard
- 12 Cast iron gasketed lid

Below Grade

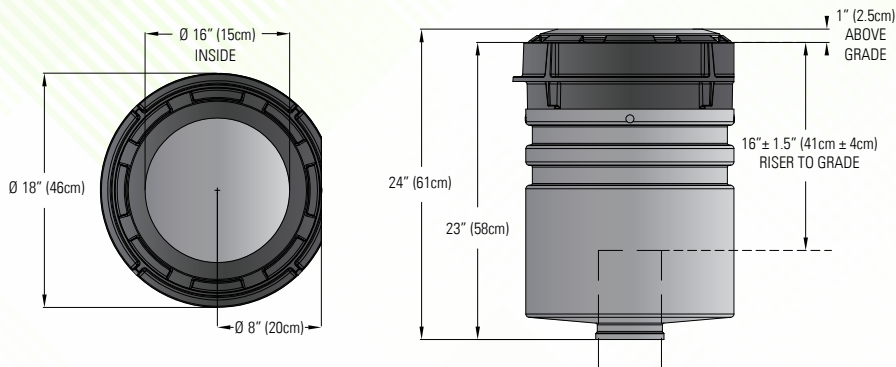


Grade Level

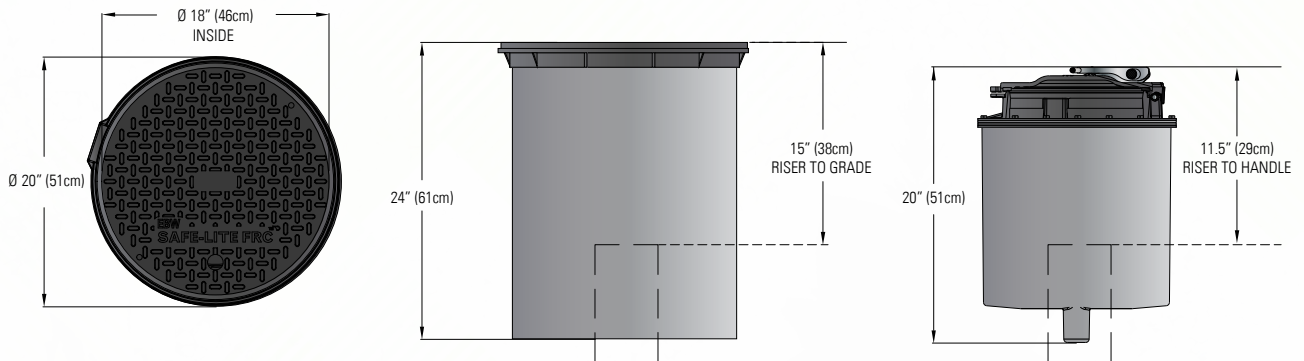


SPECIFICATIONS CONTINUED

Grade Level Spill Container Dimensions



Below Grade Spill Container Dimensions



Configurations

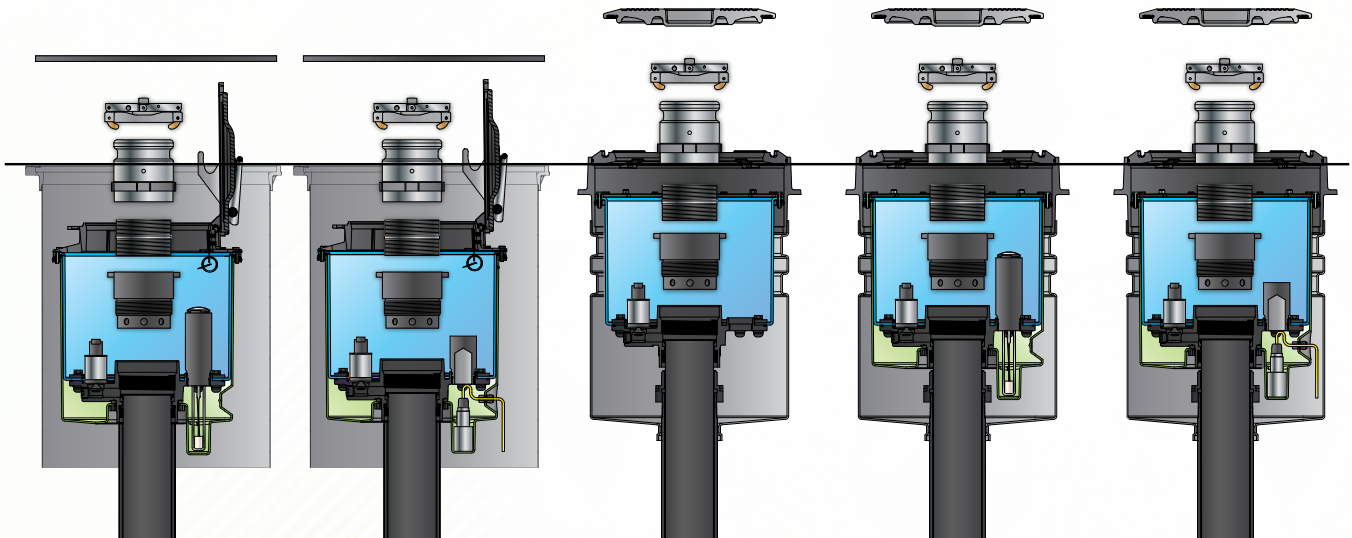
Below Grade
Double Wall
Visual Monitor

Below Grade
Double Wall
Electronic Monitor

Grade Level
Single Wall

Grade Level
Double Wall
Visual Monitor

Grade Level
Double Wall
Electronic Monitor



SPECIFICATIONS CONTINUED

Approvals/Certifications

- ULC Listed (grade level CI-GKT versions only).
- CARB approved (grade level only).
- Exceeds H20 and HS20 load standards (maximum axle load requiring support for the 32,000 or 16,000 pounds for each set of dual tire wheels).

ORDERING INFORMATION

Ordering Guide

Complete spill container part numbers have a specific order and are created using the following guidelines:

705 XXX Y A B C

XXX = Containment Options

- 545 = Grade level single wall
- 555 = Grade level double wall
- 556 = Below grade double wall

Y = Interstitial Monitoring Options

- 0 = No sensor
- 1 = Visual monitor (float gauge)
- 2 = Electronic sensor monitor

A = Base Thread Options

- 0 = NPSM
- 1 = NPT
- 2 = BSPT

B = Drain Options

- 1 = With drain
- 2 = Without drain

C = Lid/Cover*

- CI-GKT = Black epoxy-coated cast iron gasketed lid (grade level only)
- BLK = Black fiberglass 18" manway cover (below grade only)

* API colors available. Call factory for additional lid options.

Example: **70555111CI-GKT** = Defender Series® grade level double wall spill container with visual monitor, with NPT base thread, with drain and with black cast iron gasketed lid.

Example: **705556211BLK** = Defender Series® below grade double wall spill container with electronic sensor monitor, with NPT base thread, with drain and with black fiberglass manway cover (manway included).

Defender Series® Spill Containers Common Configurations

| Model | Description |
|-----------------|---|
| 705545001CI-GKT | Defender Series® grade level, single wall, NPSM thread, with drain, with black epoxy-coated cast iron gasketed lid |
| 705545002CI-GKT | Defender Series® grade level, single wall, NPSM thread, without drain, with black epoxy-coated cast iron gasketed lid |
| 705545011CI-GKT | Defender Series® grade level, single wall, NPT thread, with drain, with black epoxy-coated cast iron gasketed lid |
| 705545012CI-GKT | Defender Series® grade level, single wall, NPT thread, without drain, with black epoxy-coated cast iron gasketed lid |
| 705545021CI-GKT | Defender Series® grade level, single wall, BSPT thread, with drain, with black epoxy-coated cast iron gasketed lid |
| 705545022CI-GKT | Defender Series® grade level, single wall, BSPT thread, without drain, with black epoxy-coated cast iron gasketed lid |
| 705555101CI-GKT | Defender Series® grade level, double wall, NPSM thread, with drain, with visual monitor, with black epoxy-coated cast iron gasketed lid |
| 705555102CI-GKT | Defender Series® grade level, double wall, NPSM thread, without drain, with visual monitor, with black epoxy-coated cast iron gasketed lid |
| 705555111CI-GKT | Defender Series® grade level, double wall, NPT thread, with drain, with visual monitor, with black epoxy-coated cast iron gasketed lid |
| 705555112CI-GKT | Defender Series® grade level, double wall, NPT thread, without drain, with visual monitor, with black epoxy-coated cast iron gasketed lid |
| 705555211CI-GKT | Defender Series® grade level, double wall, NPT thread, with drain, with electronic sensor monitor, with black epoxy-coated cast iron gasketed lid |
| 705555212CI-GKT | Defender Series® grade level, NPT thread, without drain, with electronic sensor monitor, with black epoxy-coated cast iron gasketed lid |
| 705556111BLK | Defender Series® below grade, double wall, NPT thread, with drain, with visual monitor, with black fiberglass manway cover (18" manway included) |
| 705556112BLK | Defender Series® below grade, double wall, NPT thread, no drain, with visual monitor, with black fiberglass manway cover (18" manway included) |
| 705556211BLK | Defender Series® below grade, double wall, NPT thread, with drain, with electronic sensor monitor, with black fiberglass manway cover (18" manway included) |
| 705556212BLK | Defender Series® below grade, double wall, NPT thread, no drain, with electronic sensor monitor, with black fiberglass manway cover (18" manway included) |
| 705559901* | Defender Series® grade level cutaway display, double wall, with drain, with visual monitor |

*For display and demonstration purposes only. Six to eight week lead time.

Defender Series® Spill Container Installation Tools

| Model | Description |
|--------|---|
| T-7001 | T-handle wrench |
| T-7106 | Double-ended installation tool |
| T-7107 | Double wall vacuum test kit (for double wall models only) |



ORDERING INFORMATION CONTINUED

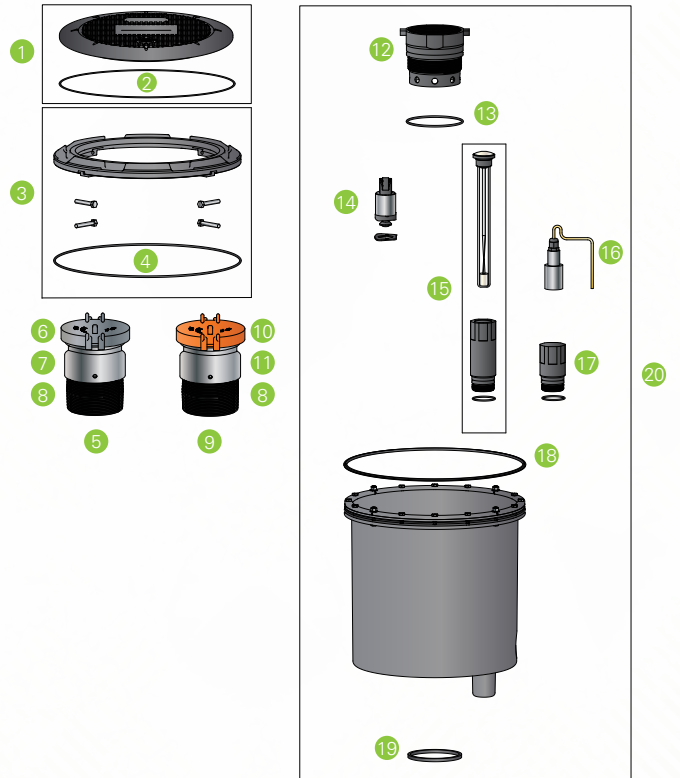
Grade Level Single Wall Replacement Parts

| # | Model | Description |
|----|-------------|-----------------------------------|
| 1 | 70544011 | Cover, cast iron w/gasket (black) |
| 2 | 70551911 | Cover gasket |
| 3 | 70553001 | Plow ring assembly |
| 4 | 602009007 | Plow ring gasket |
| 5 | 70541202 | Fill riser, cap, and adapter kit |
| 6 | 77720102 | Top seal fill cap |
| 7 | SWF-100-SS | Fill swivel adapter |
| 8 | 70521307 | 4" x 2.88" close nipple |
| 9 | 70541302 | Vapor riser, cap, and adapter kit |
| 10 | 30430103 | Top seal vapor cap |
| 11 | SWV-101-SS | Vapor swivel adapter |
| 12 | 70550901EC | DT riser clamp assembly |
| 13 | 1103939 | DT riser gasket |
| 14 | 70533729 | Pull-to-push drain valve kit |
| 15 | 70550311 | Spill container seal ring gasket |
| 16 | 602256001 | Tank riser gasket |
| 17 | 705545001SP | Spill container, NPSM, with drain |
| | 705545002SP | Spill container, NPSM, no drain |
| | 705545011SP | Spill container, NPT, with drain |
| | 705545012SP | Spill container, NPT, no drain |



Grade Level Double Wall Replacement Parts

| # | Model | Description |
|----|-------------|--|
| 1 | 70544011 | Cover, cast iron w/gasket (black) |
| 2 | 70551911 | Cover gasket |
| 3 | 70553001 | Plow ring assembly |
| 4 | 602009007 | Plow ring gasket |
| 5 | 70541202 | Fill riser cap and adapter kit |
| 6 | 77720102 | Top seal fill cap |
| 7 | SWF-100-SS | Fill swivel adapter |
| 8 | 70521307 | 4" x 2.88" close nipple |
| 9 | 70541302 | Vapor riser, cap, and adapter kit |
| 10 | 30430103 | Top seal vapor cap |
| 11 | SWV-101-SS | Vapor swivel adapter |
| 12 | 70550901EC | DT riser clamp assembly |
| 13 | 1103939 | DT riser gasket |
| 14 | 70533729 | Pull-to-push drain valve kit |
| 15 | 70553301 | I ² monitor and inspection port kit |
| 16 | TSP-ULS | Electronic leak detection sensor |
| 17 | 70553302 | Sensor inspection port |
| 18 | 70550311 | Spill container seal ring gasket |
| 19 | 602256001 | Tank riser gasket |
| 20 | 705555101SP | Spill container, I2, NPSM, with drain |
| | 705555102SP | Spill container, I2, NPSM, no drain |
| | 705555111SP | Spill container, I2, NPT, with drain |
| | 705555112SP | Spill container, I2, NPT, no drain |
| | 705555201SP | Spill container, sensor, NPSM, with drain |
| | 705555202SP | Spill container, sensor, NPSM, no drain |
| | 705555211SP | Spill container, sensor, NPT, with drain |
| | 705555212SP | Spill container, sensor, NPT, no drain |



ORDERING INFORMATION CONTINUED

Below Grade Double Wall Replacement Parts

| # | Model | Description |
|----|------------|--|
| 1 | 78130401 | Cover, 18", fiberglass (black) |
| 2 | 705587901 | Lock down cover assembly |
| 3 | 70541202 | Fill riser cap and adapter kit |
| 4 | 77720102 | Top seal fill cap |
| 5 | SWF-100-SS | Fill swivel adapter |
| 6 | 70521307 | 4" x 2.88" close nipple |
| 7 | 70541302 | Vapor riser, cap, and adapter kit |
| 8 | 30430103 | Top seal vapor cap |
| 9 | SWV-101-SS | Vapor swivel adapter |
| 10 | 70550901EC | DT riser clamp assembly |
| 11 | 1103939 | DT riser gasket |
| 12 | 70533729 | Pull-to-push drain valve kit |
| 13 | 70553301 | I ² monitor and inspection port kit |
| 14 | TSP-ULS | Electronic leak detection sensor |
| 15 | 70553302 | Sensor inspection port |
| 16 | 70550311 | Spill container seal ring gasket |
| 17 | 602256001 | Tank riser gasket |





GRADE LEVEL

EBW® spill containers are designed to collect spilled product that occurs during normal tank filling on underground storage tanks. Threaded base models are available in cast iron. Slip-on (retrofit) models use a gasket flanged bolt system to secure the spill bucket to the riser pipe and are designed to eliminate the need to remove the riser pipe from the underground tank when installing.

HIGHLIGHTS

- **Solid Construction** - The durable and flexible polyethylene shell is designed to move with natural ground movements. The shell is equipped with a gravel guard to prevent backfill material from filling in around the movable shell, eliminating problems with ground movement.
- **Cast Iron Base** - Ensures a long lasting, watertight seal.
- **Heavy Duty Cast Iron Deflector** - Provides protection from heavy traffic and truck plows and allows for water to run away from the spill container top, eliminating water collection in the bucket.
- **Drain Valve** - Allows emptying of contained product back to the storage tank. The drain is equipped with a screen for convenient cleaning.
- **Cover Options** - Includes FRC in API colors, aluminum, watertight locking aluminum and cast iron.
- **Optional API Cover Identification Plates** - Clearly identifies the product contained in the storage tank and helps to prevent cross contamination. Identification plates are available for all standard API symbols.
- **Highway 20 Rated (D.O.T. H20)** - All EBW spill containers and manways exceed the D.O.T. H20 requirements.
- **All EBW spill containers and manways exceed the D.O.T. H20 requirements.**
- **EVR Phase 1 Certification VR-103 (7XX-49Y-0Z models).**

SPECIFICATIONS

Materials

- **Base:** cast iron.
- **Bucket:** polyethylene.
- **Mounting ring:** cast iron.
- **Cover:** fiber reinforced composite (FRC), cast iron or aluminium.

Design Features

| Number | Description |
|--------|-------------------------------------|
| 1 | Heavy duty cast iron deflector ring |
| 2 | Drain valve |
| 3 | Cast iron or composite base |

| Model | A | | B | | C | |
|-------|-------|-------|-------|-------|-------|-------|
| | In. | cm | In. | cm | In. | cm |
| 702 | 17.12 | 43.48 | 13.25 | 33.7 | 15.88 | 40.3 |
| 703 | 17.12 | 43.48 | 13.25 | 33.7 | 15.88 | 40.3 |
| 705 | 17.12 | 43.48 | 14.75 | 37.46 | 15.69 | 39.85 |
| 715 | 17.12 | 43.48 | 23.5 | 59.69 | 22.5 | 57.15 |

ORDERING INFORMATION

Composite Base Spill Containers

| Model, with drain | Description | Capacity | | Cover | Weight | |
|-------------------|--|----------|--------|------------------------|--------|------|
| | | Litre | Gallon | | Kg | Lbs. |
| 70547101BLK | Spill Container 5 gal. 4" NPT composite base Black | 19 | 5 | Black, FRC, rain tight | 19.3 | 42 |

Cast Iron Base Spill Containers

| Model, with drain | Description | Capacity | | Cover | Weight | |
|-------------------|---|----------|--------|---|--------|------|
| | | Litre | Gallon | | Kg | Lbs. |
| 70547001BLK | Spill Container 5 gal. 4" NPT CI base Black | 19 | 5 | Black, FRC, rain tight | 25 | 54 |
| 70547021BLK | Spill Container 5 gal. 4" BSPT CI base Black | 19 | 5 | Black, FRC, rain tight | 25 | 54 |
| 70547201BLK-S | Spill Container 5 gal. 4" NPT CI base Black Snap-On | 19 | 5 | Black, snap-on | 25 | 54 |
| 70547965CI-GKT | Spill Container 5 gal. 4" NPT grey epoxy CI | 19 | 5 | Grey epoxy coated cast iron w/gasket | 25.4 | 56 |
| 70547901CI-GKT | Spill Container 5 gal. 4" NPT grey epoxy CI & RCA | 19 | 5 | Grey epoxy coated cast iron w/gasket, RCA * | 25.4 | 56 |
| 70549001BLK | Spill Container 5 gal. 4" NPT Rain Tight FRC Black | 19 | 5 | Black, FRC, rain tight | 26.7 | 58 |
| 71547001BLK | Spill Container 15 gal. 4" NPT Rain Tight FRC Black | 57 | 15 | Black, FRC, rain tight | 28 | 62 |
| 72547001BLK | Spill Container 25 gal. 4" NPT Rain Tight FRC Black | 95 | 25 | Black, FRC, rain tight | 42 | 92 |

| Model, without drain | Description | Capacity | | Cover | Weight | |
|----------------------|---|----------|--------|---|--------|------|
| | | Litre | Gallon | | Kg | Lbs. |
| 70545801BLK | Spill Container 5 gal. 4" NPT Rain Tight FRC Black | 19 | 5 | Black, FRC, rain tight | 29.4 | 64 |
| 70547202BLK-S | Spill Container 5 gal. 4" NPT Rain Tight Black Snap | 19 | 5 | Black, snap-on | 28 | 62 |
| 70547902CI-GKT | Spill Container 5 gal. 4" NPT grey epoxy CI & RCA | 19 | 5 | Grey epoxy coated cast iron w/gasket, RCA * | 30.8 | 68 |
| 70549002BLK | Spill Container 5 gal. 4" NPT CI base FRC Black | 19 | 5 | Black, FRC, rain tight | 19.3 | 42 |
| 71547202BLK-S | Spill Container 5 gal. 4" NPT CI base Black Snap-On | 57 | 15 | Black, snap-on | 28 | 62 |

Note: These models are all NPT bases. BSPT available on some models only.



ORDERING INFORMATION CONTINUED

Raintight Cover Options

| Suffix | Description |
|--------|-----------------------------------|
| BLK | Black, raintight |
| WHT | White, raintight |
| RED | Red, raintight |
| YEL | Yellow, raintight |
| GRY | Grey, raintight |
| ORG | Orange, raintight |
| BRN | Brown, raintight |
| WHT-X | White, raintight with black cross |
| RED-X | Red, raintight with white cross |
| ALUM | Aluminium |
| CI | Cast iron |
| CI-GKT | Cast iron with gasket |
| WATERT | Watertight aluminium |

Note: You must specify cover option at time of order.

12" Replacement Covers For Grade Level Spill Containers

| Model | Description |
|-----------|--|
| 70517101 | Replacement clips for snap-on covers |
| 70533301* | FRC black snap-on |
| 70540900 | Aluminium |
| 70542301 | FRC standard black cover |
| 70542302 | FRC white |
| 70542303 | FRC red |
| 70542305 | FRC yellow |
| 70542307 | FRC orange |
| 70543000 | Cast iron |
| 70544011 | Cast Iron with gasket in black |
| 71043001 | Aluminium watertight for use on 705 and 715 grade level spill containers |

*Snap-on lids fit only on special snap-on spill containers. Please consult factory. Minimum quantities may apply.



ROUND ACCESS COVERS & SKIRTS

These manways have a proven track record of trouble-free operation. Their durable construction withstands the heaviest traffic and meets the requirements of a D.O.T. H20 load rating.

HIGHLIGHTS

- Cast Iron Cover and Rings - EBW® 7-1/2" round manways have ribbed cast iron covers and cast iron rings to withstand heavy loads and traffic.
- Heavy Duty Skirts - EBW® 7-1/2" round manways have heavy duty cast iron skirts. 12" and 18" round manways have a 16 gauge welded steel skirt and are available in different depths to fit your needs.
- Coloured Cover Options - EBW® 18" round manways can be ordered with optional FRC coloured covers in standard API colour codes. The FRC covers also include a recessed area for optional API colour coded identification plates.
- Highway 20 Rated (D.O.T. H20) - All EBW® spill containers and manways exceed the D.O.T. H20 requirement.

ORDERING INFORMATION

| Model | Manway Size | | Cover | Skirt Depth | | Weight | |
|--------------|-------------|-----|-----------------------|-------------|-----|--------|----|
| | In. | mm | | In. | mm | Lbs. | Kg |
| 78120808 | 7.5 | 191 | Cast iron | 8 | 203 | 22 | 10 |
| 78121212CI | 12 | 305 | Cast iron | 12 | 305 | 36 | 16 |
| 78121212CI-H | 12 | 305 | Cast iron with handle | 12 | 305 | 36 | 16 |
| 78121224CI | 12 | 305 | Cast iron | 24 | 610 | 70 | 32 |
| 78141808BLK | 18 | 457 | FRC | 8.5 | 216 | 30 | 14 |
| 78141808GRY | 18 | 457 | FRC | 8.5 | 216 | 30 | 14 |
| 78141812BLK | 18 | 457 | FRC | 12 | 305 | 33 | 15 |
| 78141812GRY | 18 | 457 | FRC | 12 | 305 | 33 | 15 |
| 78141818BLK | 18 | 457 | FRC | 18 | 457 | 39 | 18 |
| 78147865 | 18 | 457 | FRC bolted | 8.5 | 216 | 30 | 14 |

Replacement Round Manway Covers

| Model, with drain | Manway Size | | Cover | Weight | |
|-------------------|-------------|-----|-----------------------|--------|-----|
| | In. | mm | | Lbs. | Kg |
| 78130201 | 12 | 305 | FRC black | 10 | 5 |
| 78130207 | 12 | 305 | FRC orange | 10 | 5 |
| 78130401 | 18 | 457 | FRC black | 10 | 5 |
| 78130601 | 18 | 457 | 0.375" steel | 33 | 15 |
| 78140001 | 12 | 305 | Cast iron | 17 | 8 |
| 78140201 | 7.5 | 191 | Cast iron | 6 | 3 |
| 78140701 | 12 | 305 | Cast iron with handle | 18 | 8.1 |
| SRC18HRP | 18 | 457 | Steel, bolt-down | 33 | 15 |





STEEL ACCESS COVERS

Available in 18" to 48" round or 24" square.

HIGHLIGHTS

- Covers meet or exceed D.O.T. H20 load rating.
- Available in a bolted version including bolts and gasket.
- Painted rustproof black.
- 24" square manway is manufactured using all welded construction. Corners are matched to ensure proper fit with covers.

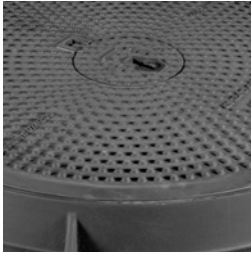
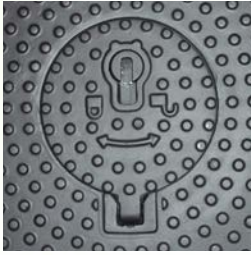
ORDERING INFORMATION

| Model | Dimensions | | Skirt Size | | Cover | Weight | |
|-------|---------------|---------------|------------|-------|------------|--------|-------|
| | In. | cm | In. | cm | | Lbs. | Kg |
| Q2409 | 24.00 × 24.00 | 60.96 × 60.96 | 9 | 22.86 | Non-bolted | 86 | 39.01 |

| Model | Dimensions | | Skirt Size | | Cover | Weight | |
|----------------|------------|--------|------------|-------|------------|--------|--------|
| | In. | cm | In. | cm | | Lbs. | Kg |
| 781-418-08-STL | 18 | 45.72 | 8 | 20.32 | Non-bolted | 39 | 17.6 |
| 781-418-12-STL | 18 | 45.72 | 12 | 30.48 | Non-bolted | 41 | 18.6 |
| 781-418-18-STL | 18 | 45.72 | 18 | 45.72 | Non-bolted | 44 | 19.95 |
| SR1809 WT | 18 | 45.72 | 9 | 22.86 | Bolted | 40 | 18.14 |
| SR2409 HD | 24 | 60.96 | 9 | 22.86 | Non-bolted | 70 | 31.75 |
| SR3009 HD | 30 | 76.2 | 9 | 22.86 | Non-bolted | 139 | 63.05 |
| SR3009 WT | 30 | 76.2 | 9 | 22.86 | Bolted | 139 | 63.05 |
| SR3609 HD | 36 | 91.44 | 9 | 22.86 | Non-bolted | 192 | 87.09 |
| SR3609 WT | 36 | 91.44 | 9 | 22.86 | Bolted | 192 | 87.09 |
| SR3809 HD | 38 | 96.52 | 9 | 22.86 | Non-bolted | 235 | 106.59 |
| SR3809 WT | 38 | 96.52 | 9 | 22.86 | Bolted | 235 | 106.59 |
| SR4209 HD | 42 | 106.68 | 9 | 22.86 | Non-bolted | 310 | 140.61 |
| SR4209 WT | 42 | 106.68 | 9 | 22.86 | Bolted | 310 | 140.61 |
| SR4809 HD | 48 | 121.92 | 9 | 22.86 | Non-bolted | 400 | 181.44 |
| SR4809 WT | 48 | 121.92 | 9 | 22.86 | Bolted | 400 | 181.44 |

SPECIFICATIONS

| Model | A | | B | | C | | D | |
|----------------|------|--------|-------|--------|-----|-------|-------|--------|
| | In. | cm | In. | cm | In. | cm | In. | cm |
| 781-418-08-STL | 19 | 48.26 | 18 | 45.72 | 8.5 | 21.59 | 17.93 | 45.54 |
| 781-418-12-STL | 19 | 48.26 | 18 | 45.72 | 12 | 30.48 | 17.93 | 45.54 |
| 781-418-18-STL | 19 | 48.26 | 18 | 45.72 | 18 | 45.72 | 17.93 | 45.54 |
| SR1809 WT | 17.5 | 44.45 | 16.75 | 42.55 | 9 | 22.86 | 16.25 | 41.28 |
| SR2409 HD | 23.5 | 59.69 | 22.75 | 57.79 | 9 | 22.86 | 22.25 | 56.52 |
| SR3009 HD | 29.5 | 74.93 | 28.75 | 73.03 | 9 | 22.86 | 28.25 | 71.76 |
| SR3009 WT | 29.5 | 74.93 | 28.75 | 73.03 | 9 | 22.86 | 28.25 | 71.76 |
| SR3609 HD | 35.5 | 90.17 | 34.75 | 88.27 | 9 | 22.86 | 34.25 | 87 |
| SR3609 WT | 35.5 | 90.17 | 34.75 | 88.27 | 9 | 22.86 | 34.25 | 87 |
| SR3809 HD | 39.5 | 100.33 | 38.75 | 98.43 | 9 | 22.86 | 38.25 | 97.16 |
| SR3809 WT | 39.5 | 100.33 | 38.75 | 98.43 | 9 | 22.86 | 38.25 | 97.16 |
| SR4209 HD | 41.5 | 105.41 | 40.25 | 102.24 | 9 | 22.86 | 39.75 | 100.97 |
| SR4209 WT | 41.5 | 105.41 | 40.25 | 102.24 | 9 | 22.86 | 39.75 | 100.97 |
| SR4809 HD | 47.5 | 120.65 | 46.25 | 117.48 | 9 | 22.86 | 45.75 | 116.21 |
| SR4809 WT | 47.5 | 120.65 | 46.25 | 117.48 | 9 | 22.86 | 45.75 | 116.21 |



POWER LIFT CAST IRON COVERS

UPP® brand power lift cast iron covers are designed for use on forecourts and refuelling stations with heavy traffic where frequent access is required. They combine the strength and durability of cast iron construction with a spring loaded hinge mechanism that allows the covers to be opened and closed with ease. The lid will stay open at any angle without the need for a locking mechanism or stays, greatly increasing safety and time/manpower efficiencies on site.

HIGHLIGHTS

- The extremely hard wearing and durable covers will not spin out, buckle or loose shape due to pressure forces from vehicles.
- The unique spring loaded hinge mechanism makes the ease of opening the ultra strong cast iron cover comparable to that of a lightweight composite cover.
- Lockable design increases on site security and safety.
- When locked, the covers become watertight due to the chemically resistant neoprene sealing gasket and internal drainage channel.
- Surface liquids drain away from the cover preventing leaking into the underground containment.
- Resistant to chemical corrosion from petroleum and alcohols and painted with a noncorrosive paint which protects the cover from rust.
- Square, rectangle and round access model options.
- Raised and flush mount model options.
- Dip model available with integrated inspection port.

SPECIFICATIONS

- Each cover complies with the toughest engineering standards for access covers: BS EN 124 to Class D400 structural integrity as tested by Lloyds British Testing plc.

ORDERING INFORMATION

| Model | Description | Kg | Lbs. | Opening (mm) |
|------------|--|-----|-------|--------------|
| PC76-D400* | UPP® Access Cover 760x760mm D400 flush | 120 | 264.6 | 760 x 760 |

* Note that one handle PC/H needs to be ordered with each PC76-D400 cover.

| Model | Description | Kg | Lbs. | Opening (mm) |
|---------|---------------------------------------|-----|-------|--------------|
| PC76-1* | UPP® Cast Iron Cover 760x760mm raised | 121 | 266.8 | 760 x 760 |

* Note that one handle PC76-1/H needs to be ordered with each PC76-1 cover.



ORDERING INFORMATION CONTINUED

| Model | Description | Kg | Lbs. | Opening (mm) |
|---------|---------------------------------------|-----|-------|--------------|
| PC770 * | UPP® Cast Iron Cover 770x770mm raised | 130 | 286.6 | 770 x 770 |

* Note that one handle PC/H needs to be ordered with each PC770 cover.



| Model | Description | Kg | Lbs. | Opening (mm) |
|------------|-------------------------------|-----|------|--------------|
| PC95-D400* | UPP® Access Cover Ø950mm D400 | 200 | 441 | Ø950 |

* Note that one handle PC/H needs to be ordered with each PC95-D400 cover.



| Model | Description | Kg | Lbs. | Opening (mm) |
|----------------|-----------------------------------|-----|------|--------------|
| PC95-D400-DIP* | UPP® Access Cover Ø950mm Dip D400 | 200 | 441 | Ø950 |

* Note that one handle PC/H needs to be ordered with each PC95-D400-DIP cover.



| Model | Description | Kg | Lbs. | Opening (mm) |
|---------------|------------------------------------|-----|------|--------------|
| PC150-76-D400 | UPP® Access Cover 1500x760 mm D400 | 264 | 582 | 1502 X 762 |

* Note that TWO handle PC/H need to be ordered with each PC-150-76-D400 cover.



| Model | Description | Kg | Lbs. | Material |
|----------|--|------|------|-----------|
| PC/H | Handle for PC 51/76/77/95 (pictured)/150/770 | 1.06 | 2.3 | Cast Iron |
| PC76-1/H | Handle for PC76-1 | | | |
| PC76/J | Gasket for PC76 Access Cover | 0.3 | 0.7 | Neoprene |





COMPOSITE MANHOLES

At a fraction of the weight of typical steel manholes, FLEX-ING™ brand Composite Manholes give you all the benefits of a solid, well-constructed manhole with none of the difficulties you've come to expect from steel. A single technician can easily remove the lightweight cover while the composite construction and design allow the cover to stand up to the harshest forecourt conditions.

HIGHLIGHTS

Steel Has Met Its Match

At a fraction of the weight of typical steel manholes, FLEX-ING™ brand Composite Manholes give you all the benefits of a solid, well-constructed manhole with none of the difficulties you've come to expect from steel. A single technician can easily remove the lightweight cover while the composite construction and design allow the cover to stand up to the harshest forecourt conditions.

Solid Construction, No Compromise

We don't compromise with cheap wood or foam fillers. FLEX-ING™ brand Composite Manholes are constructed of many layers of high quality fiberglass bonded together with premium resin and then hand-finished with the utmost attention to quality. The end result is a durable, lightweight cover that not only meets, but exceeds, most testing standards.

Greater Wall Thickness

FLEX-ING™ brand Composite Manholes feature a domed shape. At their centre, our manholes taper up from 1" to 1 ¼" in wall thickness while most competitive models remain at a uniform 1" wall thickness. This extra wall thickness provides minimal deflection and an extended service life.

Quality Construction

A shallow handle hole and chest-style handle with backer plate keep the wall thickness higher around this high-impact area of the cover. 38" and 42" come standard with spring loaded handle and are available with Cam lock for rain tight applications. Additionally FLEX-ING™ brand Composite Manholes feature a 12 gauge skirt construction that is also powder coated for extreme protection.

SPECIFICATIONS

- Constructed of many layers of high quality fiberglass bonded together with premium resin and then hand-finished with the utmost attention to quality.
- At their centre, our manholes taper up from 1" to 1 ¼" in wall thickness while most competitive models remain at a uniform 1" wall thickness. This extra wall thickness provides minimal deflection and an extended service life.
- A shallow handle hole and chest-style handle with backer plate keep the wall thickness higher around this high-impact area of the cover.
- 38" and 42" come standard with spring loaded handle and are available with Cam lock for rain tight applications.
- 12 gauge skirt construction that is also powder coated for extreme protection.
- Exceeds H20 and HS20 load standards (maximum axle load requiring support for the 32,000 or 16,000 pounds for each set of dual tire wheels)
- Slip resistant



COMPOSITE

| Model | Diameter | Lid Thickness | Frame ID | Skirt Height | Skirt ID | Opening |
|--------------|----------|---------------|----------|--------------|----------|---------|
| 38" manholes | 39.00" | 1.00" | 39.75" | 10.50" | 37.00" | 35.25" |
| 42" manholes | 43.94" | 1.00" | 44.50" | 10.50" | 42.00" | 41.25" |

ORDERING INFORMATION

| Model | Description |
|--------------|--|
| 14U-3810 | 38" Composite manhole lid, ring, and 10" skirt |
| 14URT-3810 | 38" Raintight Composite manhole lid, ring, and 10" skirt |
| 14U-RT3810CL | 38" Raintight Composite manhole with 10" skirt and cam locks |
| 14U-3810C | 38" Composite manhole lid only |
| 14U-4210 | 42" Composite manhole lid, ring, and skirt (10") |
| 14URT-4210 | 42" Raintight Composite manhole lid, ring, and skirt (10") |
| 14U-RT4210CL | 42" Raintight Composite manhole with skirt (10") and cam locks |
| 14U-4210C | 42" Composite manhole lid only |



FIBER REINFORCED COMPOSITE MANWAYS

EBW® SAFE-LITE FRC manway covers are ultra lightweight. Engineered and tested to exceed the D.O.T. H20 load ratings. Covers weigh almost one-third less than steel which dramatically reduces injury potential during cover removal. Available in 12", 30", 36" and 42" sizes. The slide action cover further reduces the chance of injury by eliminating the need to bend down to remove or replace the cover.

HIGHLIGHTS

- Exceeds D.O.T. Requirements - Engineered for high-strength and tested to over 50,000 lbs. load (2-1/2 times D.O.T. requirement) without failure.
- Fatigue Resistant - Product has undergone 30 year life simulation testing, with 11,000 loading cycles of 20,000 lbs. each.
- Lightweight - FRC composite covers weigh almost one-third less than steel. Lighter weight reduces back injuries, increases ease of access to manway and decreases shipping costs.
- Skirt Ring - Made of 1/4" rolled angle iron. Skirt is 14 gauge steel, built to handle the heaviest traffic.
- Slide Action Cover - Cover is removed and replaced by placing the slide action handle into the plate on the cover. No bending down to remove the cover.
- Cover Options - Bolted, non-bolted and slide on models. All covers are supplied with handles. Other colours available; call for details.
- Optional Aramid Covers - For extra wear protection at heavy traffic sites. Available for 36" and 42" models only.

| Model | Description | Cover OD |
|-------------|---|----------|
| 78148206 | 36" Access Cover (only) - Slide Action, Grey | 39.5" |
| 78148512GRY | 36" Access Cover complete with skirt and frame assembly | -- |
| 78134101 | Handle for Slide Action Cover Removal | -- |

M.H.ASS'Y,36" SLID - 78148512GRY is not supplied with gasket. Gasket must be ordered separately. Gasket part number is NONBOLT KIT.





COMPOSITE ACCESS COVERS

UPP® brand composite access covers feature a lightweight, watertight design for safe and easy access to underground containment. Their large diameter openings provide a wide access point for larger containment spaces. The full composite construction of both the lid and the ring provide complete corrosion resistance. For the ultimate in easy access, dip models feature an integrated inspection port at the center of the cover lid. Additionally, the locking mechanism seal the cover down to prevent it from spinning out and thwart unwanted access.

HIGHLIGHTS

- Two size ranges are available to accommodate varying applications and access opening size requirements including a 35" (900mm) diameter access opening and a larger 42" (1,060mm) diameter access opening.
- Complete composite construction is corrosion resistant even in the harshest forecourt conditions as well as resistant to chemical corrosion from petroleum and alcohols.
- Composite construction resists warping and delamination.
- Extremely hard wearing and durable, will not spin out, buckle or lose shape due to pressure forces from vehicles.
- Lockable design provides increased on-site security and safety.
- Anti-slip surface for increased safety.
- Integrated cover O-ring creates a watertight seal between the cover and frame.
- Dip models available with integrated inspection port.
- Locking mechanism key included.
- All component parts are resistant to chemical attack, diesel, petrol, salt and water or a combination over the lifespan of the cover (surface discoloration is acceptable in service).
- Access cover lifting handles make cover removal safe and easy (sold separately).
- Access cover skirts available (sold separately).

SPECIFICATIONS

35" (900mm) Composite Access Cover

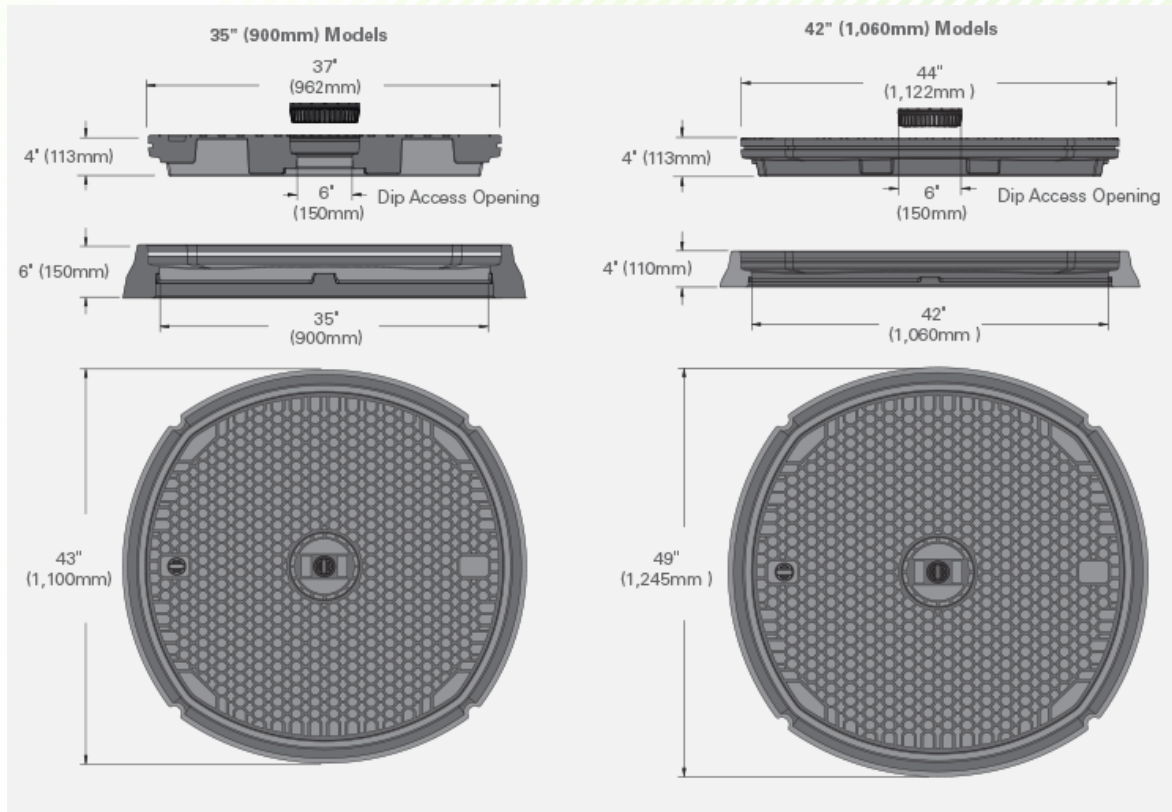
- Load rating: EN124:1994 Class C250 & D400
- Clear opening: 35 7/16" (900mm) diameter
- Cover external dimension: 37 7/8" (962mm) diameter
- Frame external dimension: 43 5/16" (1,100mm) diameter
- Cover weight: 68 lbs (31kg)
- Frame weight: 33 lbs (15kg)
- Tread: Embedded aggregate – uni-directional, complies with EN124:1994
- Material: Advanced fiberglass composite.

42" (1,060mm) Composite Access Cover

- Load rating: EN124:1994 Class C250
- Clear opening: 41 3/4" (1,060mm) diameter
- Cover external dimension: 44 3/16" (1,122mm) diameter
- Frame external dimension: 49 1/16" (1,245mm) diameter
- Cover weight: 88 lbs (40kg)
- Frame weight: 29 lbs (13kg)
- Tread: Embedded aggregate – uni-directional, complies with EN124:1994
- Material: Advanced fiberglass composite.

SPECIFICATIONS CONTINUED

Dimensions



ORDERING INFORMATION

Composite Access Cover

| Model | Description |
|------------|---|
| PCR090 | 35" (900mm) composite access cover, C250 rating |
| PDR090 | 35" (900mm) composite access cover, D400 rating |
| PCR090-DIP | 35" (900mm) composite access cover with integrated dip inspection port, C250 rating |
| PCR106 | 42" (1,060mm) composite access cover, C250 rating |
| PCR106-DIP | 42" (1,060mm) composite access cover with integrated dip inspection port, C250 rating |
| PCR-DIPCAP | Replacement dip cap for composite access covers |
| PCR-LIFT | Lifting handle tool for composite access covers |
| PCR-LOCK | Locking mechanism for composite access covers |
| PCR-PLUG | Locking mechanism replacement dust plug |
| SDFLX40FC | Sealant (to seal access cover frame to skirt) |



Lifting Handle Tool

35" (900mm) Composite Access Cover Accessories

| Model | Description |
|---------------|--|
| PDR090-S | Replacement gasket for 35" (900mm) composite access covers (between lid and frame) |
| PXR090-OCH-SK | 35" (900mm) fiberglass skirt, for use with OCH tank cambers |

42" (1,060mm) Composite Access Cover Accessories

| Model | Description |
|-------------------|--|
| PCR106-S | Replacement gasket for 42" (1,060mm) composite access covers (between lid and frame) |
| PCR106-OCH1400-SK | 42" (1,060mm) fiberglass skirt, for use with OCH tank cambers |
| PCR106-TSM4542-SK | 42" (1,060mm) fiberglass skirt, for use with TSM tank cambers |





MONITORING WELL MANWAYS

EBW® brand 8", 10", and 14" monitoring well manways are equipped with strong cast iron, bolt-down lids to provide limited access to entering the manway. A watertight seal prevents contamination and a heavy-duty cast iron rim protects the manway from forecourt traffic. The lid features a distinctive triangle and the words "Do Not Fill - Test Well" which are both cast into the cover to meet API specifications.

SPECIFICATIONS

Materials

- 8" manway height / weight: 13" (330 mm) / 18 Lbs (8 Kg)
- 10" manway height / weight: 12" (305 mm) / 25 Lbs (11 Kg)
- 14" manway height / weight: 12" (330 mm) / 41 Lbs (19 Kg)

ORDERING INFORMATION

| Model | Description |
|----------|-------------------------------|
| 80840001 | 8" cast iron monitoring well |
| 81030201 | 10" cast iron monitoring well |
| 81430201 | 14" cast iron monitoring well |



MONITORING WELL CAP PLUGS

EBW® brand monitoring well cap plugs expand on the inside diameter of the screen pipe casing to form a vapour and watertight seal. An integrated locking mechanism prevents unauthorized access. The locking mechanism features a captured bolt, eliminating potential drop-out. The cap is a distinctive yellow colour and features the words "Do Not Fill - Monitor Well" which is molded into the cap.

SPECIFICATIONS

- Body: Corrosion-proof plastic
- Gasket: Buna-N.

ORDERING INFORMATION

| Model | Description |
|----------|--------------------------------------|
| 77210601 | 2" monitoring well cap plug (51 mm) |
| 77210201 | 4" monitoring well cap plug (102 mm) |
| 77210901 | 6" monitoring well cap plug (152 mm) |



MONITORING WELL SCREEN PIPE

EBW® brand monitoring well screen pipes facilitate groundwater testing by allowing groundwater to pass through horizontal slots in the pipe. The screen pipe features precision cut slot apertures that provide a measured and uniform barrier to ingress with no sharp edges to damage the filter sock or oversized apertures that can allow bulging and perforation of the filter sock.

SPECIFICATIONS

- The screen pipe must be installed with the included bottom cap to prevent any bypass of the well screen pipe apertures and filter wrap.
- The screen pipe is intended to be installed together with a filter wrap.

ORDERING INFORMATION

| Model | Description |
|----------|--|
| 77320001 | 2" x 13' monitoring well screen pipe (51 mm x 396 cm) |
| 77320002 | 4" x 13' monitoring well screen pipe (102 mm x 396 cm) |
| 77320003 | 6" x 13' monitoring well screen pipe (152 mm x 396 cm) |
| 77320004 | 4" x 15' monitoring well screen pipe (102 mm x 457 cm) |



MONITORING WELL FILTER WRAP

EBW® brand monitoring well filter wrap is used on the outside of monitoring well screen pipe to further prevent fine soil from entering and blocking the slots.

SPECIFICATIONS

- Body: Spun bound polypropylene
- Micron rating: 250 microns
- Available in 100' (3048 cm) rolls

ORDERING INFORMATION

| Model | Description |
|----------|--|
| 77310002 | 2" x 100' monitoring well filter wrap (51 mm x 3048 cm) |
| 77310004 | 4" x 100' monitoring well filter wrap (102 mm x 3048 cm) |





MONITORING WELL PACKAGES

The EBW® brand offering of monitoring well equipment includes all of the necessary hardware components necessary to operate and properly maintain a monitoring well. When combined with the INCON® brand TS-MWS monitoring well brite sensor, you have the ability to accurately detect the presence of hydrocarbon floating on groundwater. This can be programmed to trigger a number of alarm actions, allowing you to react immediately.

SPECIFICATIONS

- 8", 10", and 14 " manyway options.
- 2", 4" and 6" cap plug options.
- 2", 4" and 6" screen pipe options.
- 2" and 4" screen pipe filter wrap options.
- Monitoring well discriminating liquid sensor.

ORDERING INFORMATION

| Model | Description |
|---------|--|
| 808-4-K | (1) 808-400-01 8" manway, (1) 772-102-01 4" cap plug, and (1) 773-200-02 4" screen pipe |
| 810-6-K | (1) 810-302-01 10" manway, (1) 772-109-01 6" cap plug, and (1) 773-200-03 6" screen pipe |

Note: Filter wrap and liquid sensor sold separately.



PROBE ACCESS MANHOLE

FLEX-ING™ brand probe access manholes offer an ideal solution for housing fuel management systems electronics and providing tank access with isolation from backfill.

SPECIFICATIONS

- Height: 14.88" (377.95 mm)
- Cover diameter: 21.87" (550.50 mm)
- Bottom diameter: 14.88" (377.95 mm)
- Mounting bolts: 3/8" hex head mounting bolts with built-in washers bolt into anchors with couplings

ORDERING INFORMATION

| Model | Description |
|----------|--------------------------------------|
| 20URTATG | Probe access manhole |
| 81830701 | Replacement cover with plain lid top |



FLEXIBLE CONNECTORS

Since their introduction in 1995, FLEX-ING™ FIREFLEX Flexible Connectors have quickly become the industry standard and benchmark for quality as a means to easily connect pipework system to other systems components such as submersible pumps or shear valves. The benefit of their use is undeniable. They have quickly become an integral part of any installation. Installers love their ease of installation while station owners have come to depend on their durability and how easy they make regular maintenance. With tons of available options, Franklin Fueling Systems has the right connector to fit any application.

HIGHLIGHTS

Flexibility is Key

When it comes to Flexible Connectors, flexibility is key. The tight working conditions found in dispenser and tank sumps provide little room for installers to work, motivating some manufacturers of flexible connectors to sacrifice overall strength for flexibility. With FLEX-ING™ FIREFLEX Flexible Connectors, there's no need to compromise. Their corrugated fuel contact layers feature a 25% thicker metal construction and gain flexibility from having more corrugations per foot rather than thinner walls.

Quality Construction

Enclosing the corrugated fuel contact layer is a stainless steel braid that is manufactured from only high-grade stainless steel. The precision braiding process used to manufacture the braid gives strength while still maintaining flexibility. These layers are tied together with a hand-welded coupler ring, and are factory pressure-tested for zero leaks.

Ready for Anything

FLEX-ING™ FIREFLEX Flexible Connectors are available in a multitude of end connections to ensure the right fit for any application - including tees, elbows and FRP transitions. Standard male and female end connections with integrated hex-head surfaces provide easy installation and tightening. The male swivel end connection option allows for the ultimate in ease of installation. The male swivel end connection option features a three-gasket, x-ring seal design. This adds up to a total of six seals, eliminating potential leak paths.

EZ Fit Flexible Connectors

The EZ FIT union style coupling system is specifically designed to make connections in confined spaces simple and tight. The entire flexible connector assembly can be quickly and easily disconnected and pulled out of the inline system without breaking pipe. This feature makes installation fast and regular maintenance simple to carry out. Each EZ FIT union style coupling comes complete with couplers and gaskets..

SPECIFICATIONS

- USA NFPA 30-A fire rated
- All metal construction means one flexible connector for both above and below ground applications
- An 18-8 alloy outer shell, 321 Stainless Steel inner core provides a long service life
- Thick, schedule 80 hex end fittings protect against deformation of the ends
- 100% pressure tested to assure quality
- UL 2039 listed for 50psi working pressure
- EZ FIT clamp and gasket are included with each assembly

Certifications

- UL 2039 listed for above and below ground installation; for use with gasoline, gas alcohol blends (up to E85), diesel and biodiesel.

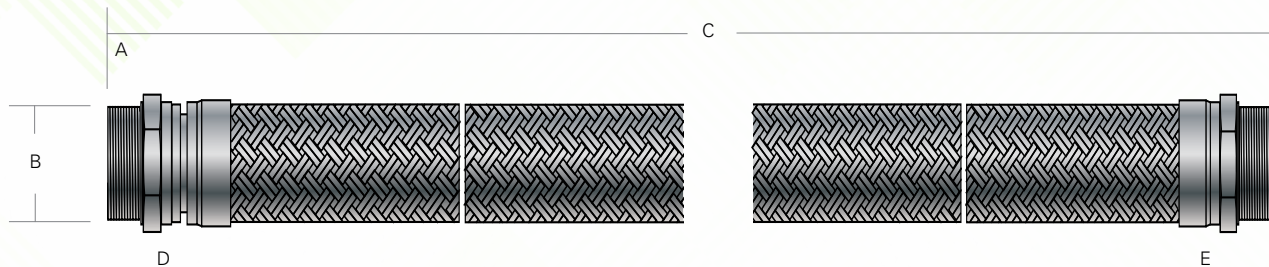


ORDERING INFORMATION

Use these diagrams below along with the Ordering Guide at the bottom of the page to help you build your flexible connector model numbers.

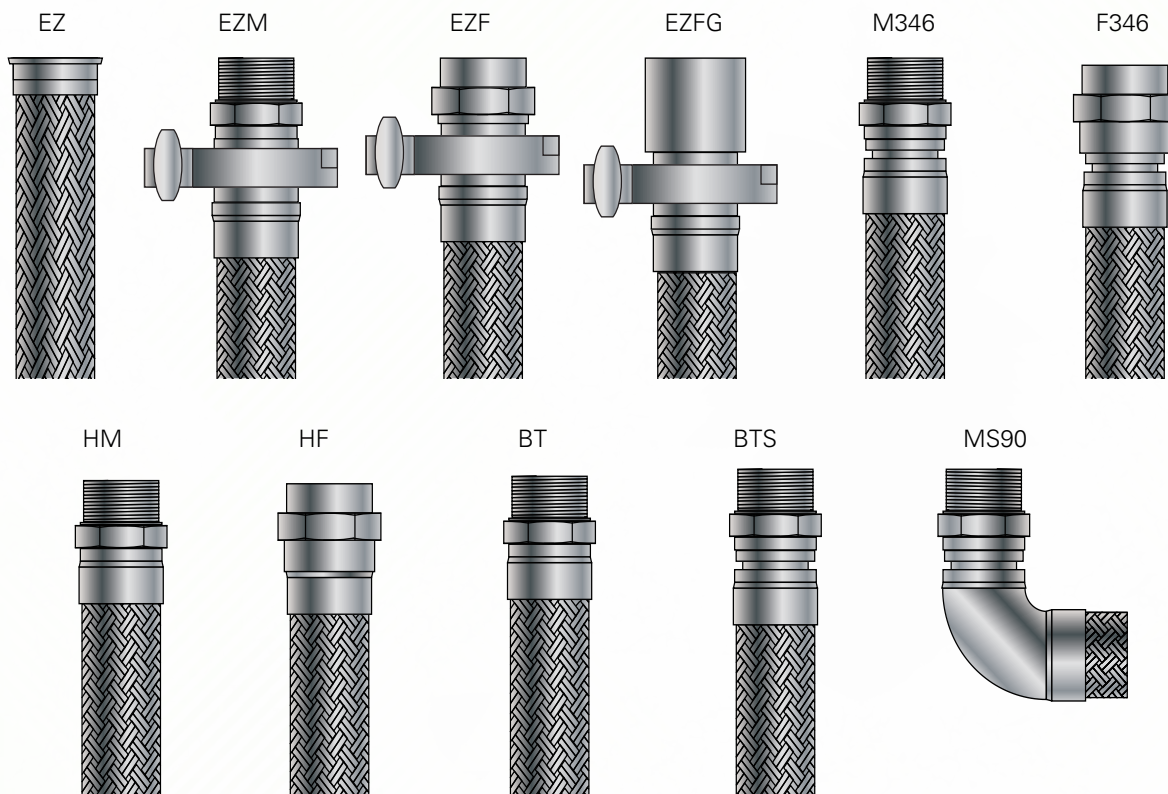
Ordering Options Diagram

Use the options and descriptions in the Ordering Guide along with this diagram to assist in building your model numbers.



End Fitting Options

Use the options and descriptions in the Ordering Guide along with the diagrams below to select your end fitting types (two total).



ORDERING INFORMATION CONTINUED

Ordering Guide

A B X C D X E

- A = Product Type
 - FF = If either of the end connections are any type of swivel, this option must be selected.
 - FFUL = If both end connections are fixed (non-swivel), this option must be selected.
- B = Hose Diameter
 - 07 = ¾"
 - 10 = 1"
 - 15 = 1½"
 - 20 = 2"
 - 30 = 3"
 - 40 = 4"
- C = Overall Length in Inches
 - Use two-digit format

- D & E = End Fitting Options
 - EZ = EZ FIT flange only
 - EZM = EZ FIT male NPT (Each EZ FIT union style coupling comes complete with couplers and gaskets)
 - EZF = EZ FIT female NPT (Each EZ FIT union style coupling comes complete with couplers and gaskets)
 - EZFG = EZ FIT fibreglass glue pipe (Each EZ FIT union style coupling comes complete with couplers and gaskets)
- M346 = Male swivel NPT
- F346 = Female swivel NPT
- HM = Hex male fixed NPT
- HF = Hex female fixed NPT
- BT = Hex male fixed BSPT
- BTS = Male swivel BSPT
- MS90 = 90° with male swivel NPT

Example: FF20X18M346XHM = FIREFLEX flexible connector with swivel end fitting(s), 2" hose diameter, 18" overall length, with one male swivel end fitting and one fixed hex male end fitting.

Note: Additional options are available. If the options you need are not show, contact Customer Service for assistance.

Common Models

You can also select from the following most-common flexible connector model numbers.

Vertical Connection into Bottom of 362 Series Vapour or 662 Series Product Shear Valve

| Model | Description | Metric Length |
|--|---------------|---------------|
| FIREFLEX 1-1/2"X10" Fixed male by swivel male-BSPT | FF15X10BTXBTS | 250 mm |
| FIREFLEX 1-1/2"X12" Fixed male by swivel male-BSPT | FF15X12BTXBTS | 300 mm |
| FIREFLEX 1-1/2"X14" Fixed male by swivel male-BSPT | FF15X14BTXBTS | 350 mm |
| FIREFLEX 1-1/2"X16" Fixed male by swivel male-BSPT | FF15X16BTXBTS | 400 mm |
| FIREFLEX 1-1/2"X18" Fixed male by swivel male-BSPT | FF15X18BTXBTS | 450mm |
| FIREFLEX 1-1/2"X20" Fixed male by swivel male-BSPT | FF15X20BTXBTS | 500 mm |
| FIREFLEX 1-1/2"X24" Fixed male by swivel male-BSPT | FF15X24BTXBTS | 600 mm |
| FIREFLEX 2"X10" Fixed male by swivel male-BSPT | FF20X10BTXBTS | 250 mm |
| FIREFLEX 2"X12" Fixed male by swivel male-BSPT | FF20X12BTXBTS | 300 mm |
| FIREFLEX 2"X14" Fixed male by swivel male-BSPT | FF20X14BTXBTS | 350 mm |
| FIREFLEX 2"X16" Fixed male by swivel male-BSPT | FF20X16BTXBTS | 400 mm |
| FIREFLEX 2"X18" Fixed male by swivel male-BSPT | FF20X18BTXBTS | 450mm |
| FIREFLEX 2"X20" Fixed male by swivel male-BSPT | FF20X20BTXBTS | 500 mm |
| FIREFLEX 2"X24" Fixed male by swivel male-BSPT | FF20X24BTXBTS | 600mm |

Connection at Pump Manifold - All NPT

| Model | Description | Metric Length |
|---|----------------|---------------|
| FIREFLEX 2" X 15" Fixed Hex male x welded 90 elbow w/ Swivel male-NPT | FF20X15HMXMS90 | 375 mm |
| FIREFLEX 2" X 18" Fixed Hex male x welded 90 elbow w/ Swivel male-NPT | FF20X18HMXMS90 | 450 mm |
| FIREFLEX 2" X 24" Fixed Hex male x welded 90 elbow w/ Swivel male-NPT | FF20X24HMXMS90 | 600 mm |



ORDERING INFORMATION CONTINUED

Connection at Pump Manifold - NPT Pump End, BSPT Pipe End

| Model | Description | Metric Length |
|--|----------------|---------------|
| FIREFLEX 2" X 24" Fixed Hex male-BSPT x welded 90 elbow w/ Swivel male-NPT | FF20X24BTXMS90 | 600 mm |

Specialty FIREFLEX Flexible Connectors

MOC Specified Product for Connection at Pump Manifold - NPT Pump End, Square Face Flange on Pipe End

| Model | Description | Metric Length |
|---|----------------------|---------------|
| FIREFLEX 2" X 13" SS Ball Valve w/ UPP® Brass Sq. Face Flange on one end, Male swivel on other X welded 90 to male swivel-NP | FF20X13SFBVSSMSXMS90 | 325 mm |
| FIREFLEX 2" X 16" SS Ball Valve w/ UPP® Brass Sq. Face Flange on one end, Male swivel on other X welded 90 to male swivel-NPT | FF20X16SFBVSSMSXMS90 | 400 mm |
| FIREFLEX 2" X 18" SS Ball Valve w/ UPP® Brass Sq. Face Flange on one end, Male swivel on other X welded 90 to male swivel-NPT | FF20X18SFBVSSMSXMS90 | 450 mm |
| FIREFLEX 2" X 20" SS Ball Valve w/ UPP® Brass Sq. Face Flange on one end, Male swivel on other X welded 90 to male swivel-NPT | FF20X20SFBVSSMSXMS90 | 500 mm |
| FIREFLEX 2" X 22" SS Ball Valve w/ UPP® Brass Sq. Face Flange on one end, Male swivel on other X welded 90 to male swivel-NPT | FF20X22SFBVSSMSXMS90 | 550 mm |
| FIREFLEX 2" X 24" SS Ball Valve w/ UPP® Brass Sq. Face Flange on one end, Male swivel on other X welded 90 to male swivel-NPT | FF20X24SFBVSSMSXMS90 | 600 mm |
| FIREFLEX 2" X 30" SS Ball Valve w/ UPP® Brass Sq. Face Flange on one end, Male swivel on other X welded 90 to male swivel-NPT | FF20X30SFBVSSMSXMS90 | 750 mm |

Flexible Connectors with Differing Hose and End Fitting Diameters

All end fittings are, by default, the same diameter as the hose. If you require a flexible connector where the end fitting diameter does not match the hose diameter, the size must be indicated numerically in front of the corresponding fitting as in the following example.

Example : FFUL15X18HMX2HM = FIREFLEX flexible connector with fixed end fittings, 1½" hose diameter, 18" overall length, with one 1½" hex male fixed end fitting and one 2" hex male fixed end fitting.

Rules:

- End fitting diameters can not be smaller than hose diameters.
- Only one hose fitting per flexible connector can be of a different diameter than the hose diameter.
- End fitting diameter must only be one size larger than hose (1" hose could use 1½" fitting, 1½" hose could use 2" fitting, etc.)



ISOLATION ACCESSORIES

These protective sleeves are constructed with durable, state-of-the-art engineered polymers which are resistant to fuels and other corrosive materials to provide an extended service life.

ORDERING INFORMATION CONTINUED

Yellow Jacket Easy Fit Boot

The Yellow Jacket Easy Fit Boot features a Velcro™ seal making it easy to install on existing piping systems or new installations.

| Model | Description |
|-------------|--|
| YJVSLEEVE | 30" Yellow Jacket Easy Fit boot with Velcro™ seal |
| YJVSLEEVE25 | 25' Yellow Jacket Easy Fit boot with Velcro™ seal |
| YJVSLEEVE50 | 50' Yellow Jacket Easy Fit boot with Velcro™ seal |
| YJVSLEEVEII | 30' Yellow Jacket Easy Fit boot with Velcro™ seal, adhesive, straps and two mounting collars |

Yellow Jacket Heat Shrink Wrap

| Model | Description |
|--------|------------------------------------|
| YJHS03 | 36" Yellow Jacket heat shrink wrap |
| YJHS20 | 20' Yellow Jacket heat shrink wrap |
| YJHS50 | 50' Yellow Jacket heat shrink wrap |

Yellow Jacket Boot

The Yellow Jacket Boot has the ability to be pulled back while the connection is being made and then slide back in place to seal off.

| Model | Description |
|---------------|---|
| YJ32BOOT | 3½" ID x 30" Yellow Jacket boot |
| YJ32BOOTKIT25 | 3½" ID x 30" Yellow Jacket boot boot, adhesive, straps and two mounting collars |

Heat Shrink Flex Wrap

| Model | Description |
|---------------|------------------------------|
| FLEXWRAP47X03 | 4.7" x 3' heat shrink sleeve |





ANTI SYPHON VALVES

EBW® anti syphon valves are recommended for all aboveground storage applications to prevent fuel from exiting the storage tank in the event of a broken line or leak.

The anti syphon valves shut off product flow when lines are broken, preventing fuel spillage and fire hazards. Each valve has an adjusting mechanism allowing for various liquid head pressure settings within the valve range. The adjusting mechanism is lockable after the preferred setting is made. EBW® anti syphon valves are set to maximum head pressure when shipped from the factory. The anti syphon valve also includes a pressure relief valve, eliminating thermal expansion of fluid in the lines.

HIGHLIGHTS

- Hydrostatic pressure adjusting mechanism with durable weather cap.
- Built in thermal expansion pressure relief valve.
- 3/4" and 1" models are ideal for fuel oil and generator applications.
- Can be used in pressure systems.
- NFPA 30.
- API/RP 2000.

| Model | Size | | Thread | Weight | |
|-----------|------|-------|--------|--------|------|
| | In. | mm | | Lbs. | kg |
| 60530001 | 0.75 | 19.02 | NPT | 3.4 | 1.54 |
| 60630001 | 1 | 25.4 | NPT | 3.2 | 1.45 |
| 61630003 | 1.5 | 38.1 | NPT | 4.6 | 2.09 |
| 61630001 | 1.5 | 38.1 | NPT | 4.6 | 2.09 |
| 61630002 | 1.5 | 38.1 | NPT | 4.6 | 2.09 |
| 63630011* | 2 | 50.8 | NPT | 7.2 | 3.27 |
| 63630012* | 2 | 50.8 | NPT | 7.2 | 3.27 |
| 63630031* | 2 | 50.8 | BSPT | 7.08 | 3.22 |
| 63630032* | 2 | 50.8 | BSPT | 7.08 | 3.22 |

*Alcohol, gas, biofuel compatible

SPECIFICATIONS

Materials

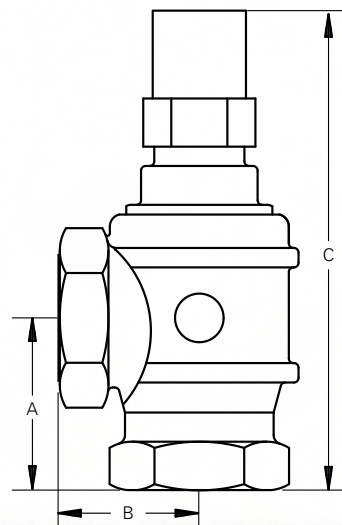
- Body: ductile iron-zinc plated.
- Spring: zinc plated steel.
- Adjustment screw: stainless steel.
- Disc: fluorocarbon seal.

Approvals

- UL Listed

ORDERING INFORMATION

| Model | Description |
|------------|---|
| 605-300-01 | ¾" NPT anti syphon valve, 0' to 12' head pressure |
| 606-300-01 | 1" NPT anti syphon valve, 0' to 12' head pressure |
| 616-300-03 | 1½"NPT anti syphon valve, 0' to 5' head pressure |
| 616-300-01 | 1½" NPT anti syphon valve, 5' to 12' head pressure |
| 616-300-02 | 1½" NPT anti syphon valve, 12' to 25' head pressure |
| 636-300-11 | 2" NPT anti syphon valve, 5' to 12' head pressure, AGB compatible |
| 636-300-12 | 2" NPT anti syphon valve, 12' to 25' head pressure, AGB compatible |
| 636-300-31 | 2" BSPT anti syphon valve, 5' to 12' head pressure, AGB compatible |
| 636-300-32 | 2" BSPT anti syphon valve, 12' to 25' head pressure, AGB compatible |



*Alcohol, gas, biofuel compatible (E-85, gasoline and biodiesel) models come with E-coated body for full compatibility.



PRESSURE REGULATOR VALVES

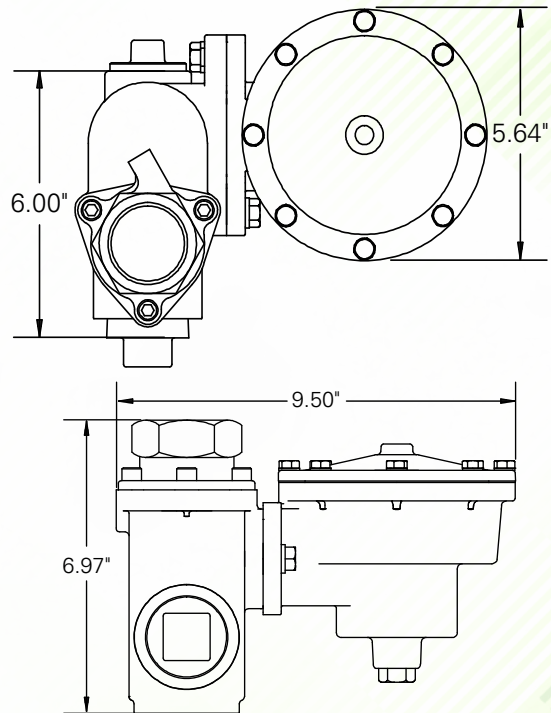
The EBW® 664 pressure regulator valve is designed to be used in conjunction with suction type dispensers connected to an above-ground storage tank. The pressure regulator valve prevents fuel from flowing to the pumping unit and flowing out the vent tube of the self-contained dispenser when the pump is not activated. The pressure regulator valve is a vacuum actuated valve which will not allow product flow until the suction of the pumping unit opens the valve. The valve closes by means of an internal spring when pumping is complete.

HIGHLIGHTS

- Hydrostatic pressure adjusting mechanism with durable weather cap.
- Built in thermal expansion pressure relief valve.
- Shear section is standard, eliminating need for an additional shear valve.
- NFPA 30.
- API/RP 2000.

SPECIFICATIONS

- Materials**
- Body: cast iron.
 - Seals: fluorocarbon.
 - Filter: stainless steel.
 - Poppet: fluorocarbon.



ORDERING INFORMATION

| Model | Description | Weight | |
|----------|-----------------|--------|------|
| | | Lbs. | Kg |
| 66430201 | Male-NPT | 19 | 8.62 |
| 66430202 | Union | 19.3 | 8.75 |
| 66430203 | Female-NPT | 19 | 8.62 |
| 66430206 | Female-Poppeted | 19 | 8.62 |
| 66430226 | Female-BSPT | 19 | 8.62 |

| Model | Description |
|----------|---|
| 66222001 | Male replacement adapter |
| 66222101 | Union replacement adapter |
| 66222201 | Female replacement adapter for 66430203 |
| 66421101 | Female Replacement Adaptor for 66430206 |
| 66430401 | Mounting bracket |





WARDEN® AST OVERFILL PREVENTION VALVE

The EBW Warden® is designed to provide a positive shut-off during a pressurised fill delivery on an aboveground storage tank. It eliminates spills and overfills, avoiding costly cleanup expenses and ground contamination. The Warden® is fully adjustable to provide shut-off in various height and capacity aboveground tanks. It is designed to fit into a 4" fill riser, making installation on new and existing locations simple and quick. Designed with inverted floats for use in small or large rectangular tanks. Requires 4" minimum ullage.

Note: The Warden® is recommended for use with clean product only. Contaminated product may cause erratic operation or valve failure.

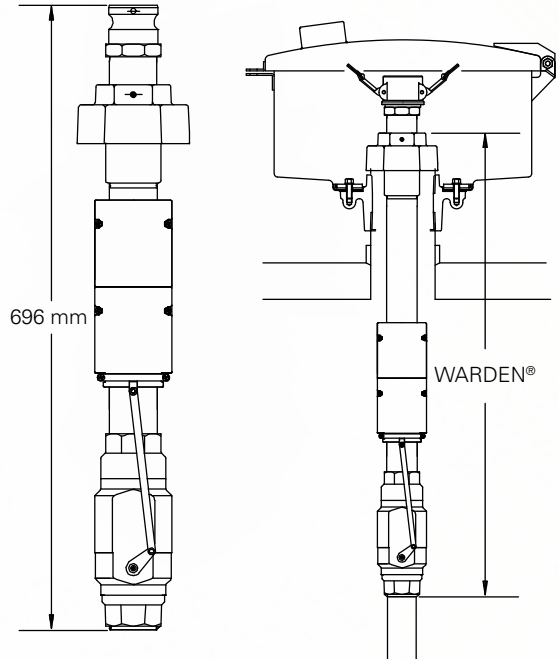
HIGHLIGHTS

- Cylindrical float design eliminates interference with tank walls and cross braces.
- 6.9 bar working pressure rating.
- Flow rate 757 L/min at 1.38 bar.
- No minimum flow rate.
- Ships complete with upper nipple and tight fill adapter with crossbar to prevent open fills.
- Simply thread onto a 4" riser pipe to install. Length of upper tube determines shut-off point.

SPECIFICATIONS

Materials

- Valve body: aluminium 356-T6.
- Poppet: aluminium 356-T6.
- Shaft: stainless steel.
- Float: high density polyethylene.
- Nipple: epoxy coated black iron pipe.



ORDERING INFORMATION

| Model | Description | Weight | |
|----------|---|--------|------|
| | | Lbs. | Kg |
| 70942001 | Warden®, 4" overfill with inverted floats | 12.5 | 5.67 |
| 77421220 | 2" dust cap | 1.25 | 0.57 |



TANK VENTS

EBW® tank vents are designed to provide an open path for vapours from an underground or aboveground storage tank to the atmosphere.

HIGHLIGHTS

- Dome-shaped top design drains off moisture including rain, snow and ice.
- 30 mesh prevents dirt and debris from entering vent lines.

SPECIFICATIONS

Materials

- Body: aluminium.
- Lid: zinc plated steel.
- Seal: brass.

ORDERING INFORMATION

| Model | Description | Pack | | Weight | |
|----------|---|------|-----|--------|------|
| | | mm | In. | Kg | Lbs. |
| 80020702 | Vent Cap Aluminium Upward Discharge 2" Screw Fixing | 51 | 2 | 0.42 | 1 |
| 80020301 | Vent Cap Aluminium Upward Discharge 3" Screw Fixing | 76 | 3 | 0.54 | 1.19 |



DOWNWARD TANK VENTS

EBW® tank vents are designed to provide an open path for vapours from an underground or aboveground storage tank to the atmosphere.

HIGHLIGHTS

- Dome-shaped top design drains off moisture including rain, snow and ice.
- 30 mesh prevents dirt and debris from entering vent lines.

SPECIFICATIONS

Materials

- Body: aluminium.
- Lid: zinc plated steel.
- Seal: brass.

ORDERING INFORMATION

| Model | Description | Pack Size | Kg | Lbs. |
|------------|--|-----------|------|------|
| VENT CAP 2 | Vent Cap Aluminium Down Discharge 1.5"/2" BSPT | 24 | 0.54 | 1.19 |

Designed with two sets of female threads to engage a 1-1/2" or 2" [MC] BSPT male thread vent riser in same enclosure.





PRESSURE VACUUM VENTS

EBW® pressure vacuum vents are used on storage tank vent pipes to discharge vapours upward into the atmosphere. The top casting is dome-shaped to quickly drain off moisture including rain, snow and ice. Body and cover are cast aluminium. 2" and 3" models have vent rates of 8000 cubic feet per hour, and produce 8.0 ounces of pressure and 0.5 ounces of vacuum.

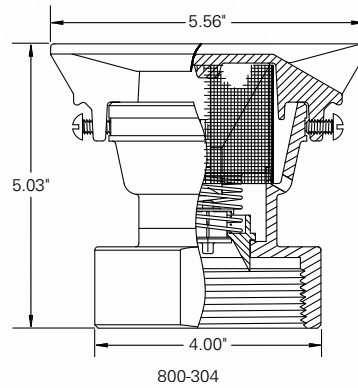
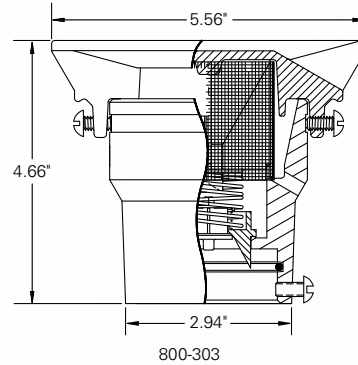
HIGHLIGHTS

- Two model types available, NPT/BSPT threads or O-ring with locking screw.
- NFPA 30°

SPECIFICATIONS

Materials

- Body: aluminium.
- Poppet: acetal.
- Spring: stainless steel.
- Screws: zinc plated steel.
- Screen: brass.
- These vents should not be used on UST with a throughput of 100,000 gallons or more per month (per 40 CFR 63 subpart CCCCCC)..



ORDERING INFORMATION

| Model | Description | Size | | Weight | |
|----------|---|------|-----|--------|------|
| | | mm | In. | Kg | Lbs. |
| 80230301 | PV Valve Aluminium Upward Discharge 2" NPT | 51 | 2 | 0.85 | 1.88 |
| 80230321 | PV Valve Aluminium Upward Discharge 2" BSPT | 51 | 2 | 0.85 | 1.88 |
| 80230302 | PV Valve Aluminium Upward Discharge 2" Screw Fixing | 51 | 2 | 0.83 | 1.84 |



NPT ANGLE

Angle check valves are used on suction system fuel lines to maintain prime. EBW® angle check valves are installed at the top of an underground storage tank suction line. Single poppet models are typically used where access to the valve is readily available.

SPECIFICATIONS

Materials

- Body: zinc plated cast iron.
- Seat: brass.
- Poppet: brass.
- NPT: brass.
- Spring: stainless steel.

ORDERING INFORMATION

| Model | Pack | | Poppet Type | Weight | |
|----------|------|--|-------------|--------|------|
| | In. | | | Kg | Lbs. |
| 63520101 | 2 | | Single | 3.3 | 7.25 |



1.5" UNION

EBW® union check valves are designed to be installed into an existing union to temporarily stop the loss of prime due to damaged foot valves, angle check valves, or vertical check valves in a suction system fuel line.

HIGHLIGHTS

- Spring-loaded poppet.
- Open construction design allows for free flow of product.
- With or without protective screen.

SPECIFICATIONS

Materials

- Body: bronze.
- Poppet: acetal.
- Seal: fluorocarbon.
- Spring: stainless steel.
- Screen: brass.

ORDERING INFORMATION

| Model | Pack | | Screen | Weight | |
|----------|------|------|--------|--------|------|
| | In. | mm | | Lbs. | Kg |
| 65010402 | 1.5 | 38.1 | Yes | 0.5 | 0.23 |
| 65010802 | 1.5 | 38.1 | No | 0.5 | 0.23 |





DEFENDER SERIES® BUNDLE PACKAGES

Combine Defender Series® spill containers, overfill prevention valves (OPVs), and riser, cap, and adapters into a single part number and receive a 10% discount* compared to purchasing all components separately.

HIGHLIGHTS

- Get a premium Defender Series® solution from grade level to tank for fill point and overfill release prevention.
- Components are designed together to work as an optimized system.
- An easy fill point solution to help comply with new UST Federal regulations.

ORDERING INFORMATION

Components

1. Defender Series® spill container
2. Defender Series® overfill prevention valve
3. Riser, cap, and adapter

Ordering Guide

A B C

A = Spill Container

Select from the spill container MODEL numbers below

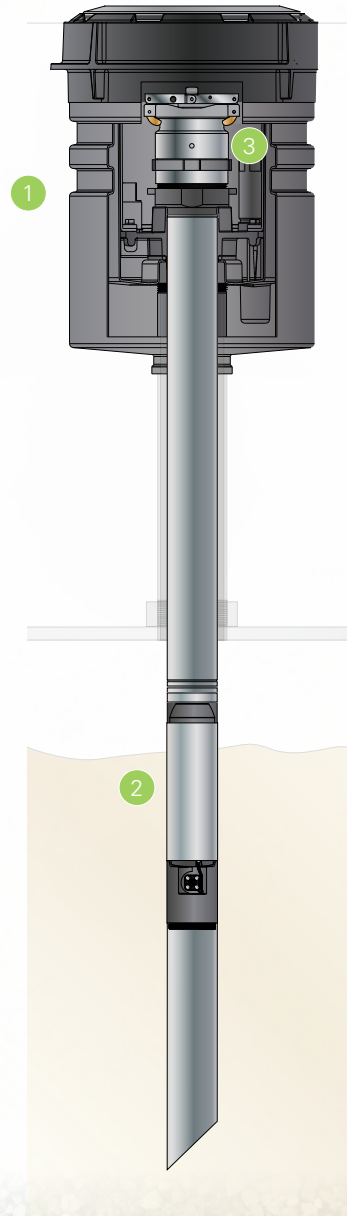
B = Overfill Prevention Valve

Select the ALPHA character below which corresponds with the appropriate OPV

C = Riser, Cap, and Adapter

- 1 = Stainless steel swivel fill adapter, cap, and nipple
- 2 = No riser, cap, or adapter

* Item 70541202 includes the SWF-100-SS Swivel Fill Adaptor, 70521307 – Close nipple 4" NPT 2.88" and 77720102 – Top seal cap 4", AGB
Example: 705545001A1 = Defender Series® 5 gallon spill container, single wall, NPSM thread, with drain, with gray epoxy-coated cast iron gasketed lid with Defender Series® overfill prevention valve with 5' top drop tube, 8' bottom drop tube with Stainless steel swivel fill adapter, cap, and nipple



ORDERING INFORMATION

Defender Series® Spill Containers

| Model | Description |
|-----------|---|
| 705545001 | Defender Series® 5 gallon spill container, single wall, NPSM thread, with drain, with gray epoxy-coated cast iron gasketed lid |
| 705545002 | Defender Series® 5 gallon spill container, single wall, NPSM thread, without drain, with gray epoxy-coated cast iron gasketed lid |
| 705545011 | Defender Series® 5 gallon spill container, single wall, NPT thread, with drain, with gray epoxy-coated cast iron gasketed lid |
| 705545012 | Defender Series® 5 gallon spill container, single wall, NPT thread, without drain, with gray epoxy-coated cast iron gasketed lid |
| 705545021 | Defender Series® 5 gallon spill container, single wall, BSPT thread, with drain, with gray epoxy-coated cast iron gasketed lid |
| 705545022 | Defender Series® 5 gallon spill container, single wall, BSPT thread, without drain, with gray epoxy-coated cast iron gasketed lid |
| 705555101 | Defender Series® 5 gallon spill container, double wall, NPSM thread, with drain, with I2 monitor, with gray epoxy-coated cast iron gasketed lid |
| 705555102 | Defender Series® 5 gallon spill container, double wall, NPSM thread, without drain, with I2 monitor, with gray epoxy-coated cast iron gasketed lid |
| 705555111 | Defender Series® 5 gallon spill container, double wall, NPT thread, with drain, with I2 monitor, with gray epoxy-coated cast iron gasketed lid |
| 705555112 | Defender Series® 5 gallon spill container, double wall, NPT thread, without drain, with I2 monitor, with gray epoxy-coated cast iron gasketed lid |
| 705555121 | Defender Series® 5 gallon spill container, double wall, BSPT thread, with drain, with I2 monitor, with gray epoxy-coated cast iron gasketed lid |
| 705555201 | Defender Series® 5 gallon spill container, double wall, NPSM thread, with drain, with TSP-ULS sensor, with gray epoxy-coated cast iron gasketed lid |
| 705555202 | Defender Series® 5 gallon spill container, NPSM thread, without drain, with TSP-ULS sensor, with gray epoxy-coated cast iron gasketed lid |
| 705555211 | Defender Series® 5 gallon spill container, double wall, NPT thread, with drain, with TSP-ULS sensor, with gray epoxy-coated cast iron gasketed lid |
| 705555212 | Defender Series® 5 gallon spill container, NPT thread, without drain, with TSP-ULS sensor, with gray epoxy-coated cast iron gasketed lid |

Defender Series® Overfill Prevention Valves

| Model | Alpha | Description |
|-----------|-------|---|
| 708591901 | A | Defender Series® overfill prevention valve with 5' top drop tube, 8' bottom drop tube |
| 708591902 | B | Defender Series® overfill prevention valve with 5' top drop tube, 10' bottom drop tube |
| 708591921 | C | Defender Series® overfill prevention valve with 5' top drop tube, 8' bottom drop tube, AGB compatible* |
| 708591922 | D | Defender Series® overfill prevention valve with 5' top drop tube, 10' bottom drop tube, AGB compatible* |
| 708592901 | E | Defender Series® overfill prevention valve with 10' top drop tube, 8' bottom drop tube |
| 708592902 | F | Defender Series® overfill prevention valve with 10' top drop tube, 10' bottom drop tube |
| 708592921 | G | Defender Series® overfill prevention valve with 10' top drop tube, 8' bottom drop tube, AGB compatible* |
| 708592922 | H | Defender Series® overfill prevention valve with 10' top drop tube, 10' bottom drop tube, AGB compatible* |
| 708593901 | I | Defender Series® overfill prevention valve, coaxial with 6.5' top drop tube, 8' bottom drop tube |
| 708593902 | J | Defender Series® overfill prevention valve, coaxial with 6.5' top drop tube, 10' bottom drop tube |
| 708593923 | K | Defender Series® overfill prevention valve, poppoted coaxial with 6.5' top drop tube, 8' bottom drop tube, AGB compatible* |
| 708593924 | L | Defender Series® overfill prevention valve, poppoted coaxial with 6.5' top drop tube, 10' bottom drop tube, AGB compatible* |

*Alcohol, gas, biofuel compatible (E-85, gasoline and biodiesel) models come with hard coated anodized drop tubes for full compatibility.



TOOLS

EBW® tank tools make installation faster, safer and easier. These heavy duty tools can be used for removal as well as installation, on new or existing systems. Hard-to-reach fill adapters are easily removed or installed with the EBW® heavy duty chain wrench. It features a 3/4" drive to reach adapters located below grade level or in other difficult locations. EBW® extractor wrenches were designed to easily remove or install valves, test plugs and pipe caps. The 321-100 is used with the EBW® extractor foot valve, extractor vent valves and most competitor extractor fittings.

- Heavy duty construction.
- Wrench has cast iron head with steel chain.
- Wrench is steel constructed.



| Model | Description | Application | Weight | |
|----------|----------------------|--------------------|--------|-----|
| | | | Lbs. | Kg |
| 32110001 | 60" extractor wrench | Remove and install | 14 | 6.4 |
| 90110101 | 3/4" chain wrench | Remove and install | 3 | 1.4 |

The T-6100-FT flaring tool reduces the installation time for 4" aluminium fill drop tubes. This flaring tool cuts and flares the tube in less than 10 minutes. Eliminates drilling, bolting and epoxying a factory-supplied drop tube.

- Cut tube.
- Flare tube.
- Fix small dents on tube.
- No drill required.



| Model | Description |
|-----------|---|
| T-6100-FT | Flaring tool kit for flaring drop tubes |

Note: May require two week lead time, consult factory.

This 4" x 4" threaded riser adapter installs at the top of the 4" field-installed tank riser for a precision sealing surface for spill containers and probe adapters. Adds 1-3/4" to riser length.

- Patent number 6,840,549 B1.
- EVR Phase 1 Certification VR-101.
- Tracer tight approved.
- Missouri MOPETP approved APCP-0002-001-99.



| Model | Description |
|---------|--------------------------------|
| M/F 4x4 | 4" x 4" threaded riser adapter |

Alignment brackets to keep riser pipes supported at 16" or centre-to-centre separation for alignment into multi-port cover.

- EVR Phase 1 Certification VR-101.
- Missouri MOPETP approved APCP-0002-001-99.



| Model | Description |
|--------|--|
| M-1600 | Riser alignment bracket for 16" centre |

INSTALLATION TOOLS

Designed to install and remove Phil-Tite and competitive make spill containers and swivel adapters. Each tool is colour-coded to perform specific functions.

| Model | Purpose |
|----------------|--|
| Black adapter | Phil-Tite spill containers |
| Orange adapter | Phil-Tite fill and vapour swivel adapters and M/F 4x4 riser adapters |
| T-handle | Attaches to colour-coded tools |
| Allen wrench | Removes screw protecting threaded openings for jackscrews |

| Model | Description |
|-----------|---|
| T-7001 | T-handle for installation tool kit |
| T-7002-A | Black heavy duty adapter used to install removable Phil-Titespill buckets |
| T-7002-HD | Heavy duty spill bucket removal tool, includes T-7002-A adapter and T-handle with handle weights |
| T-7043 | Tool kit required to install a Phil-Tite spill container, tool kit items listed above |
| T-7100 | Red adapter tool used to remove old fill non-swivel adapters with lugs |
| T-7102 | Orange adapter tool, used to remove or install SWF-100-B and SWV-101-B swivel adapters and M/F 4x4 riser adapters |
| T-7103 | Blue adapter tool, used to install OPW tall swivel adapters |
| T-7104 | Green torque adapter tool for static torque testing on any swivel adapter |
| T-7200 | Cast iron cover removal tool |
| T-7106 | Defender Series® spill container installation tool |
| T-7107 | Defender Series® spill container double wall vacuum test kit |



Keeps debris out of the filter area of the spill container. Easily removed and cleaned.

- EVR Phase 1 Certification VR-101.
- Missouri MOPETP approved APCP-0002-001-99.

| Model | Description |
|-------------|----------------------------|
| PP-1005-TB | Debris bucket without pump |
| PP-1005-TBP | Debris bucket with pump |



Designed for separation and orderly support of piping runs. Intended to be buried for permanent installation.

| Model | Description |
|--------|------------------------------------|
| 48-409 | Styrofoam piping supports, 20-pack |



Used to ease the removal of cast iron covers.

| Model | Description |
|--------|------------------------------|
| T-7200 | Cast iron cover removal tool |





PIPE GUARDS & BOLLARDS

Protect property and avoid costly damage to dispensers with these schedule 40 pipe guards and bollards.

HIGHLIGHTS

- Available in straight pipe or double radius.
- Schedule 40 pipe construction.
- Primer finished, ready for your custom paint.
- Stainless steel mill finish available upon request.
- Bollards available with or without caps.

ORDERING INFORMATION

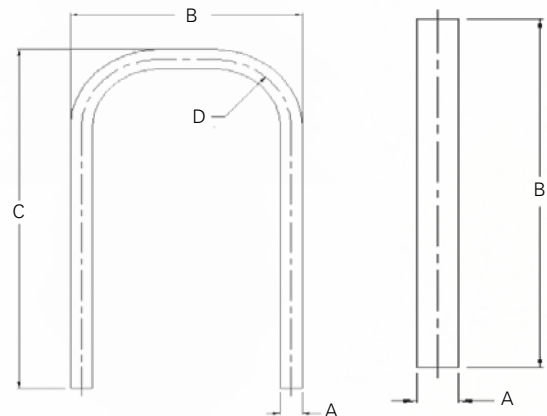
U-Shaped Pipe Guards

| Model | A | B | C | D |
|-------------|------|-----|-----|-----|
| BGU35565414 | 3.5" | 36" | 54" | 14" |
| BGU35415314 | 3.5" | 41" | 53" | 14" |
| BGU35485014 | 3.5" | 48" | 50" | 14" |
| BGU40365614 | 4.0" | 36" | 56" | 14" |
| BGU40415314 | 4.0" | 41" | 53" | 14" |
| BGU40417414 | 4.0" | 41" | 74" | 14" |
| BGU40435414 | 4.0" | 43" | 54" | 14" |
| BGU40485114 | 4.0" | 48" | 51" | 14" |

Bollards

| Model | A | B |
|---------|------|-----|
| BGS4042 | 4.0" | 42" |
| BGS4063 | 4.0" | 63" |
| BGS4072 | 4.0" | 72" |
| BGS6063 | 6.0" | 63" |
| BGS6072 | 6.0" | 72" |
| BGS6084 | 6.0" | 84" |

Note: Do not store primed units outside as primer alone will not prevent rust when exposed to elements





REMOTE FILL BOX

These stainless steel remote fill boxes house valves, fittings and connectors required for the remote filling of underground storage tanks. The remote fill boxes are available in a variety of configurations, connection sizes and mounting styles and can be ordered as pre-plumbed (including valves, fittings, and connectors) or not plumbed.

HIGHLIGHTS

- Lockable door.
- Hand pump with shut-off valve.
- Inlet connection with quick couplers and dust caps.
- Internal pre-plumbed check valves, fittings and shut-off valves.
- Wall or post-mount brackets.
- Optional vapour recovery bracket.
- Available with 2" or 3" threaded connections.
- Carbon steel version also available.

ORDERING INFORMATION

| Model | Description | Height | Depth | Width |
|------------|---------------------------------------|--------|--------|--------|
| RFBP-TOP | 3" pre-plumbed box, top inlet | 643 mm | 648 mm | 515 mm |
| RFBP-REAR | 3" pre-plumbed box, rear inlet | 643 mm | 648 mm | 515 mm |
| RFBNP-TOP | 3" box only (not plumbed), top inlet | 643 mm | 648 mm | 515 mm |
| RFBNP-REAR | 3" box only (not plumbed), rear inlet | 643 mm | 648 mm | 515 mm |

WALL MOUNT REMOTE FILL BOX

The wall mount remote fill boxes feature a stainless steel enclosure design which houses valves, fittings and connectors required for the remote filling of underground tanks. The wall mount model is designed for external building wall applications.

HIGHLIGHTS

- 14 gauge stainless steel construction.
- Hinged access door with gasket.
- Lockable handle.
- 18" deep spill compartment.
- ¾" NPT drain connection.

ORDERING INFORMATION

| Model | Description | Height | Depth | Width |
|-----------|----------------------------|--------|--------|--------|
| RFBP-WALL | Wall mount remote fill box | 643 mm | 648 mm | 515 mm |



FLEXIBLE CONNECTORS FOR DEF/ADBLUE®

FLEX-ING™ brand diesel exhaust fluid flexible connectors allow you to easily connect a pipework system to other systems components such as submersible pumps. Installers love their ease of installation while station owners have come to depend on their durability and how easy they make regular maintenance. The all-stainless steel construction provides complete compatibility with DEF (Diesel Exhaust Fluid)/AdBlue®. With tons of available options, Franklin Fueling Systems has the right connector to fit any application.

HIGHLIGHTS

- The corrugated DEF/AdBlue® contact layers feature a 25% thicker metal construction and gain flexibility from having more corrugations per foot rather than thinner walls.
- Enclosing the corrugated DEF/AdBlue® contact layer is a stainless steel braid that is manufactured from only high-grade stainless steel.
- The EZ FIT union style coupling system is specifically designed to make connections in confined spaces simple and tight.
- Each EZ FIT male and female union style coupling comes complete with couplers and gaskets.

SPECIFICATIONS

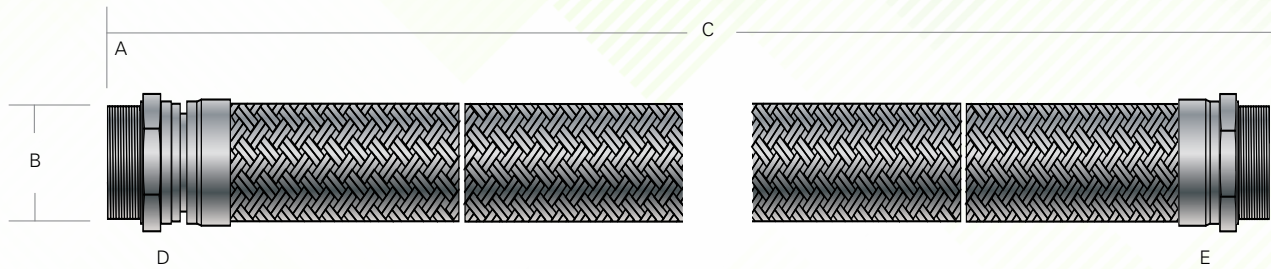
- All metal construction means one flexible connector for both above and below ground applications
- An 18-8 alloy outer wrap, 321 Stainless Steel inner core provides a long service life
- Thick, schedule 80 hex end fittings protect against deformation of the ends
- 100% pressure tested to assure quality
- 50 Psi working pressure
- EZ FIT clamp and gasket are included with each assembly
- Stainless steel fittings and EPDM gaskets are fully DEF/AdBlue® compatible

ORDERING INFORMATION

Use these diagrams below along with the Ordering Guide at the bottom of the page to help you build your flexible connector model numbers.

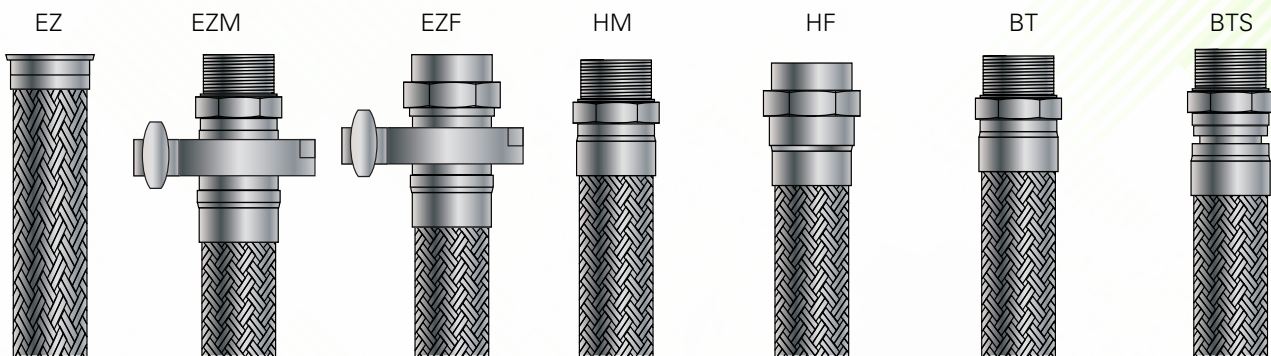
Ordering Options Diagram

Use the options and descriptions in the Ordering Guide along with this diagram to assist in building your model numbers.



End Fitting Options

Use the options and descriptions in the Ordering Guide along with the diagrams below to select your end fitting types (two total).



Ordering Guide

DEF A X B C X D

- DEF = DEF/AdBlue® Flexible Connector
 - All materials are fully compatible with DEF/AdBlue® including stainless steel fittings and EPDM seals.
- A = Hose Diameter
 - 07 = ¾"
 - 10 = 1"
 - 15 = 1½"
 - 20 = 2"
 - 30 = 3"
- B = Overall Length in Inches
 - Use two-digit format

- C & D = End Fitting Options
 - EZ = EZ FIT flange only
 - EZM = EZ FIT male NPT (Each EZ FIT union style coupling comes complete with couplers and gaskets)
 - EZF = EZ FIT female NPT (Each EZ FIT union style coupling comes complete with couplers and gaskets)
 - M = Hex male fixed NPT
 - F = Hex female fixed NPT
 - BT = Hex male fixed BSPT
 - BTF = Hex female fixed BSPT

Example: DEF20X18MXEZM = DEF flexible connector, 2" hose diameter, 18" overall length, with one hex male fixed NPT fitting on one end and one EZ FIT male NPT fitting on the other (includes EZCLAMP and EZ20GASKET-EPDM).

ORDERING INFORMATION CONTINUED

Flexible Connectors with Differing Hose and End Fitting Diameters

All end fittings are, by default, the same diameter as the hose. If you require a flexible connector where the end fitting diameter does not match the hose diameter, the size must be indicated numerically in front of the corresponding fitting as in the example below.

Rules:

- End fitting diameters can not be smaller than hose diameters.
- Only one hose fitting per flexible connector can be of a different diameter than the hose diameter.
- End fitting diameter must only be one size larger than hose (1" hose could use 1½" fitting, 1½" hose could use 2" fitting, etc.)

Example : DEF15X18MX2M = DEF flexible connector, 1½" hose diameter, 18" overall length, with one 1½" hex male fixed NPT fitting on one end and one 2" male NPT fitting on the other.

Common Models

You can also select from the following most-common flexible connector model numbers.

| Model | Description |
|---------------|---|
| DEF10X10MXEZM | DEF flexible connector, 1" hose diameter, 254 mm overall length, with one hex male fixed NPT fitting on one end and one EZ FIT male NPT fitting on the other |
| DEF10X12MXEZM | DEF flexible connector, 1" hose diameter, 305 mm overall length, with one hex male fixed NPT fitting on one end and one EZ FIT male NPT fitting on the other |
| DEF10X12MXM | DEF flexible connector, 1" hose diameter, 305 mm overall length, with one hex male fixed NPT fitting on one end and one hex male fixed NPT fitting on the other |
| DEF10X15MXM | DEF flexible connector, 1" hose diameter, 381 mm overall length, with one hex male fixed NPT fitting on one end and one hex male fixed NPT fitting on the other |
| DEF10X18MXM | DEF flexible connector, 1" hose diameter, 457 mm overall length, with one hex male fixed NPT fitting on one end and one hex male fixed NPT fitting on the other |
| DEF15X18MXEZM | DEF flexible connector, 1½" hose diameter, 457 mm overall length, with one hex male fixed NPT fitting on one end and one EZ FIT male NPT fitting on the other |
| DEF15X18MXM | DEF flexible connector, 1½" hose diameter, 457 mm overall length, with one hex male fixed NPT fitting on one end and one hex male fixed NPT fitting on the other |
| DEF20X12MXM | DEF flexible connector, 2" hose diameter, 305 mm overall length, with one hex male fixed NPT fitting on one end and one hex male fixed NPT fitting on the other |
| DEF20X18MXEZM | DEF flexible connector, 2" hose diameter, 457 mm overall length, with one hex male fixed NPT fitting on one end and one EZ FIT male NPT fitting on the other |
| DEF20X18MXM | DEF flexible connector, 2" hose diameter, 457 mm overall length, with one hex male fixed NPT fitting on one end and one hex male fixed NPT fitting on the other |
| DEF20X24MXEZM | DEF flexible connector, 2" hose diameter, 610 mm overall length, with one hex male fixed NPT fitting on one end and one EZ FIT male NPT fitting on the other |
| DEF20X24MXM | DEF flexible connector, 2" hose diameter, 610 mm overall length, with one hex male fixed NPT fitting on one end and one hex male fixed NPT fitting on the other |
| DEF20X30MXF | DEF flexible connector, 2" hose diameter, 762 mm overall length, with one hex male fixed NPT fitting on one end and one hex female fixed NPT fitting on the other |



SHEAR VALVES FOR DEF/ADBLUE®

FLEX-ING™ brand 1½" diesel exhaust fluid shear valves shut off the flow of DEF/AdBlue® in the event of a vehicle collision with a dispenser preventing an excessive and uncontrolled release into the environment. The optional e-coated mounting bracket allows installation both in containment sumps beneath the dispenser as well as direct mounting to the concrete forecourt.

HIGHLIGHTS

- Integrated wrench flats for easy installation.
- Mounting bracket kit allows for in-sump containment or flush mounting.
- Available with either 1½" NPT or BSPT inlet (bottom) and 1" NPT or BSPT outlet (top) options.

SPECIFICATIONS

- Body: Stainless steel
- Mounting bracket: E-coated steel
- Height: 3¾" (95.25 mm)
- Break force: Under 650 pound-feet (884 N-m)
- Break force within parameters established by UL842 for product shear valves.
- Must be installed with locally supplied 1" rigid pipe threaded into outlet.

ORDERING INFORMATION

| Model | Description |
|-----------|--|
| 663100001 | DEF/AdBlue® shear valve, 1½" NPT inlet, 1" outlet |
| 663100021 | DEF/AdBlue® shear valve, 1½" BSPT inlet, 1" outlet |
| 66320000 | Mounting bracket for DEF/AdBlue® shear valve including U-bolt, nuts and bracket guides |

FUEL/CHEMICAL COMPATIBILITY CHART TO EN14125:2013 (RETAIL SPECIFIC)

Automotive Fuels

- Gasohol (E1 to E10)
- Premium Unleaded Gasoline
- Regular Unleaded Gasoline
- Premium Leaded Gasoline
- Diesel

Bio-Fuels & Blends

- Ethanol 100% (Ethyl alcohol)
- E85 - Ethanol 85% + Unleaded Fuel 15%
- E70 - Ethanol 70% + Unleaded Fuel C 30%
- Ethanol 50% + reference Fuel C 50%
- Ethanol 30% + reference Fuel C 70%
- Ethanol 10% + reference Fuel C 90%
- Biodiesel 10% to 100%

Methanol Mixtures

- Methanol 100%
- Methanol 50% + Reference Fuel C 50%
- Methanol 15% + Reference Fuel C 85%

Test Fuels & Fuel Additives

- UL971 – MV,CT,HB,AM
 - ASTM Fuel C 100%
 - EN14125:2013 Fuel 1
 - EN14125:2013 Fuel 2
 - No.2 Fuel Oil
 - MTBE 10% + reference Fuel C 90%
 - MTBE 15% + reference Fuel C 85%
 - Toluene
 - AdBlue*
- * Requires stainless steel transition fittings.

Aviation & Marine Fuels

- Jet A1 (Avtur)
- JP8 (F-34)
- Methmix
- Avgas
- Kerosene

TRENCHES (WIDTH, DEPTH & FALL BACK)

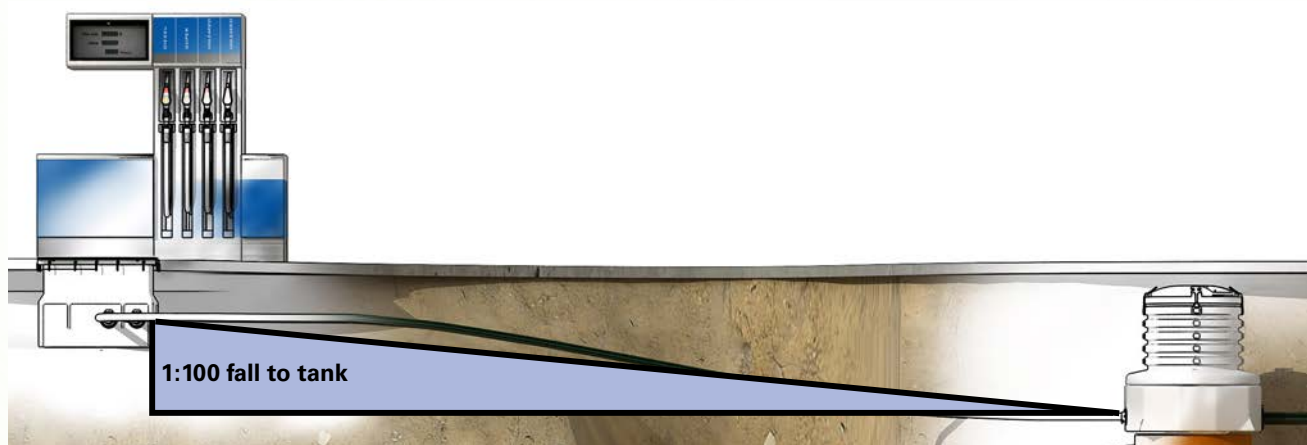
It is important to construct proper trenches before laying UPP® pipe. Trenches should be wide and deep enough to comfortably allow pipe runs, recommended spacing and backfill materials.

Recommended burial depth of UPP® pipe is a minimum of 300mm (12").

All trenches should be sloped back towards the storage tanks with a recommended gradient of 1:100.

Vapour return lines must have a slope of 1:50 (1/4" per foot) and never less than 1:100 (1/8" per ft) back towards the tank farm, unless in-line joints such as elbows are to be used.

Trench corners should contain a radius suitable for the pipe work.

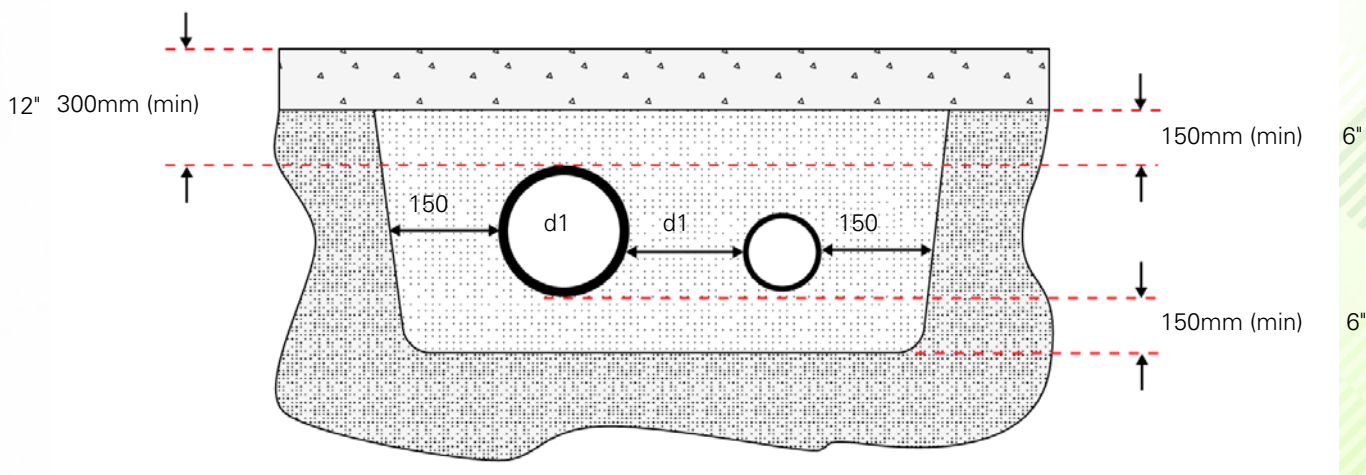


BEDDING

- A recommended 150mm (6") bed of backfill material should be laid underneath the prior to pipe installation and there must never be voids under or around the pipe.
- When laying duct onto a concrete base a 150mm (6") thick bed of compacted sand should be laid on the concrete, below the duct. (Absolute minimum amount of sand should be 50mm (2") of compacted sand).
- All beds should be laid so that the pipe will not dip or sag when it is installed.
- Underground pipe runs may be continuous or have electrofusion welded joints. Any mechanical joints or compression fittings must be inspectionable and located within a containment chamber or sump.
- UPP® pipe exceeding 12m (40ft) should be laid in a series of large snake-like curves and not in straight lines. Uncoiled pipe, when laid, will settle in a natural curve.
- Generally any thermal expansion will be accounted for by following our guidelines for spacing, backfilling and ensuring runs are not dead straight.
- Pipes should be separated from each other by at least the diameter of the largest pipe.
- If pipe-runs cross each other they must be separated by at least as much backfill material as the diameter of the largest pipe or protected by using at least 25mm (1") of styrofoam.
- If used above ground, UPP® pipe should be protected against mechanical, climatic and fire damage by wrapping it in radiation or thermal shielding tape. Additional supports and anchor points may also be required.
- Contact Franklin Fueling Systems Technical Services for more details concerning above ground installations (see page 86).

PIPE SPACING

- Bed/backfill with pea-shingle, sand or crushed rock.
- Separate pipes by the diameter of the largest pipe in the run.
- For spacers and support use:
 - Expanded polystyrene (Styrofoam).
 - Pipe off-cuts.
 - Timber/block/brick (as temporary measures).
 - Sacks of backfill.



PRESSURE / VACUUM RATING

The values listed below have been qualified by third party approvals testing.

| UPP® Extra & EN14125:2013 Pipes | Rated Pressure | | Rated Vacuum | | Typical Burst Pressure | |
|---------------------------------|----------------|-----|--------------|-------|------------------------|-----|
| | Bar | Psi | Bar | "Hg | Bar | Psi |
| Primary Pipe | 10 | 145 | -0.9 | -26.6 | 40 | 580 |
| Secondary Pipe | 5 | 58 | -0.6 | -17.7 | 20 | 290 |
| Fill Pipe | 6 | 87 | n/a | n/a | 30 | 435 |
| Electrical Conduit | 10 | 145 | -0.9 | -26.6 | 40 | 580 |
| Corrugated Duct | n/a | | | | | |

| UL971 Pipes | | | | | | |
|--------------------|-----|----|------|-------|----|-----|
| Primary Pipe | 6.2 | 90 | -0.9 | -26.6 | 40 | 580 |
| Un-Lined Vent Pipe | 4 | 58 | -0.6 | -17.7 | 20 | 290 |

BEND RADIUS

Q: Because UPP® is semi-rigid, what Bend Radius is possible during installation?

A: This is largely temperature dependent, but in general you may use these values for single or double wall UPP® delivered as coils:

| | | 50 mm | 63 mm | 90 mm | 110 mm |
|-------------------|--------|--------|-------|-------|--------|
| Warm weather | 15 x Ø | 80 cm | 1 m | 1.5 m | 3 m |
| Cold weather | 25 x Ø | 140 cm | 1.6 m | 2.5 m | 4 m |
| Very Cold weather | 35 x Ø | 190 cm | 2.2 m | 3.5 m | 5 m |

For UPP® in 5.8 m straight lengths welded together and then curved to suit the required layout you can expect:

| | | 50 mm | 63 mm | 90 mm | 110 mm |
|-------------------|--------|-------|-------|-------|--------|
| Warm weather | 30 x Ø | 1.5 m | 2 m | 3 m | 4 m |
| Cold weather | 60 x Ø | 3 m | 3 m | 5 m | 6 m |
| Very Cold weather | 80 x Ø | 4 m | 4 m | 7 m | 8 m |

INTERSTITIAL VOLUME

When using leak detection equipment it is often necessary to know the interstitial volume of double wall pipes to decide the amount of compressed gas or type of pumped detection unit required. Below are the volumes per metre of UPP® pipework.

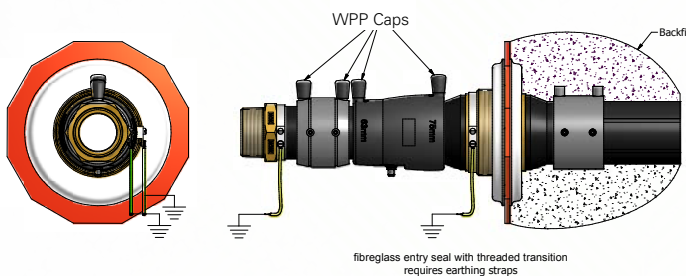
| Double Wall Pipe | | | | | | | |
|---------------------|---------|---------|---------|----------|-----------|----------|-----------|
| Interstitial Volume | 40/32mm | 63/50mm | 75/63mm | 110/90mm | 125/110mm | 160/90mm | 160/110mm |
| | (1") | (1½") | (2") | (3") | (4") | (3") | (4") |
| Litres / m | 0.24 | 0.66 | 0.62 | 2.15 | 0.97 | 10.79 | 7.64 |
| Cubic Inches / ft | 4.40 | 12.29 | 11.52 | 39.93 | 18.01 | 200.73 | 142.12 |

| UL971 Double Wall Pipe | | | | |
|------------------------|---------|---------|----------|-----------|
| Interstitial Volume | 63/50mm | 75/63mm | 110/90mm | 125/110mm |
| | (1½") | (2") | (3") | (4") |
| Litres / m | 0.12 | 0.13 | 1.41 | 0.45 |
| Cubic Inches / ft | 2.25 | 2.43 | 26.21 | 8.35 |

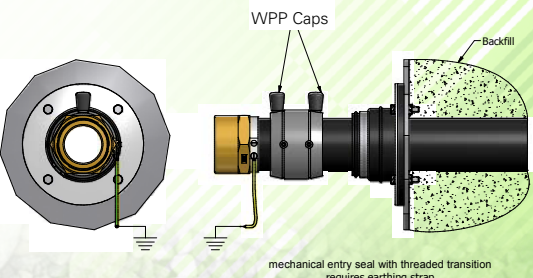
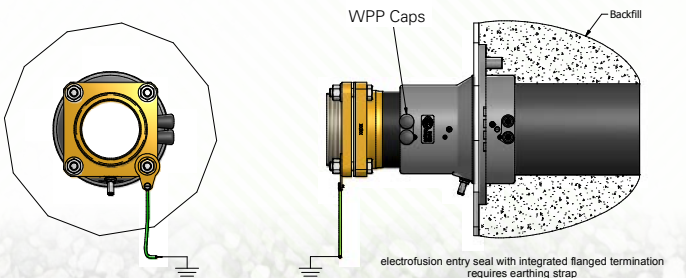
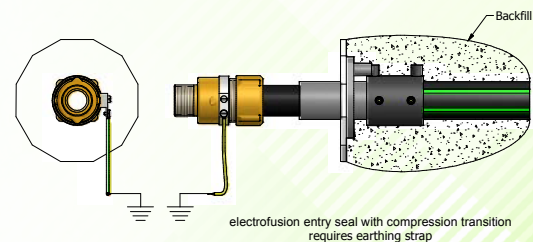
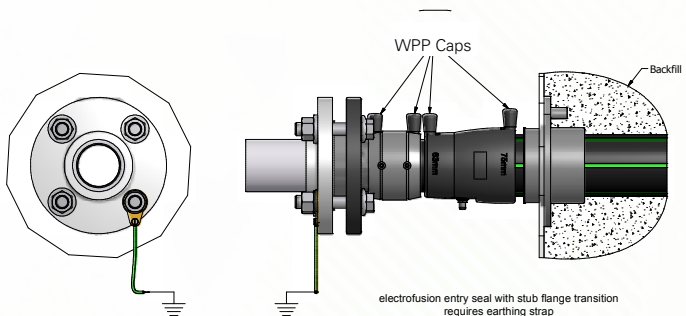
ELECTROFUSION SAFETY

- UPP® Welding Units must never be operated in Zone 1 or Zone 0 areas (Hazardous area definitions are from IP Model Code of Safe Practice Part 15 and are available in the APEA Blue Book 2nd Edition).
- UPP® Welding units are suitable for use in Zone 2 areas with just the welding leads and fitting being welded positioned in a Zone1 area.
- Ensure Welding Units are connected to a power supply that meets the requirements detailed in the user manual and are within the requirements of any local authority or regional legislation.
- UPP® piping complies with all the requirements imposed by EN14125:2013 concerning electrostatic safety.
- The risk assessment against electrostatic hazard has demonstrated that the use of insulating material such as that used in UPP® piping results in a safe choice.
- The safety of UPP® systems rely upon the small capacitance and hence the small energy that they can accumulate. This energy, has been demonstrated to be well below the Minimum Ignition Energy or MIE required to ignite petrol or alcohol blended fuel
- Extensive studies simulating fuel flow situations much more severe than what can be found in underground pipework at petrol filling stations have demonstrated that UPP® pipe cannot be a source of spark ignition. For this reason UPP® pipe can be considered an inherently safe system with respect to the electrostatic risk
- The most important recommendation, common to any type of piping system is to connect safely to ground all metallic components. Metallic components, and more general conductive materials, thanks to their high capacitance can have the potential to store high amount of electrostatic energy (sparks discharge can only be observed over conductive elements).
- All exposed metal parts used in UPP® System installations should be adequately grounded to a dedicated earth electrode and brought to a potential equal to that of other metal parts in the close proximity.

All UPP® metal transition fittings in the fill box, at the tank top and under the dispenser should be adequately earthed according to local electrical regulations. If in doubt the resistance of grounding should be $\geq 100k\Omega \leq 1M\Omega$. Earthing cables should be plastic covered copper conductors of at least 4mm² cross sectional area and should be connected to an exclusive earth electrode.



Note: The metal fittings at the tank manhole should be at equal potential so additional cables may be required to interconnect the metal fittings.
The drawings show how to ground various types of UPP® metal transition fittings:



WELD PIN PROTECTION CAPS

Paragraph 5.6.2 of EN 14125:2004 requires that the terminal pins of electro-fusion couplers which are not buried in the ground shall be closed with plastic caps. The purpose is to prevent any perceived risk of ignition hazard resulting from a static electricity discharge in accordance with EN 14125:2004.

Franklin Fueling Systems Ltd has designed a multi-purpose cap to suit all electro-fusion fittings in the UPP® System range. The design and materials have been third-party tested and certified as fit-for-purpose.

The caps are only required to be fitted when the coupler is in air (not buried) and when an explosive atmosphere is or may be present, i.e. inside chambers & sumps which are classified as Zone 0, 1 or 2.

- Refer to IP 15 - IP Model Code of Safe Practice Part 15 Area classification code for installations handling flammable fluids, 2nd edition - for a definition of these hazardous areas.

Weld Pin Protection Caps are compatible with all UPP® fusion elements such as those for primary and secondary pipework and electro-fusion entry seals. The UPP® System Weld Pin Protection Caps have the same fuel resistance as UPP® containment products in which they are designed to be used.

1. Caps should be fitted AFTER tightness testing is completed.
2. Press one cap firmly over each shroud surrounding the pin.
3. Tap cap with light hammer to ensure it is fully seated.
4. Inspect all of the chamber / sump area to ensure that all unburied electro-fusion fittings have been securely fitted with Weld Pin Protection Caps.



If you wish to contact us about any of our products or services please contact the nearest Franklin Fueling Systems office. For a list of local contacts please visit franklinfuelling.com for more information.

US AND CANADA

Franklin Fueling Systems
3760 Marsh Rd.
Madison, Wisconsin
53718, USA
T: +1 800 225 9787
F: +1 608 838 6433

UK

Franklin Fueling Systems Limited
Olympus Close, Whitehouse Industrial Estate,
Ipswich, Suffolk,
IP1 5LN, UK
T: +44 (0)1473 243 300
F: +44 (0)1473 243 301

EUROPE

Franklin Fueling Systems GmbH
Rudolf-Diesel-Str. 20,
54516, Wittlich,
Germany
T: +49 6571 105 380
F: +49 6571 105 510

AUSTRALIA

Franklin Fueling Systems Australia
21 Aristoc Road - PO Box 47
Glen Waverley, Vic 3150
Australia
T: +61 3 9550 1874
F: +61 3 95 61 94 77

CHINA

Franklin Fueling Systems (Beijing) Co., Ltd
A802, ChaoWaiMEN Centre, No. 26 Chaowai Street,
Chaoyang District,
Beijing 100020, China
T: +86 10 8565 4566
F: +86 10 8565 4766

BRAZIL

Franklin Fueling Sistemas de Combustíveis Ltda
Rua Hans Dieter Schmidt, 1.501
Zona Industrial Norte
Joinville, Santa Catarina, Brazil, 89219-504
T: +55 0800 710 0300





TOTAL SYSTEM SOLUTIONS



Franklin Fueling Systems

Franklin Fueling Systems GmbH
Rudolf-Diesel-Str. 20, 54516 Wittlich, Germany
Tel: +49-6571-105-380 • Fax: +49-6571-105-510
US/Can: +1 800 225 9787 • Mex: 001 800 738 7610
UK: +44 (0)1473 243300 • CN: +86 10 8565 4566

